

PROFESSIONAL UNITS

AQUA-BASE[®]
watermakers

by **SLCE** watermakers

Fresh water,
everywhere



www.aquabase-watermakers.com



AQUA-BASE

Fresh water, everywhere.

Aqua-Base is a brand of SLCE watermakers, a French company specializing in the design, manufacturing, and marketing of reverse osmosis water treatment systems. For over 35 years, it has been offering innovative and efficient solutions for the production of drinking, industrial, or ultra-pure water, with capacities ranging from 1 to 1500 m³ per day. Certified ISO 9001:2015, SLCE ensures reliable and high-performance products thanks to high-quality components.

Aqua-Base, known for its compact and robust units, offers ideal solutions for marine applications and small installations. The brand embodies excellence and innovation, providing



products that are easy to install and maintain, ensuring optimal performance in all circumstances.

With 80% of its production exported worldwide, SLCE meets the needs of clients in various sectors such as marine, boating, offshore, nuclear installations, and the healthcare sector. The company offers standard and customized solutions tailored to the specific requirements of each project, ensuring purified water that meets the most rigorous standards.

Thanks to its dense and efficient network of global agencies, SLCE guarantees responsive and high-quality service, from decision support to technical after-sales support.

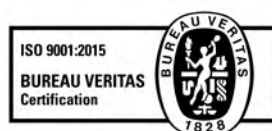
At SLCE watermakers, our commitment to continuous innovation is reflected in our philosophy 'More water, less power'. We constantly strive to improve our technologies to produce more fresh water while reducing the energy consumption of our machines.

We have just celebrated the production and installation of our 10,000th machine, a significant milestone that reflects the ongoing trust of our customers worldwide. We invite you to join us and become part of this long list of achievements.

For more information, visit:

<https://www.aquabase-watermakers.com>

<https://slce-watermakers.com>





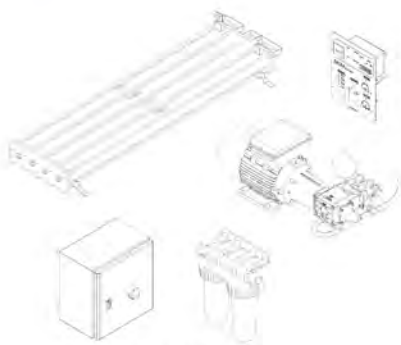
ARUBA comfort

Stemming from a heritage of more than 35 years of innovation, the ARUBA range is a benchmark of excellence for coastguards, commercial, fishing vessels and yachts.

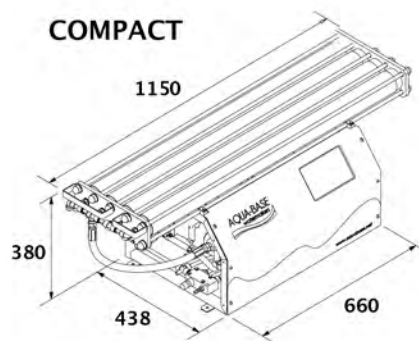
ARUBA comfort, with easy maintenance and optimum ergonomics, includes all the essentials of an heavy duty watermaker in a compact frame, using the latest proven technologies, thus offering machines that are extremely versatile.



- ✓ Heavy Duty
- ✓ Easy to use
- ✓ From 60 to 300 L/h



MODULAR



dimensions are in metrics

Capacity	Model	Voltage		Power Consumed	Weight
		Single Phase	Three Phase		
60 L/h	ARUBA 60 comfort	230 or 115 V	220, 400 or 440 V	1,5 kW	61 kg
120 L/h	ARUBA 120 comfort	230 or 115 V	220, 400 or 440 V	1,5 kW	68 kg
180 L/h	ARUBA 180 comfort	230 or 115 V	220, 400 or 440 V	2 kW	75 kg
240 L/h	ARUBA 240 comfort	230 or 115 V	220, 400 or 440 V	2 kW	82 kg
300 L/h	ARUBA 300 comfort	230 V	220, 400 or 440 V	3 kW	92 kg

Rated performance given at +/- 10% using standard seawater, with 35 g/l salinity and temperature at 25°C.

Other voltages available, please ask us.

A table of options is available at the end of the document.

ARUBA premium

Fully Automatic

The ARUBA premium is a fully automatic model with an integrated touch screen control and automatic pressure regulation. There is **no power peak at start-up**, thanks to inverter technology.



User Friendly Menu



TO REGULATE

automatically the pressure without exceeding maximum production flow.



TO PROGRAM*

the volume of water to be produced (or the production time required).



TO CONNECT

to the ship supervision and/or to an app.



(*Flushing can be fully automated, so that it flushes every time the watermaker stops



Capacity	Model	Voltage		Power Consumed	Weight
		Single Phase	Three Phase		
60 L/h	ARUBA 60 premium	230 V	220, 400 or 440 V	1,5 kW	61 kg
120 L/h	ARUBA 120 premium	230 V	220, 400 or 440 V	1,8 kW	68 kg
180 L/h	ARUBA 180 premium	230 V	220, 400 or 440 V	2,2 kW	75 kg
240 L/h	ARUBA 240 premium	230 V	220, 400 or 440 V	2,6 kW	82 kg
300 L/h	ARUBA 300 premium	230 V	220, 400 or 440 V	3,4 kW	92 kg

Rated performance given at +/- 10% using standard seawater, with 35 g/l salinity and temperature at 25°C. Other voltages available, please ask us.

A table of options is available at the end of the document.



ARUBA XL comfort

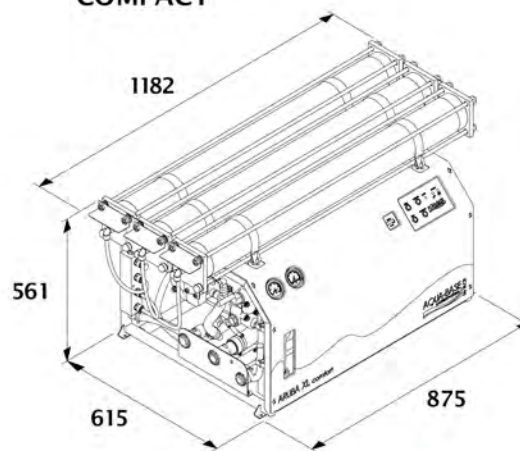
Stemming from a heritage of more than 35 years of innovation, the ARUBA XL range is a benchmark of excellence for coastguards, commercial, fishing vessels and super-yachts.

The ARUBA-XL series increases production capacity to 750 liters/hour within a very compact frame, while retaining the ease of use, maintenance and optimum ergonomics of the AQUA-BASE ARUBA.

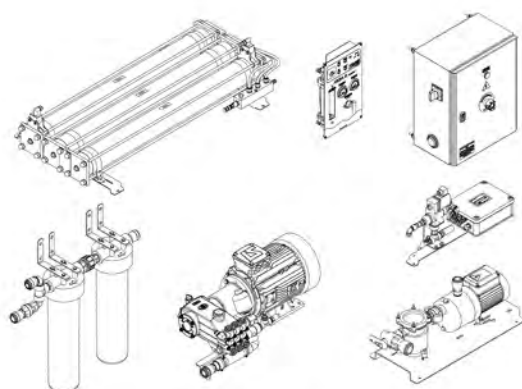


- ✓ Heavy Duty
- ✓ Easy to use
- ✓ From 450 to 750 L/h

COMPACT



dimensions are in metrics



MODULAR

Capacity	Model	Voltage Three Phase	Power Consumed	Weight
450 L/h	ARUBA XL 450 comfort	220, 400 or 440 V	5 kW	130 kg
600 L/h	ARUBA XL 600 comfort	220, 400 or 440 V	5,5 kW	142 kg
750 L/h	ARUBA XL 750 comfort	220, 400 or 440 V	6 kW	155 kg

Rated performance given at +/- 10% using standard seawater, with 35 g/l salinity and temperature at 25°C.

Other voltages available, please ask us.

A table of options is available at the end of the document.

ARUBA XL premium

Fully Automatic

The ARUBA XL premium is a fully automatic model with an integrated touch screen control, and automatic pressure regulation.

There is **no power peak at start-up**, thanks to inverter technology.



User Friendly Menu



TO REGULATE

automatically the pressure without exceeding maximum production flow.



TO PROGRAM*

the volume of water to be produced (or the production time required).



TO CONNECT

to the ship supervision and/or to an app.



(*Flushing can be fully automated, so that it flushes every time the watermaker stops

Capacity	Model	Voltage Three Phase	Power Consumed	Weight
450 L/h	ARUBA XL 450 premium	220, 400 or 440 V	5 kW	130 kg
600 L/h	ARUBA XL 600 premium	220, 400 or 440 V	5,5 kW	142 kg
750 L/h	ARUBA XL 750 premium	220, 400 or 440 V	6 kW	155 kg

Rated performance given at +/- 10% using standard seawater, with 35 g/l salinity and temperature at 25°C.

Other voltages available, please ask us.

A table of options is available at the end of the document.



SOROYA comfort

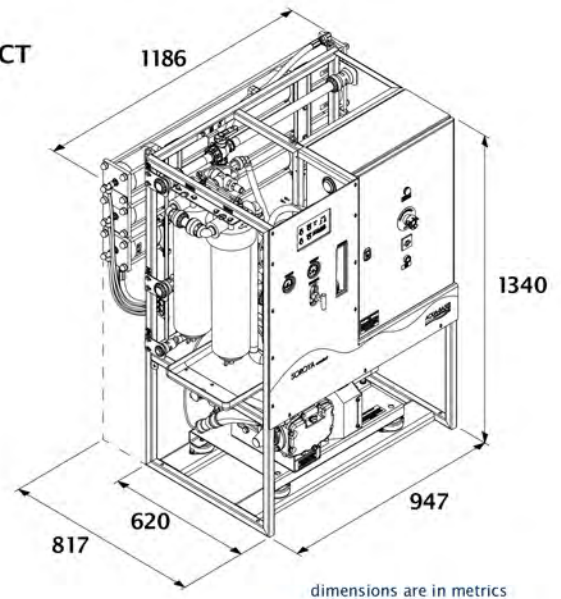
Stemming from a heritage of more than 35 years of innovation, the SOROYA range is a benchmark of excellence for coastguards, commercial, fishing vessels and mega-yachts.

SOROYA has a perfect balance between capacity and footprint. With various options available, the SOROYA can be customized to best meet the requirements of every application. With its production of up to 1.600 liters/ hour, it can meet the fresh water requirements of high-demand vessels.



- ✓ Heavy Duty
- ✓ Easy to use
- ✓ From 625 to 1600 L/h

COMPACT



dimensions are in metrics

Capacity	Model	Voltage Three Phase	Power Consumed	Weight
625 L/h	SOROYA 625 comfort	400 or 440 V	7 kW	300 kg
800 L/h	SOROYA 800 comfort	400 or 440 V	7 kW	320 kg
1000 L/h	SOROYA 1000 comfort	400 or 440 V	9 kW	420 kg
1250 L/h	SOROYA 1250 comfort	400 or 440 V	9 kW	440 kg
1600 L/h	SOROYA 1600 comfort	400 or 440 V	12 kW	460 kg

Rated performance given at +/- 10% using standard seawater, with 35 g/l salinity and temperature at 25°C.

Other voltages available, please ask us.

A table of options is available at the end of the document.

SOROYA premium

Fully automatic

The SOROYA premium is a fully automatic model with an integrated touch screen control, and automatic pressure regulation.

There is **no power peak at start-up**, thanks to inverter technology.



User Friendly Menu



TO REGULATE

automatically the pressure without exceeding maximum production flow.



TO PROGRAM*

the volume of water to be produced (or the production time required).



TO CONNECT

to the ship supervision and/or to an app.



(*Flushing can be fully automated, so that it flushes every time the watermaker stops



Capacity	Model	Voltage Three Phase	Power Consumed	Weight
625 L/h	SOROYA 625 premium	400 or 440 V	7 kW	300 kg
800 L/h	SOROYA 800 premium	400 or 440 V	7 kW	320 kg
1000 L/h	SOROYA 1000 premium	400 or 440 V	9 kW	420 kg
1250 L/h	SOROYA 1250 premium	400 or 440 V	9 kW	440 kg
1600 L/h	SOROYA 1600 premium	400 or 440 V	12 kW	460 kg

Rated performance given at +/- 10% using standard seawater, with 35 g/l salinity and temperature at 25°C.

Other voltages available, please ask us.

A table of options is available at the end of the document.

OPTIONS

Capacity	Options	comfort <i>Aruba · Aruba XL · Soroya</i>	premium <i>Aruba · Aruba XL · Soroya</i>
Maintenance	Automatic flushing	o	●
	CIP (cleaning in place)*	o	o
Remote control	Analog remote control	o	–
	Touch screen remote control	–	o
	Smartphone application	–	●
	Connection interface to main screen	o	o
Pre-filtration	Disc filter*	o	o
	Manual sand filter	o	o
	Automatic sand filter	–	o
Post-treatment	Re hardening filter	o	o
	Remineralisation	o	o
	Chlorination	o	o
	UV Filter	o	o
	2nd Pass Option for Technical Water*	o	o
Others	Heavy duty pump	o	o
	Self priming pump	o	o

- (Standard)
- o (Option available)
- (Not available)
- * (Only available on ARUBA XL and SOROYA)

Other options available, please ask us





DESCRIPTION

AUTO FLUSH	Auto flush is an automatic system that flushes the watermaker to maintain performance in the long run by extending the lifespan of components such as HP pump and membranes.
CIP	CIP (clean in place) process allows for the internal cleaning of the reverse osmosis system without disassembly, ensuring optimal performance and reducing downtime.
CONNECTION INTERFACE	Connection interface to main screen enables integration with external devices, providing real-time control and monitoring of the watermaker from the main display.
PRE-FILTRATION	Heavy duty prefiltration, particularly useful in cases of intensive use, protects the reverse osmosis system by removing larger particles and impurities, which extends the lifespan of filtration cartridges (20 and 5 microns).
RE HARDENING	Re-hardening adds minerals back into the water to raise PH.
MINERALIZATION	Mineralization adds a significant amount of minerals, in addition to adjusting the pH, it allows control over the water's hardness and alkalinity.
UV STERILISATION AND CHLORINATION	UV sterilization provides chemical-free disinfection, with effects that stop immediately after exposure.
CHLORINATION	A disinfection process that uses chlorine to kill harmful microorganisms, providing longlasting protection.
SECOND PASS	Second pass process involves running water through the reverse osmosis system a second time to achieve lower salinity levels.

AQUA-BASE[®]
watermakers



by **SLCE** watermakers

At SLCE watermakers, we believe in a future where every crew has access to reliable fresh water at sea. Our mission is to design economical, robust, and silent watermakers that meet the needs of professionals as demanding as we are about the quality of our AQUA-BASE products, supported by our global service network.

149 rue Salvador Dali
ZA de Kergouaran CS 8002 Caudan
56607 LANESTER Cedex FRANCE



Tel : +33 (0)2 97 838 888
slce@slce.net
www.aquabase-watermakers.com