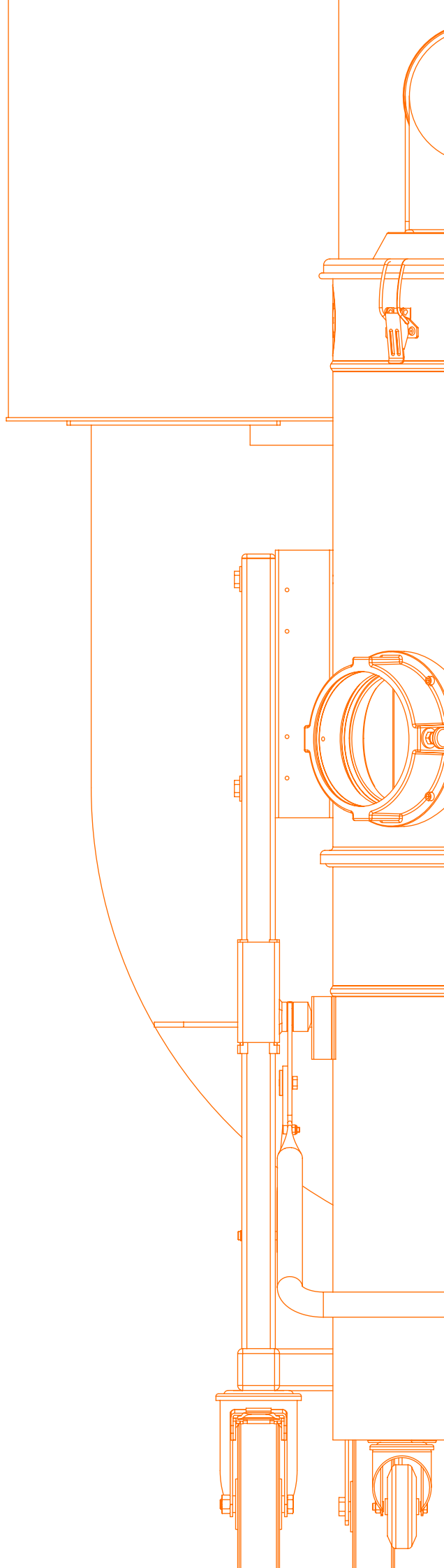




THE ITALIAN VACUUM SOLUTION

HI-TECH VACUUM

EN





iVision srl, Via Pozze, 4, 47837 Montegridolfo (RN), ITALY
Tel: +39 0541 833094 - Fax: +39 0541 205707 - sales@ivisionvacuum.com

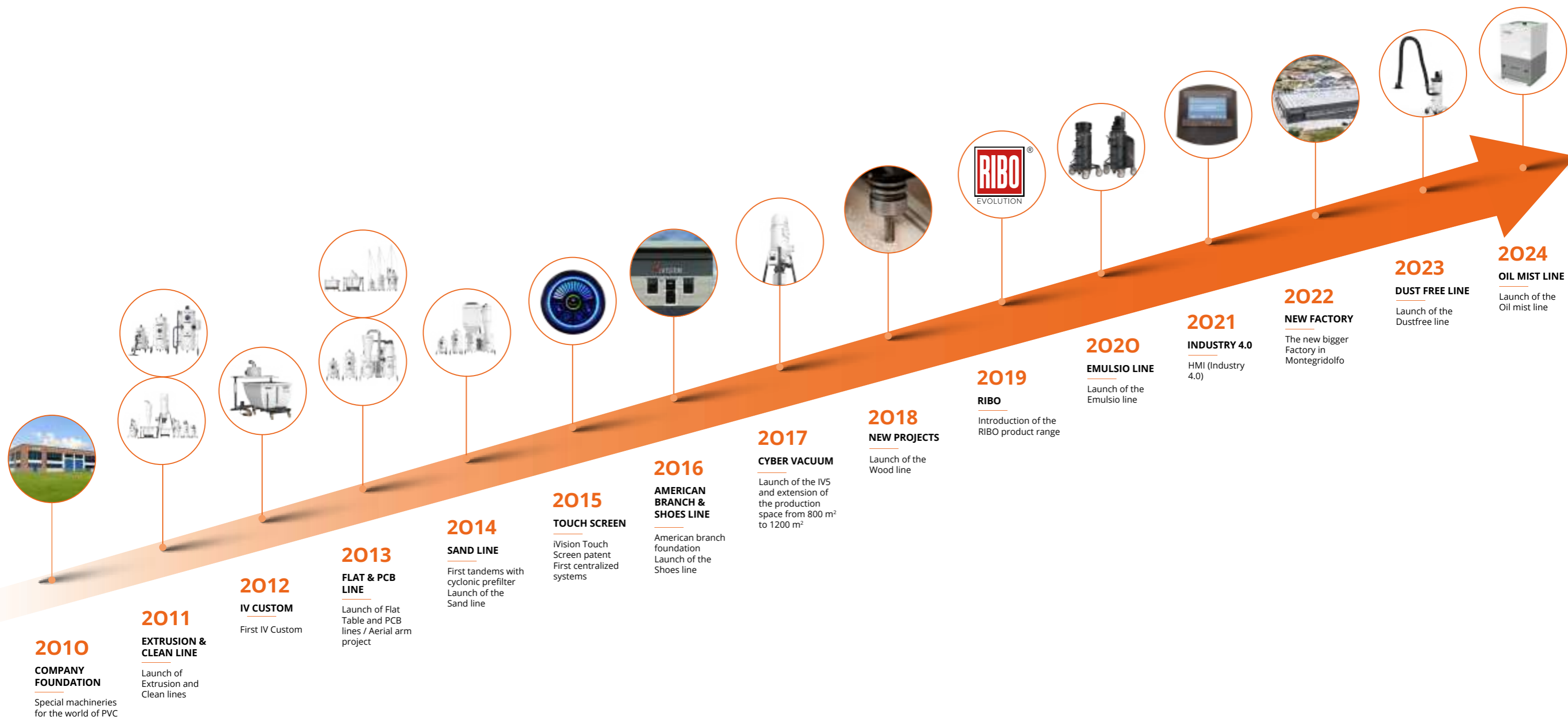
THE BEST INDUSTRIAL VACUUM CLEANERS

IVISION VACUUM

Reliability, competence and passion are the characteristics that have led iVision Vacuum to be, in just a few years, a leading company in the industrial extraction sector. Thanks to a highly qualified staff, iVision is able to respond to any kind of request in a quick and in competent manner, to help customers choose the most suitable industrial vacuum cleaner and to create customized machinery for manufacturers and retailers in an appropriate way.



IVISION VACUUM: MILESTONES



A LINE FOR EVERY APPLICATION

An optimal knowledge of the market has allowed iVision to develop specific products for each production sector:

METAL, FIBERGRASS PVC AND ALUMINUM CHIPS
LEATHER AND DUSTY SUBSTANCES
SANDBLASTING
OIL AND METAL CHIPS
CNC MILLS CHIPS
PRODUCTS FOR GENERAL INDUSTRIAL
CLEANING
OIL MIST
DUST AND FUMES





IVISION TAKES OVER RIBO'S MANAGEMENT



From January 21st, 2019, the iVision Group, leader in the sector, takes over in the management of RIBO.

The arrival of the iVision group will guarantee the historic brand from Bologna, the resumption of full operations, the continuity in supplies and a qualified technical assistance.

The union between the know-how of the most innovative company and that with more history will produce better products and services, development and research, consolidating and increasing their respective market positions.



BORN IN 1968

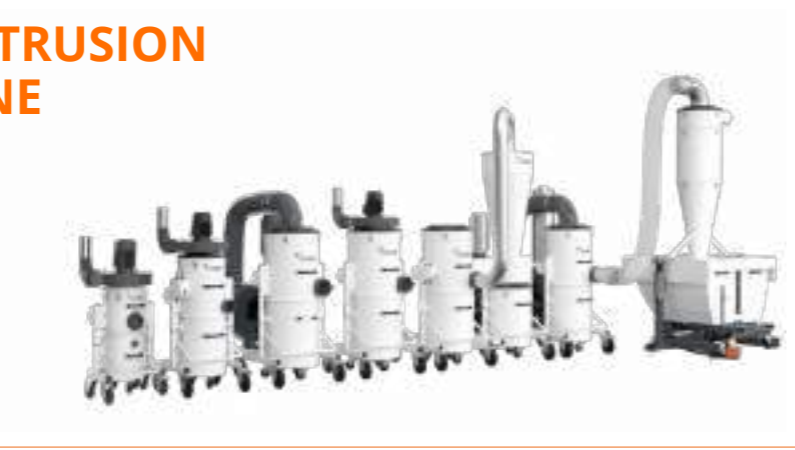
NOWADAYS...



PRODUCTS



 **EXTRUSION
LINE**



 **EMULSION
LINE**



 **WOOD
LINE**



PRODUCTS



 **CLEAN
LINE**



 **FLAT TABLE
LINE**



 **PCB
LINE**





PRODUCTS



 **SAND
LINE**



PRODUCTS



 **DUSTFREE
LINE**



 **SHOES
LINE**



 **OIL MIST
LINE**





LOVE FOR INNOVATION



A success story, based on competence, reliability and passion, has allowed the company to look ahead and develop its machinery in view of an increasingly advanced technology.

We are the only company on the market that offers innovative and exclusive patents such as the Touchscreen, with which the vacuum cleaner can be connected to the company network; this gives the company the opportunity to qualify for industry 4.0.

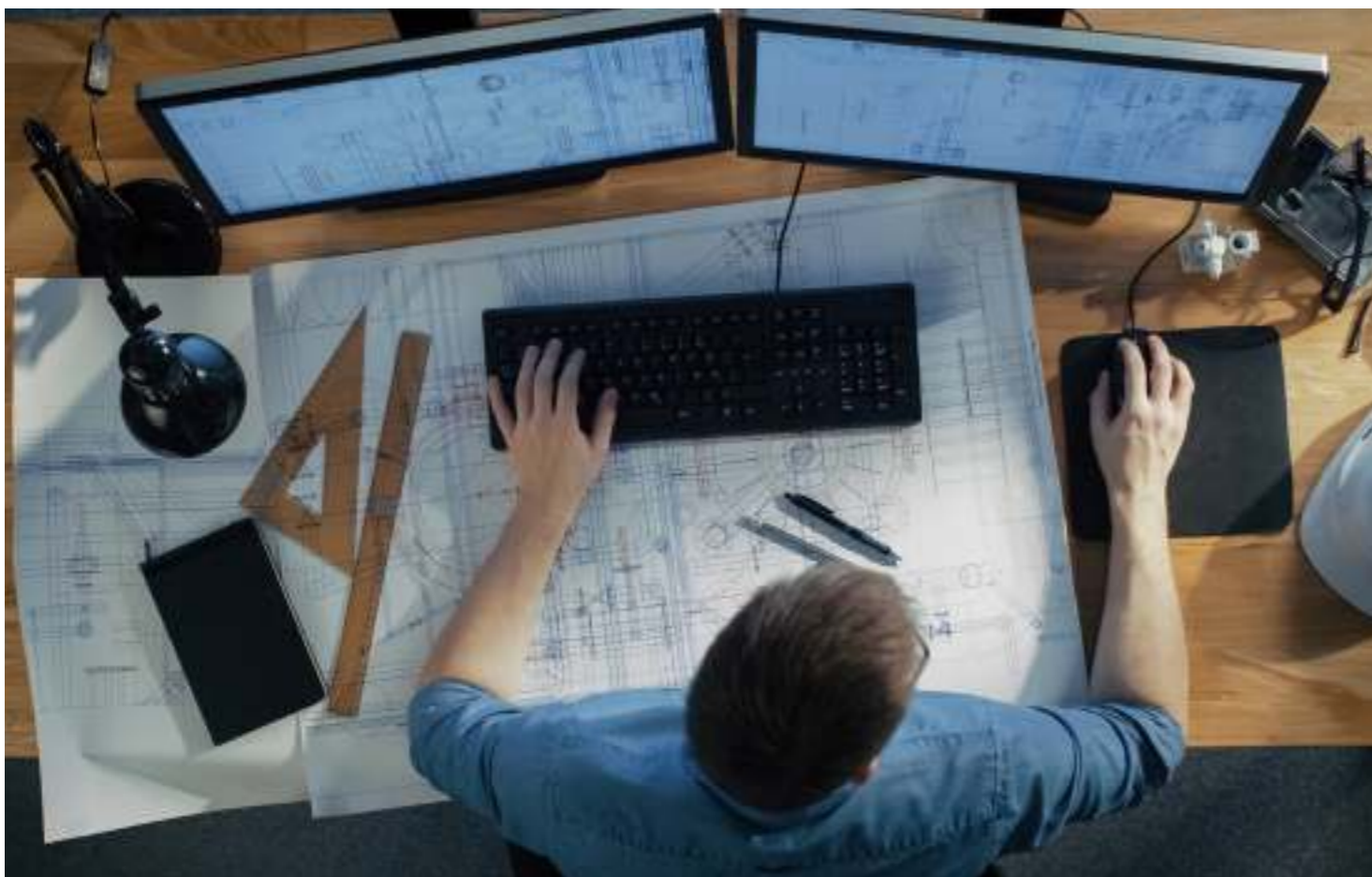
PERFECTION IN EVERY DETAIL



All iVision vacuum cleaners are **CE CERTIFIED**. They can also be supplied with ATEX certification upon request. The filtration classes available are L, M and H



OUR SECRET TO SUCCESS



THE ADVANTAGES OF A COLLABORATION WITH IVISION

- For the customers of our business partners iVision, as a small company, represents a significant advantage: each situation is thoroughly studied by our scrupulous technicians to guarantee a specialized solution for the customer, not only in terms of colors, logos, voltage and power of the engine. In fact, we can also realize completely newly specialized suction systems, which can satisfy both the needs of small craftsmen and those of industry 4.0.
- The love for design, the careful study of details, the use of robust materials and the production of a simple but powerful product are the characteristics of a complete "Made in Italy" quality product.
- The collection bins of 38, 100, 160, 500 and 1000 liters and the possibility of continuous chips discharge make our vacuum cleaners the perfect solutions for each industrial requirement.

AMERICAN BRANCH



IVISION VACUUM LLC

After increasing its sales network in the USA, iVision consolidates its presence in the American market by inaugurating the opening of an American branch in Fort Lauderdale. Created with the aim of designing new strategic assets, directly managing commercial activities at a local level and providing complete sales assistance, it contains a showroom where customers can touch the quality and innovation of the iVision products.

IVISION, ITALIAN EXCELLENCE IN THE WORLD!



OUR NUMBERS

+15000

Vacuum cleaners sold

35

Nations in which
we are present

25

Years of
experience in the
industrial sector

REFERENCE LIST



REFERENCE LIST

	HEXCEL COMPOSITES	Composites industry
	EMMEGI	Metalworking
	UNIVERSITÉ LORRAINE	University
	MECANUMERIC	Metalworking
	PALAGINA S.r.L.	Furniture
	URBAN Gmbh	Metalworking
	SCHMOLL MASCHINEN	Metalworking
	VILED A	Chemical
	BONDUELLE	Food
	MASTERTENT	Furniture
	OCEAN MACHINERY	Metalworking
	PLURITEC	Manufacturing
	FABRICA MACHINALE	Metalworking
	VALENTINO SHOES LAB	Footwear industry
	NOBENTO	Furniture
	DUCA AG	Construction industry
	PREZEZZI EXTRUSION GROUP	Metalworking
	SCRIGNO S.P.A.	Furniture
	GRAF SYNERGY	Metalworking
	ELCO S.P.A.	Metalworking
	ELUMATEC	Metalworking
	TRONZADORAS	Metalworking
	HYDRO HUNGARY	Metalworking
	FEDRIGONI S.p.A.	Paper industry

	L'OREAL	Cosmetics
	TRENITALIA S.p.A.	Transportation
	SEGAFREDO-ZANETTI S.P.A.	Food
	FERRARI S.P.A.	Automotive
	PARMALAT spa	Food
	HEINZ ITALIA S.P.A.	Transportation
	HENKEL	Chemical
	DUCATI MOTOR HOLDING S.P.A.	Automotive
	BARILLA GROUP	Food
	BAYER S.P.A.	Pharmaceutical
	FERRERO S.P.A.	Food
	MASERATI S.R.L.	Automotive
	NESTLÉ ITALIANA S.P.A.	Food
	SIEMENS S.P.A.	Engineering
	SMITH KLINE & FRENCH S.P.A.	Pharmaceutical
	JAGUAR	Automotive
	LEONARDO AERONAUTICA	Aerospace
	LATTERIA SORESINA	Food



A GREAT PROJECT: IVISION GROUP



iVision Group

Innovative industrial vacuum systems: the perfect solution for the cleaning of machine tools. iVision has developed a highly technological, flexible and modular product that can be customized for every need.

iVision Vacuum

iVision is the new emerging reference point in the cleaning and industrial vacuuming sector. A success that is the result of great competence, reliability and passion for innovation.

iVision Communication

It is inspired by the love of Andrea Alessandrini, founder of iVision Vacuum, for communication, and is born as an internal promotion office. Success after success, it has become an independent communication agency that deals with visual communication for various companies: from small and medium-sized businesses to large spa.

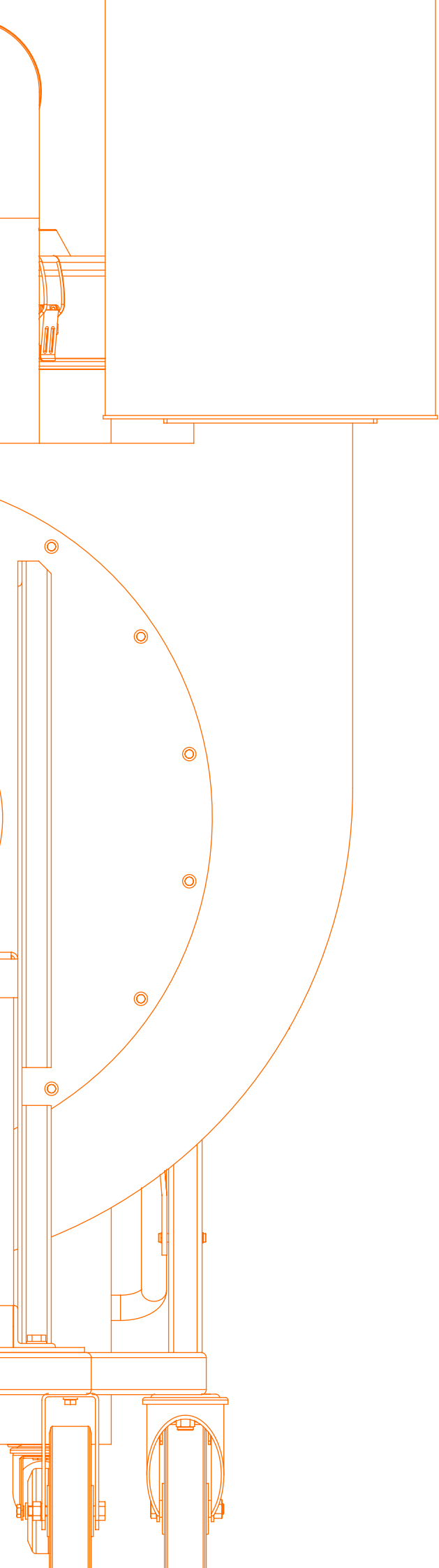
iVision Evolution

Innovative start-up, it was born with the aim of researching cutting-edge technologies and materials that improve the quality and functionality of the mechatronic products. Our team of mechanical and industrial engineers works every day with passion and professionalism to propose ad hoc solutions to those who want maximum effectiveness and intuitive user experience for their product.

Ribo Evolution

RIBO is the historic company in the industrial vacuum sector, with over 50 years of experience and customers all over the world, has built its success on the reliability and strength of its machines. Since 2019 it has joined the iVision Group: now history and innovation are allies.





iVision Srl
Via Pozze, 4, 47837
Montegridolfo (RN)
Italy
Reg. Imprese di Rimini
R.E.A. 313675
C.F. e P.I. 03860600406
Capitale sociale 20.000 Euro i.v.
T. +39. 0541. 833094
sales@ivisionvacuum.com



ivisionvacuum.com