

thermal insulation, anti-condensation  
and corrosion protection

# DECICOAT T35



**Pyrotek**<sup>®</sup>

SOUNDPROOFING SOLUTIONS FOR ALL INDUSTRIES  
[pyroteknc.com](http://pyroteknc.com)



## SEAMLESS INSTALLATION - CONTROLS THERMAL BRIDGING

Thermal bridges are pathways for heat transfer, typically caused when insulation is not continuous. Being sprayable, Decicoat T35 bonds flush around uneven surfaces, tight areas and provides 100% coverage even around mechanical assemblies. This reduces the occurrence and impact of thermal bridging where even high performance foam insulation systems with radiant barrier faces fail.

Decicoat® T35 is a one-part, water based thermal insulation coating, specially formulated to provide excellent properties for anti-condensation and protection from corrosion under insulation (CUI).

## LIGHTWEIGHT AND SPRAYABLE

It's a lightweight acrylic system, with excellent adhesion and non-sag formulation. It can be easily and quickly sprayed like paint with a range of spray systems.

## THERMAL PROPERTIES

Decicoat T35 provides the benefits of both good thermal resistance (R value) and acts as a good radiant barrier (low emissivity). It controls both, rapid heat dissipation and heat absorption and exhibits increased performance with additional coatings thereby offering weight and space efficiency.

## APPLICATIONS

- Marine vessels - interiors of structures and hulls in workboats, luxury yachts and super-liners etc
- Off-shore platforms - interior structures of habitable areas
- Industrial: the underside of metal deck roofing and metal wall cladding
- Automotive: heavy vehicles, buses, trailers, tractors.
- Rail cars: applied in conjunction with traditional fibrous or foam insulation to improve overall thermal insulation systems
- Domestic: pipes, walls, interiors
- Applications exposed to high humidity and temperature fluctuations

## FIRE CERTIFICATION

Decicoat T35 achieves a wheelmark and complies with stringent international fire standards for building, industrial, rail and marine applications. It is low VOC and near odourless.





### PREVENTS CONDENSATION

When thermal conduction takes place through a substrate, condensation occurs on the surface, when its temperature reaches the 'dew-point' threshold. i.e. the point of onset of condensation. Decicoat T35 has proven low thermal conductivity and permeability properties. When used on substrates exposed to high humidity or temperature variations, it inhibits thermal transfer and effectively regulates the temperature of the substrate surface to remain above the dew-point threshold, thereby preventing the onset of condensation.

### PREVENTING CORROSION

Corrosion is a chemical and physical change that occurs in a material due to its interaction with its environment. Decicoat T35 provides a protective coating to metallic substrates, aiding in the prevention of condensation. Condensation can typically act as an electrolyte as part of galvanic corrosion. It will also cause dissolution of chloride and sulfide ion contaminants that exacerbate the corrosion process.

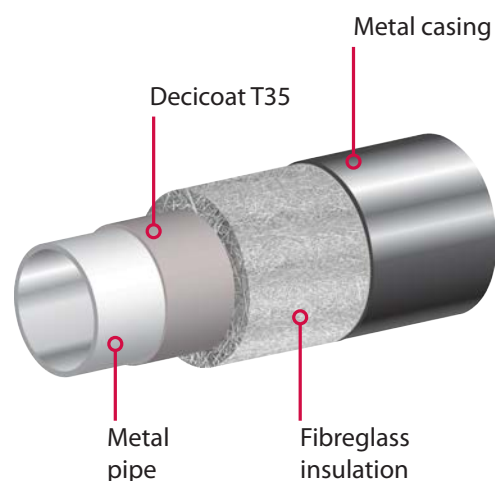
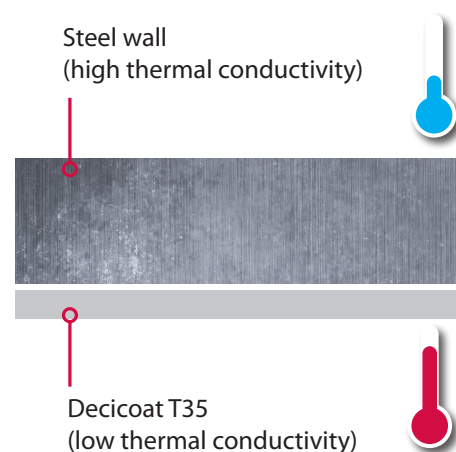
Decicoat T35 is formulated for ease of installation by spray application, directly onto ferrous and nonferrous surfaces.

### INHIBITS CORROSION UNDER INSULATION (CUI)

Chemical contaminants typically found in materials such as glass wool or mineral fibre react with moisture trapped in the air gaps, under poorly installed insulation, to form an acidic reaction which corrodes the metallic substrate.

Corrosion under Insulation (CUI), is difficult to detect and treat in situ, and leads to degradation and reduced performance of the system over a period of time.

In eliminating the occurrence of thermal bridging, Decicoat T35 inhibits CUI and enhances the durability of such insulation systems. It maintains the overall thermal performance of the system besides offering a weight, space, cost and time efficient solution.







pyroteknc.com

#### PYROTEK WORLDWIDE LOCATIONS

AUSTRALIA

CANADA

CHINA

CZECH REPUBLIC

HONG KONG

INDIA

INDONESIA

JAPAN

KOREA

MALAYSIA

SINGAPORE

NEW ZEALAND

TAIWAN

THAILAND

TURKEY

UNITED ARAB EMIRATES

UNITED KINGDOM

UNITED STATES OF AMERICA

VIETNAM

#### CONTACT DETAILS

for further information and  
contact details, please visit  
our website at [pyroteknc.com](http://pyroteknc.com)

Pyrotek endorse forest sustainability and the preservation of natural environment. We procure the highest quality materials from suppliers who hold FSC (Forest Stewardship Council) Certification and PEFC (Programme for the Endorsement of Forestry Certification) amongst other certification programmes.

Caveats: Specifications are subject to change without notice. The data in this document are typical of average values based on tests by independent laboratories or by the manufacturer and are indicative only. Materials must be tested under intended service conditions to determine their suitability for purpose. The conclusions drawn from acoustic test results are as interpreted by qualified independent testing authorities. Nothing here releases the purchaser/user from responsibility to determine the suitability of the product for their project needs. Always seek the opinion of your acoustic or mechanical engineer on data presented by the manufacturer. Due to the wide variety of individual projects, Pyrotek NC is not responsible for differing outcomes from using their products. Pyrotek disclaims any liability for damages or consequential loss as a result of reliance solely on the information presented. No warranty is made that the use of this information or of the products, processes or equipment to which this Information Page refers will not infringe any third party's patents or rights. DISCLAIMER: This document is covered by Pyrotek standard Disclaimer, Warranty and © Copyright clauses. See [www.pyroteknc.com/disclaimer](http://www.pyroteknc.com/disclaimer).

