



With sunshade and infrared illuminator

CI-701W

Wiper Enclosure

CI-701W is IP66 weatherproof with wiper housing controlled by camera's DI/DO
With intelligent technology for wiper protection while facing obstruction or signal failure



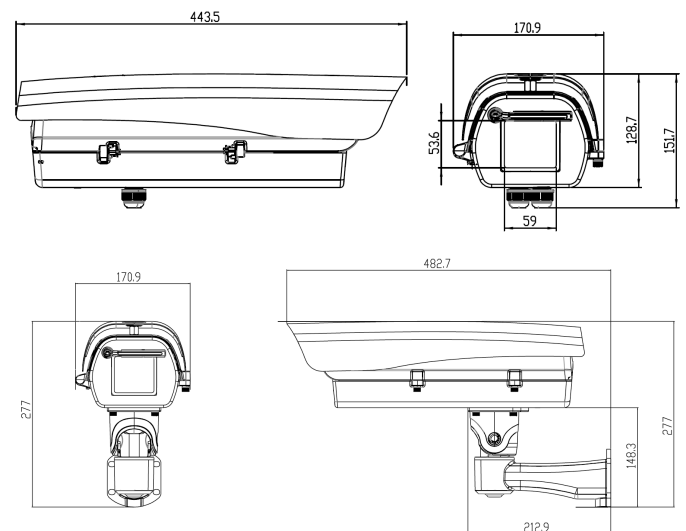
Certificated: IP66 – ROHS – IK10-NEMA4X-CE-FCC

Technical Specifications

Viewing Window	Tempered glass with one side AS coating (Anti-Smudge), another side with AR coating (Anti-Reflective Coating)
Construction	Die casting Al-alloy
Latch	Dual side locking by stainless screws
Camera Mounting	Adjustable camera metal sled
Sunshade (option)	Adjustable aluminum construction
Heater	Powerful heater (20W) with Window defogging heater (9.5W), total 29.5W 15°C On, 25°C Off for input model: 24VAC, 24VDC, 12VDC, PoE 4°C On, 15°C Off for input model 96~264VAC
Fan (option)	35°C On, 25°C Off (1.8W)
Power Input (option)	24VAC/ 12VDC/ 24VDC/ PoE/ 96~264VAC
Wiper protection	Wiper return to default position setting when signal lost. Wiper systems shut down automatically if any obstruction.

Stepper Motor	DC12V, 8W
Coating	White epoxy powder coating
Operating Temperature	-40°C ~ -50°C (with Mounting plate heater and Window defogging heater)
External Dimensions	482.7 (L) x 170.9 (W) x 277 (H) mm
Weight	Net: 2800g (with bracket)
Included Accessories	Wall bracket, screw kit

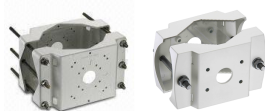
Dimension



Compatible Accessories



CI-303



CI-815/CI-808



CI-112



CI-24/CI-25