



British Made Quality Marine Fendering

ENGLISH



FLEXITEEK

Part of the Flexiteek Group

BRITISH MADE SINCE 1973

Beautifully engineered boat
fendering solutions.



PARKER

WELCOME TO WILKS

Trusted by leading global boat builders.

Wilks is one of the world's leading marine fendering and rub rail products.

Choose from a wide range of specialist profiles that can help to protect boats of every size. Our popular Click, Bump and Ali (Aluminium) ranges are easy to install and look great.

Wilks Fendering has been produced for over 50 years in the UK. It is trusted by customers and industries worldwide to provide quality products to tackle various problems, from preventing damage to yachts to protecting checkouts in supermarkets.

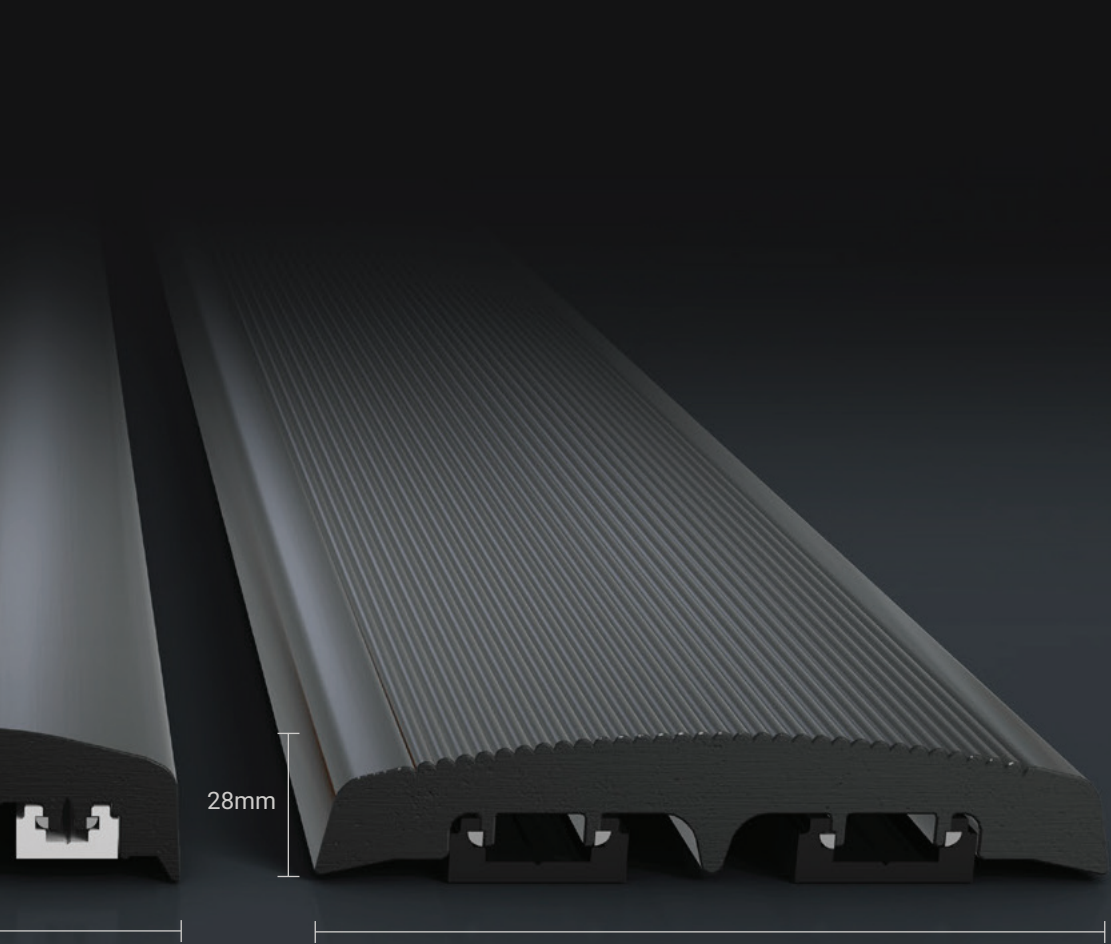


CLICK

CLICK fendering is a simple but extremely effective leisure boat fendering system. Quick and easy to fit, Click has no unsightly fixings.

AVAILABLE IN FOUR SIZES





28mm

150mm

CLICK 150

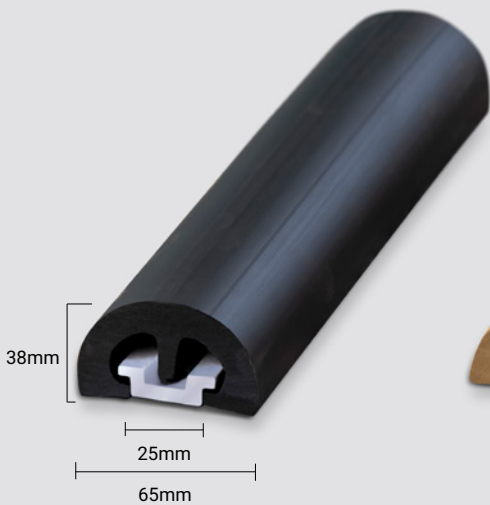
0

BUMP!

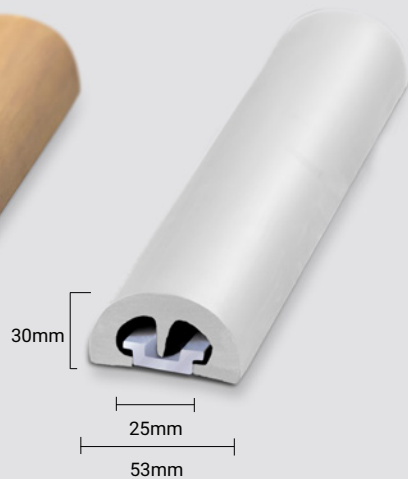
BUMP! fendering offers simple installation for many different types of boats and are able to handle curves better than a traditional D-Fender. Our Traditional option is supplied in “factory finish” ready for sanding.

BUMP! is available in both 65mm and 53mm sizes, and comes in black, white, or traditional finish.

BUMP! 65



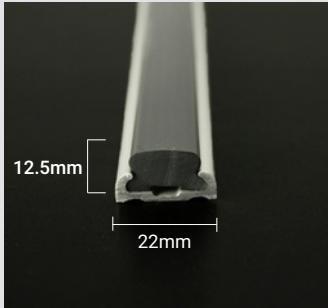
BUMP! 53



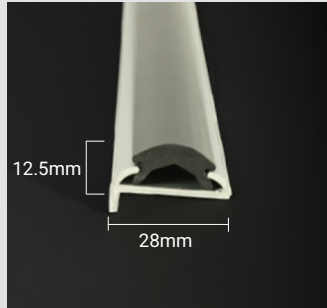


Wilks Ali range of aluminium profiles provide a classic fendering solution whilst maintaining an elegant appearance. Aluminium profiles are straightforward to install and maintain.

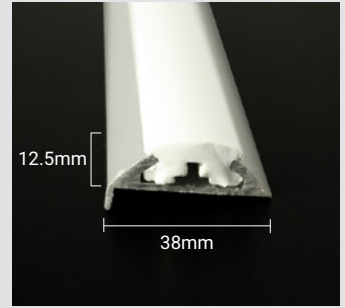
ALI 5222
(ANODISED ONLY)



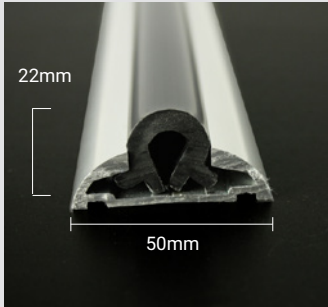
ALI 114
(ANODISED ONLY)



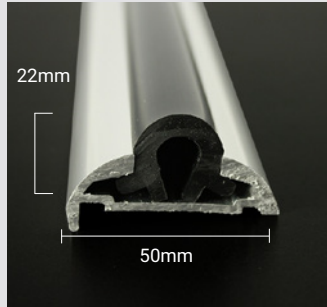
ALI 68
(ANODISED ONLY)



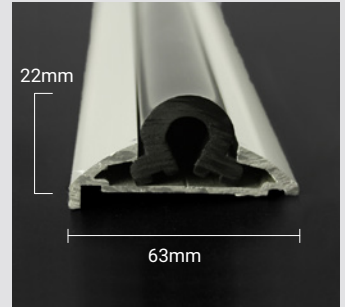
ALI 604
(ANODISED & POLISHED)



ALI 605
(ANODISED & POLISHED)

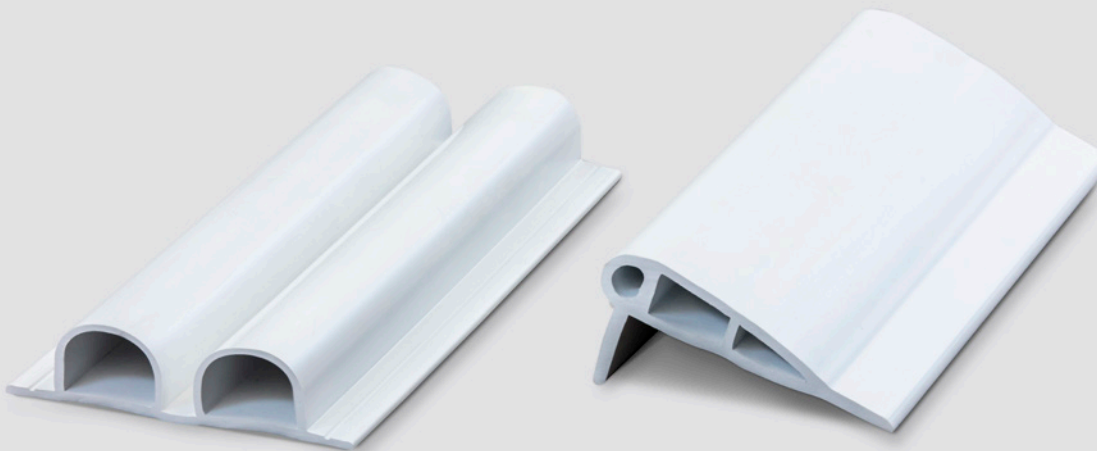


ALI 606
(ANODISED & POLISHED)



PONTOON FENDERING

Our pontoon and dock fendering profiles have been designed with ease of installation in mind. They provide lasting levels of protection over wood, with minimal maintenance.



PVC 1893

135mm Base
40mm High
(Nominal)

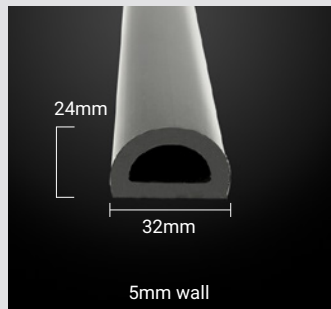
PVC 1543

117mm Base
25mm High
(Nominal)

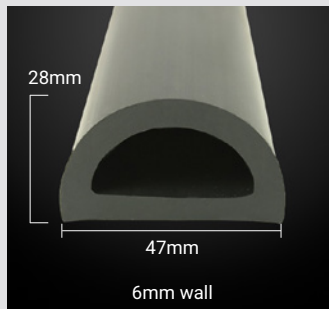
D PROFILES

The Wilks range of 'D' fender profiles provide an ideal and simple fendering solution. The 'D' fender design delivers a high level of protection, making them well suited for busy marine environments, boats and pontoons.

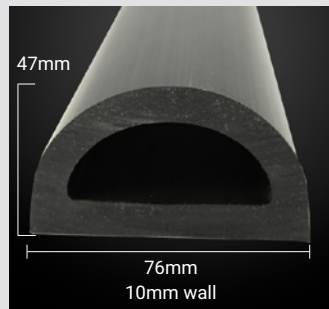
PVC 50



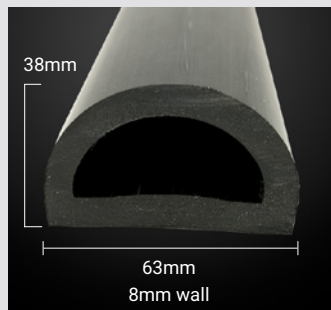
PVC 49



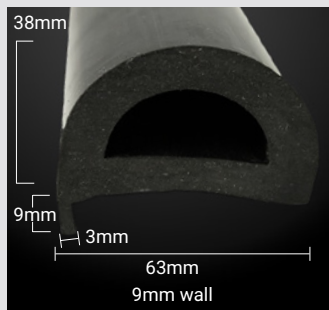
PVC 898



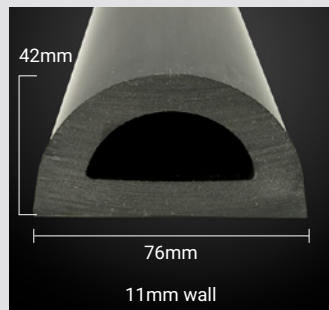
PVC 632



PVC 276



PVC 72

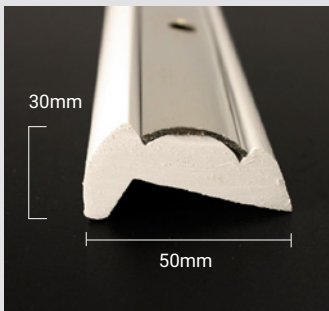


RIGID PVC

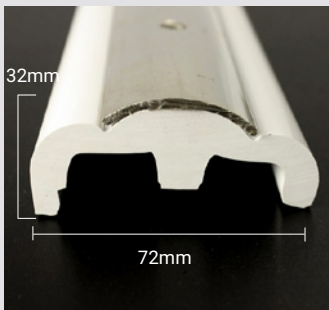
WITH STAINLESS STEEL INSERT

Stainless steel provides a contemporary look, well suited to luxury boat design.

PVC 1881R



PVC 2300R



RIGID PVC

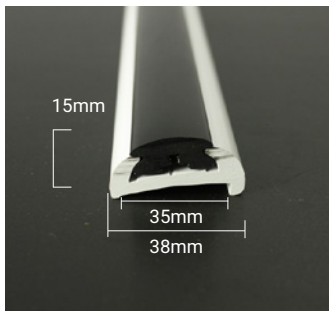
A modern alternative to our classic aluminium range, Rigid PVC fendering is great if you have slightly more challenging curves on your boat. Depending on the profile you have chosen, you have the option of PVC or a Stainless Steel insert, thus allowing your fendering to match your boat's existing design.

FLEXIBLE PVC

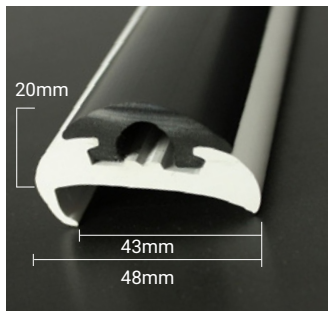
WITH INSERT

Wilks Flexible PVC profiles are a more malleable version of the popular Rigid PVC range. Made with a slightly softer material, Flexible PVC profiles are adept at handling curves and contours with precision and ease. This range is completed with a choice of colourful PVC inserts.

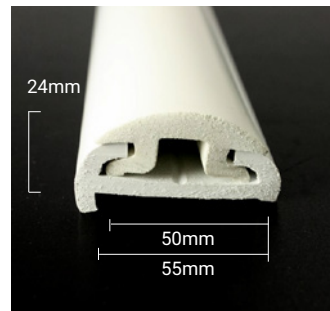
PVC 1472R



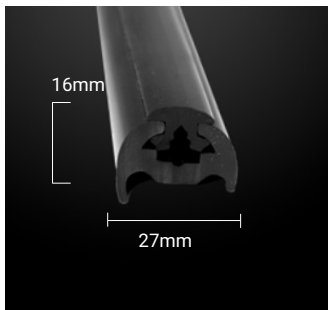
PVC 1417R



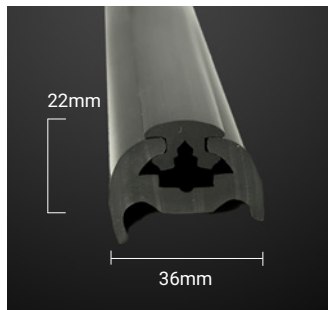
PVC 1613R



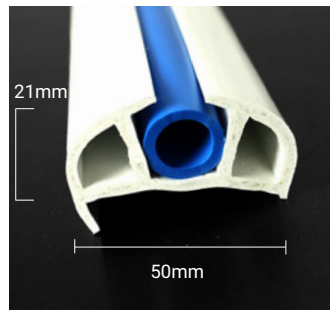
PVC 180



PVC 370



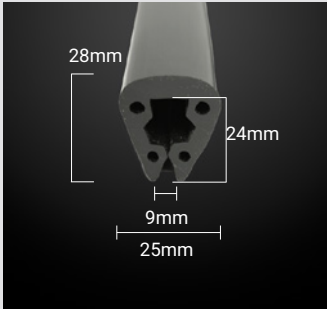
PVC 168



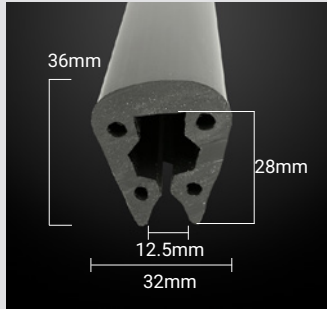
U PROFILES

The 'U' fendering range is designed to fit over a flange style hull join, in order to cover the vulnerable area. The wide array of 'U' profiles are available in various shapes, allowing for seamless integration with existing rivets or bolts on the flange.

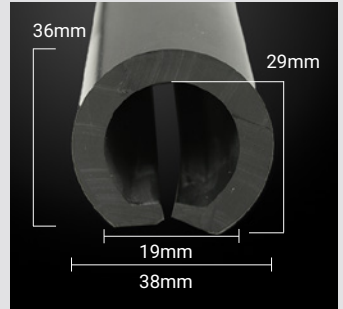
PVC 4/5



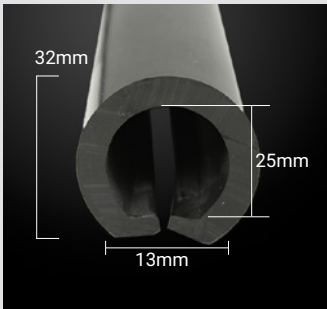
PVC 6/2



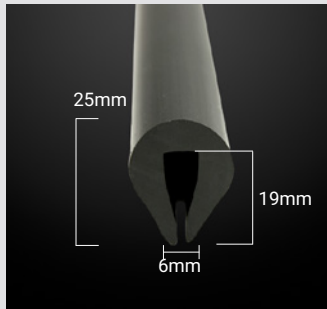
PVC 204



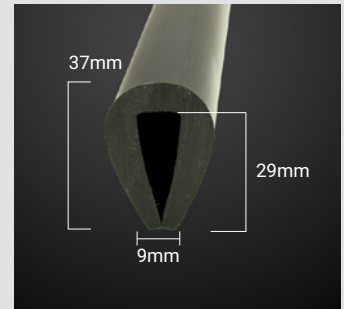
PVC 205



PVC 40



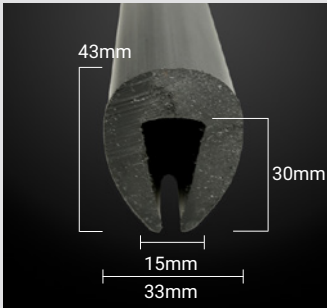
PVC 1/5



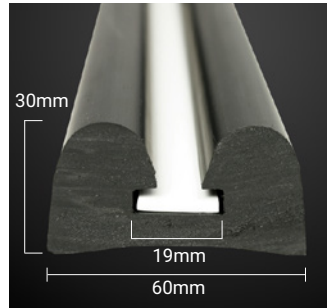
B PROFILES

'B' profiles are a change of pace from traditional 'D' fendering. Both are adept at handling more demanding marine environments, but their different shapes can completely change the visual style of the boat's design.

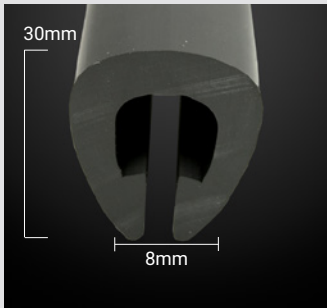
PVC 2010



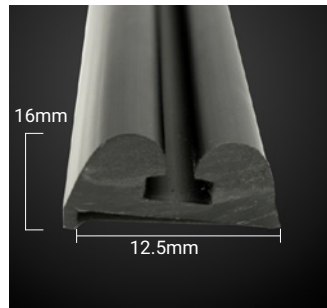
PVC 883



PVC 557



PVC 624



FLEXITEEK

Beautifully engineered synthetic decking.

FLEXITEEK TRIMS

Complement your Flexiteek synthetic decking with our range of Flexiteek Trims.

LOOKS AND FEELS LIKE WOOD

The Flexiteek Trims range is designed to both look and feel like wood. Once sanded, the finished appearance produces an attractive woodgrain effect whilst offering all the qualities of PVC to provide the ultimate alternative to wood. It also provides the sought-after low maintenance qualities of Flexiteek synthetic teak.

AVAILABLE IN ALL COLOURS

Each profile is available un-sanded in the same colour options as Flexiteek synthetic teak, providing the ultimate uniform look to your craft.

Some of the colour options require a reasonable minimum order.



CONTACT US

If you would like further information on the Wilks products featured in this brochure, we would love to hear from you.

Orders and sample requests can be placed through our website or our sales team.

Visit us : www.wilks.co.uk

Telephone : +44 (0) 1621 869609

Email : info@wilks.co.uk

Opening Hours :

Monday - Friday

09:00 - 17:00

Flexiteek International Ltd.
Woodrolfe Road, Tollesbury,
Essex, CM9 8RY, England.

DISCLAIMER

All dimensions and information shown in this brochure is to our knowledge correct at the time of distribution. They are subject to our normal manufacturing tolerances and any modifications that we feel are necessary. Whilst we have endeavoured to ensure that the information given here is true and reliable, it is given for only the guidance of our customers. It is the user's responsibility to ascertain the suitability of the products by their own tests.

"Wilks" is a registered trademark of Flexiteek International Ltd.

No part of this brochure may be reproduced without the express permission of Flexiteek International Ltd.



Part of the Flexiteek Group.

CONTACT US

T +44 (0) 1621 869609
E sales@wilks.co.uk
W www.wilks.co.uk
W www.flexiteek.com
A Woodrolfe Rd, Tollesbury,
Essex, CM9 8RY, England

FLEXITEEK

Beautifully engineered synthetic decking
and marine products.