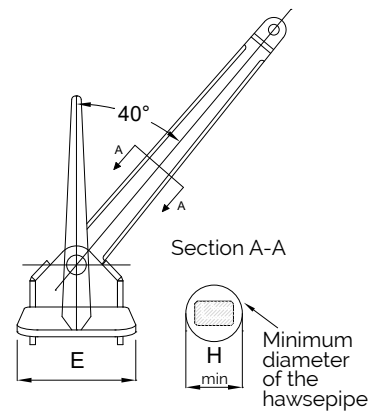
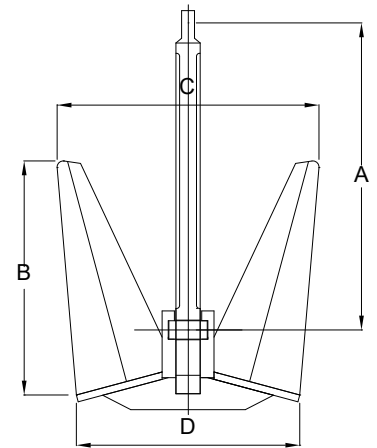


HV Fully Balanced High Holding Power Anchor

Weight Kg	A mm	B mm	Cmm	Dmm	Emm	Hmm
24	476	262	406	347	186	84
48	600	330	512	437	235	106
60	646	356	551	471	253	114
80	711	391	607	518	279	125
90	740	407	631	539	290	130
105	779	429	664	567	305	137
120	814	448	695	593	319	143
125	826	454	704	601	323	145
136	849	467	724	618	332	149
145	867	477	740	632	340	153
160	896	493	765	653	351	158
180	932	513	795	679	365	164
200	966	531	824	703	378	170
225	1004	553	857	731	393	177
270	1067	587	910	777	418	188
315	1123	618	958	818	440	198
360	1175	646	1002	855	460	207
400	1217	669	1038	886	476	214
480	1293	711	1103	941	506	228
585	1381	760	1178	1005	541	243
750	1500	825	1280	1092	587	264
900	1594	877	1360	1161	624	281
1195	1752	964	1495	1276	686	308
1305	1804	993	1539	1314	706	318
1500	1890	1040	1612	1376	740	333
1710	1974	1086	1684	1437	773	348
1980	2073	1141	1769	1509	812	365
2140	2128	1171	1815	1549	833	375
2475	2233	1229	1905	1626	874	393
2840	2338	1287	1995	1702	915	412
3240	2443	1344	2084	1779	956	430
3670	2547	1401	2173	1854	997	448
4000	2621	1442	2236	1908	1026	461
4950	2814	1548	2400	2049	1102	495



Custom:

We can customize your anchor as you like.

HV Fully Balanced High Holding Power Anchor

The HV® balanced anchor is suitable for any type of seabed and works perfectly, it is the queen of welded anchors.

High Holding Power (HHP) anchors allow for a 25% reduction in weight compared to a mass anchor.

Unbalanced and Fully balanced anchors

Possible **10% shortened shaft**.

Now it is also **available with a base plate** that allows for the possibility of a retractable mooring area on board for total comfort during navigation.

Available in the following **executions**:

- Specific painting
- Hot-dip galvanized
- Super yacht execution
- Mirror polished Duplex Stainless Steel

Certifications:

