

Dinghy Davits

RapiX 450



Smooth operation.

The most "easy to operate" manual davit available



RapiX 450: The Ultimate Solution for Easy Dinghy and Jet-Ski handling

The **RapiX 450** is designed to make it effortless to get a dinghy, RIB, or jet-ski onto the bathing platform. It is easy to operate, handles high loads, and is made from the highest quality marine materials.

Key Features:

- **High Load Capacity and low weight:** Supports up to 1000 lbs (450 kg), accommodating all models of Jet Ski and inflatable dinghies. Weight still only around 66 lbs (30kg).
- **Durable Frame:** Constructed from marine aluminum (AW-5083 and AW-6082), the same quality used in fast ferry vessels, ensuring superb corrosion resistance.
- **Gentle Handling:** Strong PE side panels and rails make it easy to slide the dinghy while being gentle on the hull surface.
- **Innovative Support Stop:** A 47° support stop simplifies hauling by eliminating the need to hold the unit at an angle while hauling.
- **Adjustable Bow Roller:** Facilitates easy entry of the dinghy when hauling it up.

Advantages:

- **Versatile Fit:** One size fits all, meeting all market needs.
- **Adjustable Hull Supports:** Suitable for narrower hulls like the Seadoo Spark as well as for wider hulls.
- **Quick Release:** Easy to dismantle with a quick release mechanism.
- **Ergonomic Design:** Curved bow tube with bow support for better securing of cargo and easier handling.
- **Quality and Safety:** Made in Sweden with a focus on quality and safety.
- **Easy Mounting:** The included bracket meets most installation demands and the bracket can protrude behind the edge of swim platform with up to 150mm (6 inches).
- **Versatile Use:** Can also be used on floating docks.

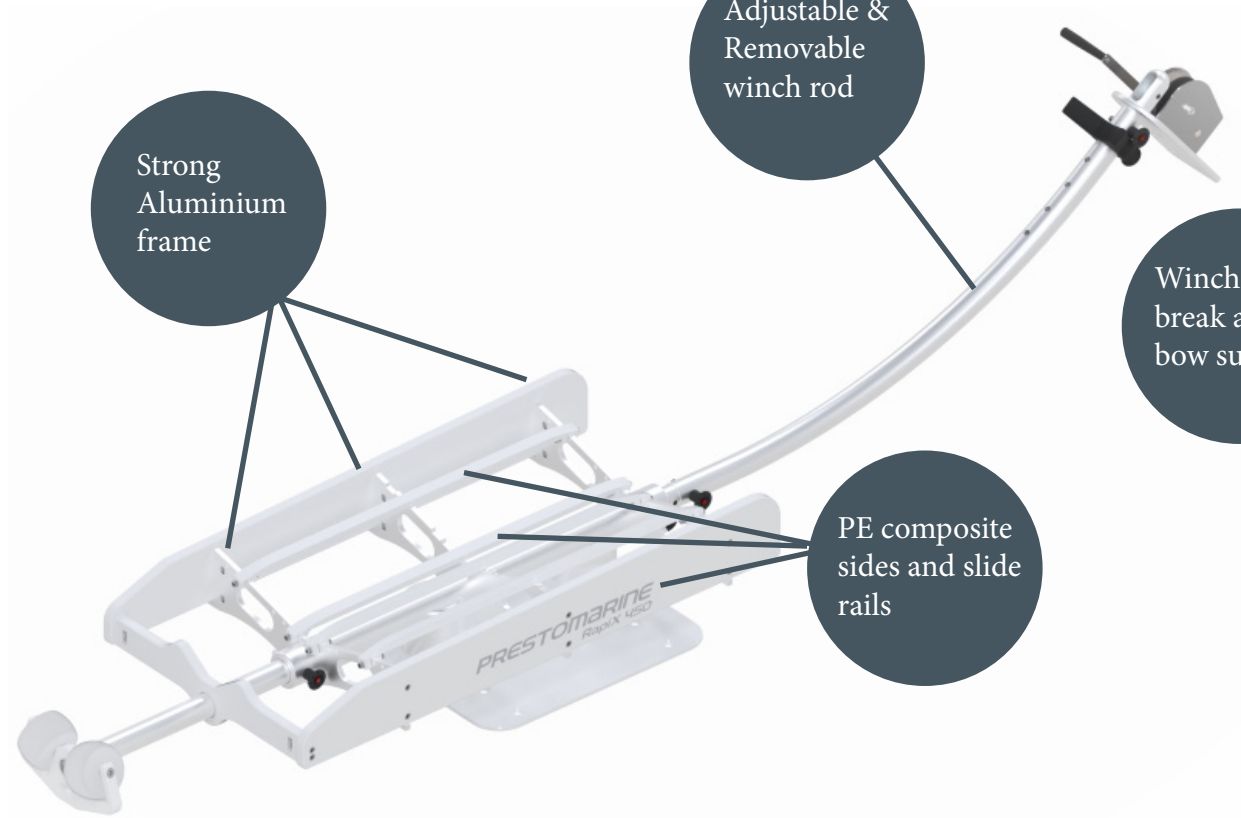
The RapiX 450 combines innovation, durability, and ease of use, making it an excellent choice for handling your watercraft.

Evolution

The next generation davits



47° support angle at swivel point

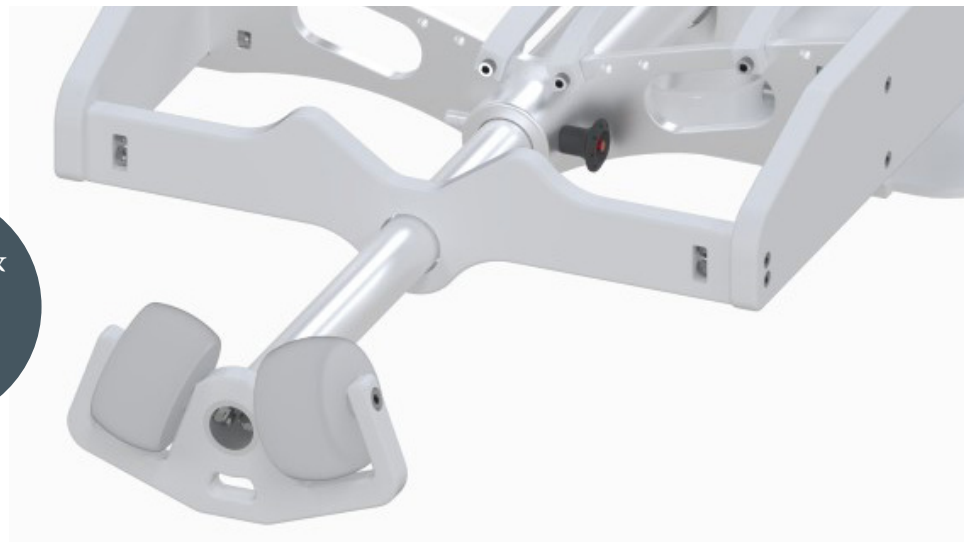


Strong Aluminium frame

Adjustable & Removable winch rod

Winch with break and bow support

PE composite sides and slide rails



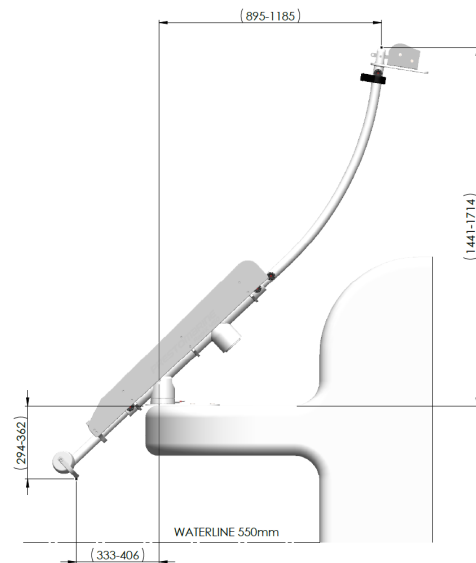
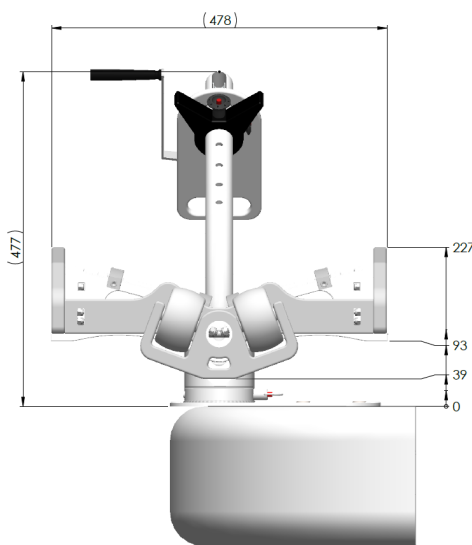
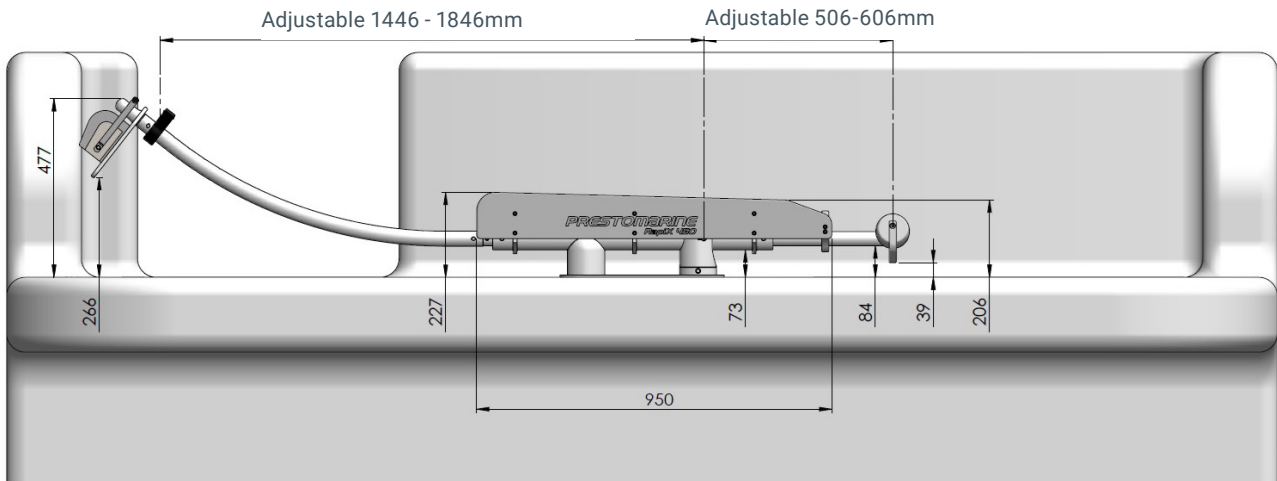
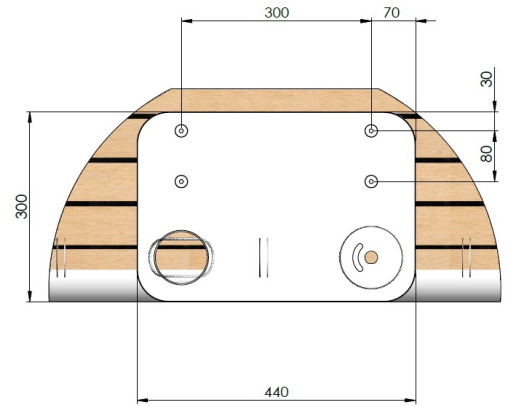
Adjustable & Removable Bow Roller

RapiX 450

Load Capacity: 1000lbs (450kg)
Material frame: Marine aluminium 5083 & 6082
Material Sliders: PE Composite
Winch: Std. Galvanized ; Optional Stainless
Weight: Approx. 66lbs (30kg)

Coverision: 100mm = 3.94 inch
 (500mm = 19.7inch ; 1500mm = 59 inch)

Mounting Bracket dimensions
 Thickness 6mm (Stainless steel)



**How to buy the RapiX 450: Get the RapiX from any Prestomarine Dealer.
 Visit www.prestomarine.com for our dealer network!**

About us

At Prestomarine we are committed to make boating easy, fun and safe.

With highest quality standards, our products are suitable for both recreational and professional use.

