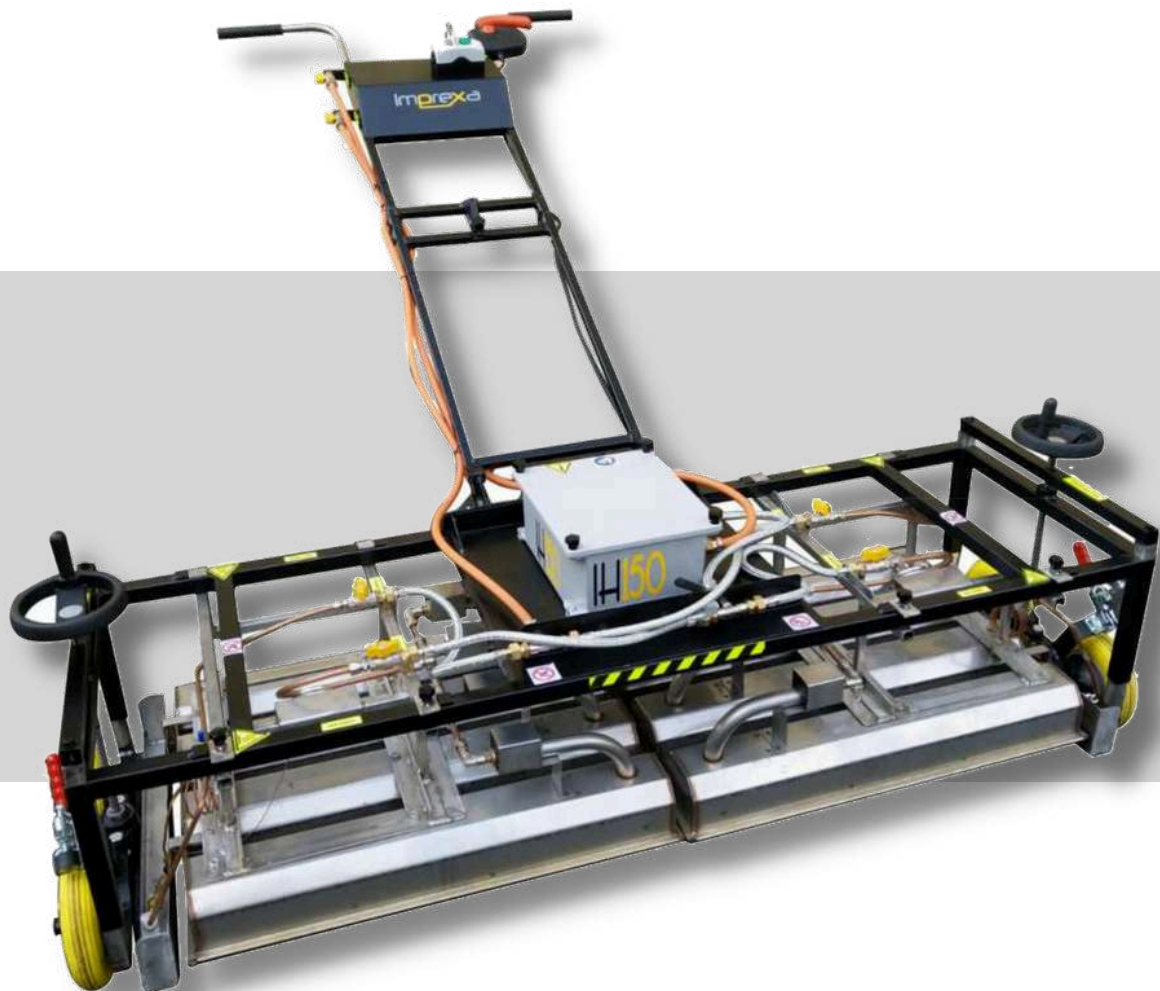


IH150



StampRoad
stamped asphalt tools

INFRARED HEATER



www.imprensa.net

IMPRESA SRL - Vicolo Gela, 20 - Albignasego (PD) - Italy - Tel 049 8976720 - E-mail info@imprensa.net - www.imprensa.net

 **Imprexa**
stamped asphalt

IH150

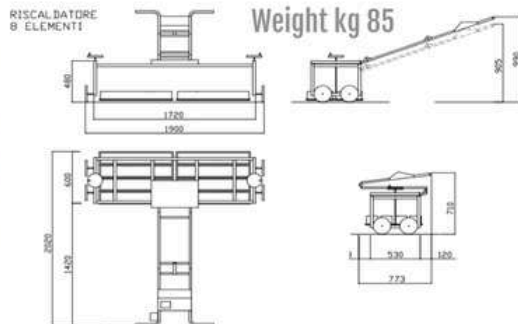


INFRARED HEATER

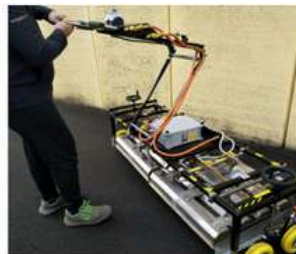


IH150 is the new infrared heater made from IMPREXA. The machine has been designed for stamped asphalt applications: big manouvability, easy transportation, high heating performance, safe control together with an affordable cost. The best choice available for stamped asphalt contractors.

Weight: kg 85



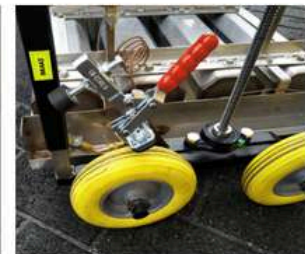
Main valve control



Foldable handlebar



2 sides height control



Brakes system



Temperature control



Rechargeable battery



CE conformity



Italian quality

03/2025

www.imprexa.net

IMPRESA SRL - Vicolo Gela, 20 - Albignasego (PD) - Italy - Tel 049 8976720 - E-mail info@imprexa.net - www.imprexa.net

Imprexa
stamped asphalt