

C2-Lite CAD™

Lightweight maintenance-free pressure tanks



Features

- Patented CAD-2 diaphragm technology
- Unique three piece construction
- Reinforced plastic connection
- Durable continuous strand fiberglass sealed with epoxy resin
- Rugged copolymer polypropylene base
- Quality brass air stem with O-ring seal
- No sweat design
- Comprehensive testing
- Maintenance-free



Certifications may vary by model. Check with your GWS sales representative for more detailed information.

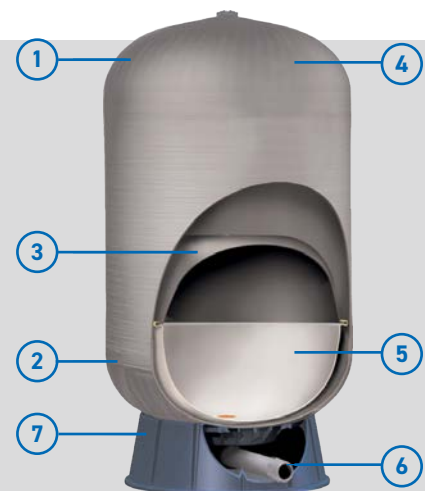
If you are looking for the proven performance of a GWS steel tank in a lightweight composite design, C2-Lite CAD™ series is the answer. Efficient and cost-effective, C2-Lite CAD tanks are designed with the patented controlled action diaphragm design of GWS Challenger™ tanks. Unlike other composite tanks that hide tired old bag technology in a plastic shell, the patented CAD-2 diaphragm design is stronger and will not crease and wear out. It features a 100% butyl diaphragm with a precision molded copolymer polypropylene liner for superior air and water separation. This patented design allows each size tank to have a properly sized water chamber matched to the drawdown performance of that tank. C2-Lite CAD tanks are easy to install, weather-resistant, and engineered to withstand even extreme environmental conditions. When it comes to performance and durability, the GWS C2-Lite CAD design cannot be beat.

C2-Lite CAD tanks are quality tested at several stages on the production line to ensure the structural integrity of every tank.

C2-Lite CAD tanks represent the best value for the investment and are the best quality composite vessels available today.

Construction of a C2-Lite CAD™ tank

1. Precision injection molded domes
2. High-tech spin welding process
3. Patented CAD-2 controlled action diaphragm design
4. Durable continuous strand fiberglass sealed with epoxy resin
5. Virgin polypropylene liner
6. Reinforced plastic connection
7. Rugged base



Where Water Gets Better

Models

Model Number		Connection	Nominal Volume		Dimensions (mm)				Gross Weight [kg]
BSP	NPT		Liters	Gallons	A	B	C	D	
Vertical									
C2B-60LV	C2N-15GV	1" BSPT / 1" NPT	60	15.8	650	45	421	239	8.6
C2B-80LV	C2N-20GV	1" BSPT / 1" NPT	80	21.1	865	45	421	239	10.9
C2B-100LV	C2N-25GV	1" BSPT / 1" NPT	100	26.4	980	45	421	239	11.5
C2B-130LV	C2N-35GV	1" BSPT / 1" NPT	130	34.3	1242	45	421	239	15.4
C2B-200LV	C2N-50GV	1¼" BSPT / NPT	200	52.8	1099	57	546	302	20.2
C2B-250LV	C2N-65GV	1¼" BSPT / NPT	250	66.0	1355	57	546	302	25.0
C2B-300LV	C2N-80GV	1¼" BSPT / NPT	300	79.2	1644	57	546	302	28.2
C2B-350LV	C2N-90GV	1¼" BSPT / NPT	350	92.4	1448	57	618	340	33.1
C2B-450LV	C2N-120GV	1¼" BSPT / NPT	450	118.8	1832	57	618	340	36.3

Note: Minor dimensional variations may occur.

Specifications

Product Series Name	C2-Lite CAD™
Nominal Volume	60 - 450 L / 15 - 120 gal
Max. Operating Temperature	49°C / 120°F
Max. Operating Pressure	8.6 bar 125 psi
Factory Pre-charge	1.4 bar 20 psi

Please refer to tank packaging for correct factory set pre-charge information.

