

BAT-MON

3 Warranty 3 years

8.9/10 Repairability index

12V

24V

36V

48V



Shunt 300A

+



Battery monitor

Presentation

The battery monitor BAT-MON shows all relevant standard data such as voltage, current, remaining capacity and time of the service battery plus one additional voltage for starter or bow battery at the same time. Moreover the battery monitor BAT-MON records historic data of your battery such as average discharge depth, unavailable capacity and number of charge/discharge cycles.

An active high-precision 300A shunt unit is provided as standard for battery control. Two extra ones can be used as option. For each shunt used an additional voltage measurement is also available (i.e. bow-thruster battery).

Up to 3 battery banks or power generation (DC source) with 3 additional battery voltage readings. It operates at 12, 24, 36 and 48V and is suitable for all types of batteries, including Lithium.

Note : BAT-MON can monitor different battery voltages in a same installation if all negatives are common.

Why is BAT-MON essential?

Because it monitors:

- Starter and House bank batteries voltage in order to check that they are not faulty (too low voltage)
- House bank battery current to determine the remaining capacity of the installation which is essential for on board confort.

The shunt sends an alarm to the monitor (flashing and sound alarm) and can switch a relay to start a genset.

A CAN-BUS interface shunt is also available (reference FLEXCAN).

Monitor Part number	BAT-MON-3.5-3
Supply voltage	DC 8-64 V
Current consumption	55 mA @ 12V, 5 mA in sleep mode 26 mA @ 24V, 3 mA in sleep mode 21 mA @ 36V, 3 mA in sleep mode 14 mA @ 48V, 2 mA in sleep mode
Relay contact	1A / DC 30V / Dielectric strength: AC 1000V
Dimensions (Length, height, depth)	100 x 105 x 40 mm (3.9 x 4.1 x 1.5 in)

Shunt Part number	SHUNT-300-3.5-3
Current consumption	22mA @ 12V, 5mA in sleep mode 11mA @ 24V, 3mA in sleep mode 9mA @ 36V, 3mA in sleep mode 6mA @ 48V, 2mA in sleep mode
Résistance	0.1mΩ
Voltage measuring range (+1)	DC 0-64V, resolution 30mV, accuracy 0.25%
Voltage measuring range (+2)	DC 0-52V, resolution 30mV, accuracy 0.25%
Current carrying capacity	300A, 600A 1min, 1500A 0.5 sec.
Current measuring range	-600 to +600A, resolution 10mV, accuracy 0.5%
Temperature measuring range	External sensor: -15 to 60°C, resolution 1K, accuracy 1K
Dimensions (Length, height, depth)	119 x 43 x 44 mm (4.6 x 1.6 x 1.7 in)
Connections	Bolt M8

Options



Wiring kit SEEL017153



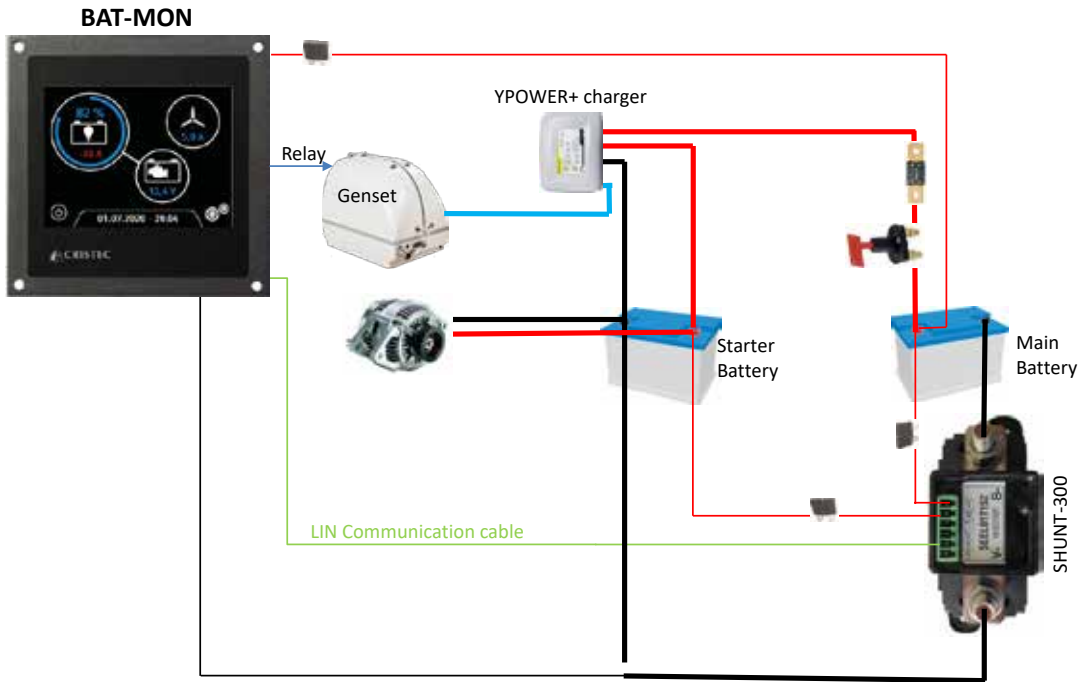
Temperature probe 2.8 m STP-UNI-2.8



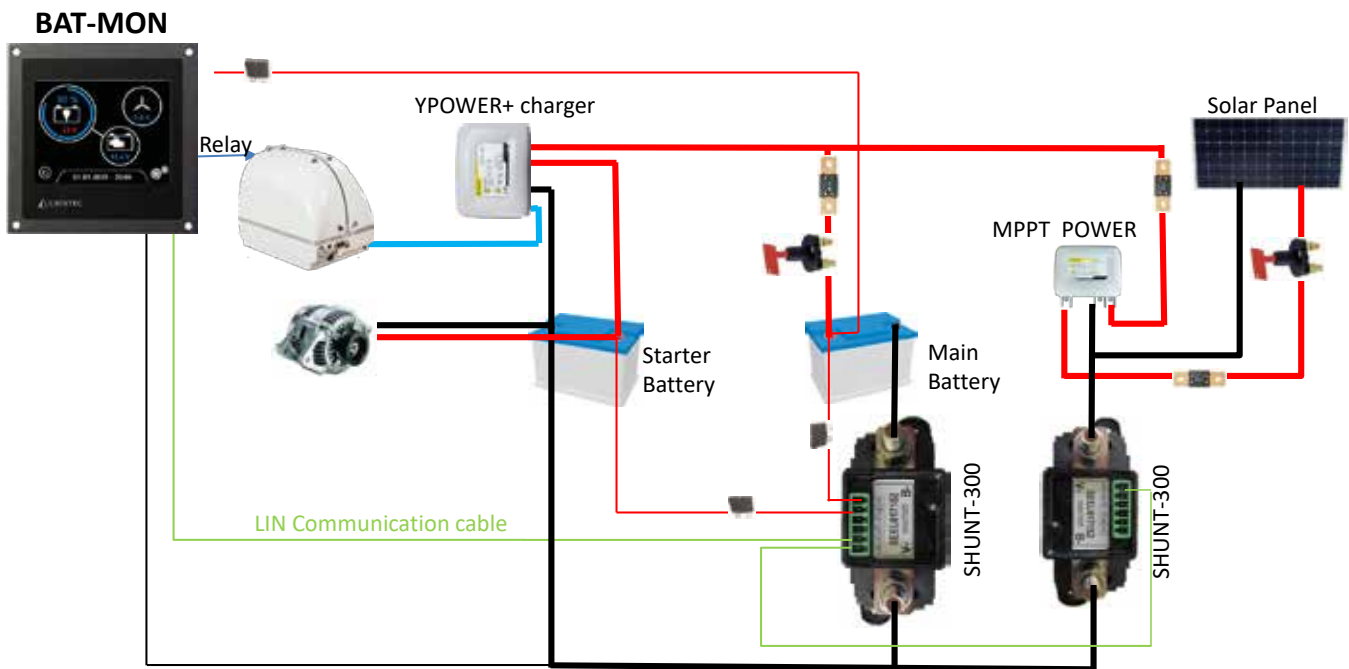
Temperature probe 5 m STP-UNI-5.0

BAT-MON

Examples of installation



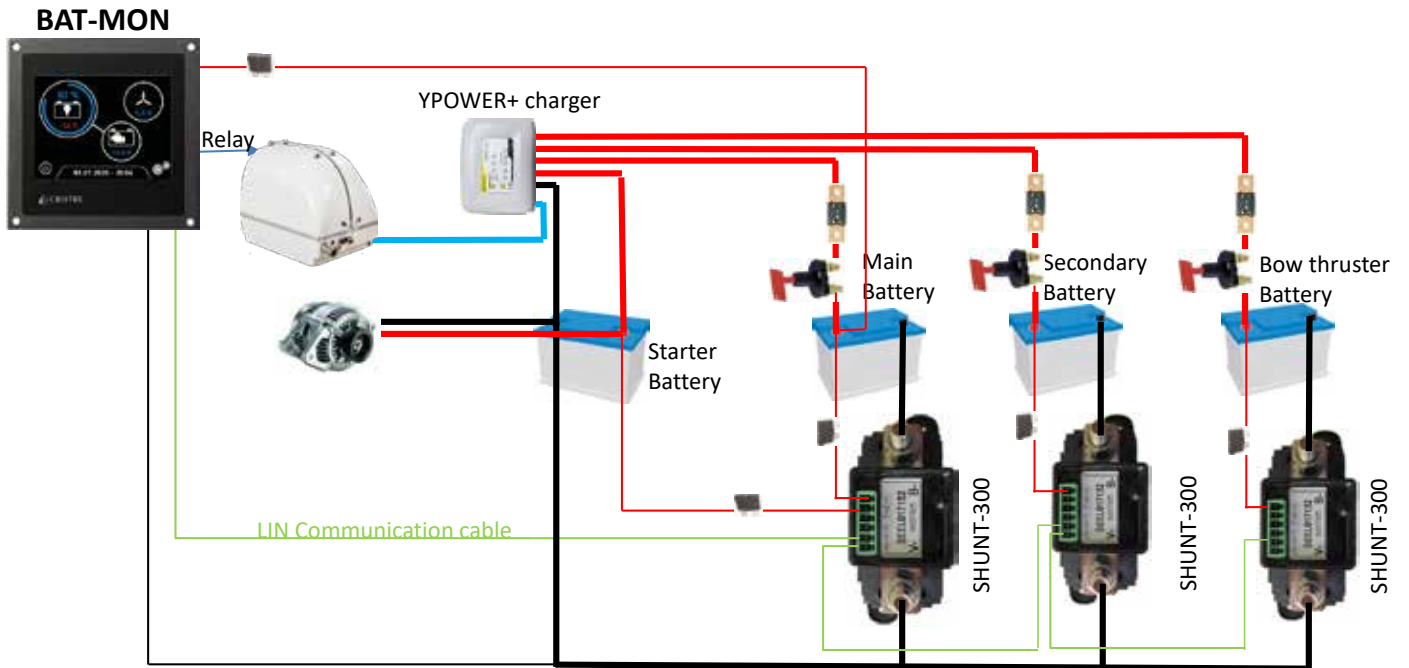
Shunt 300 measures the voltage of Starter battery and the voltage, current, temperature of the main battery. A low voltage of the Main battery can trigger a relay of the BAT-MON in order to start the genset.



Shunts can be daisy chained to display on the same monitor the energy state of the whole installation

BAT-MON

Examples of installation



BAT-MON can monitor up to 5 batteries



Example of BAT-MON monitor integration on a DC switching panel.