

MY23F

Ultra Wide, No Distortion 5 Megapixel Lens



LINEAR OPTICAL TECHNOLOGY

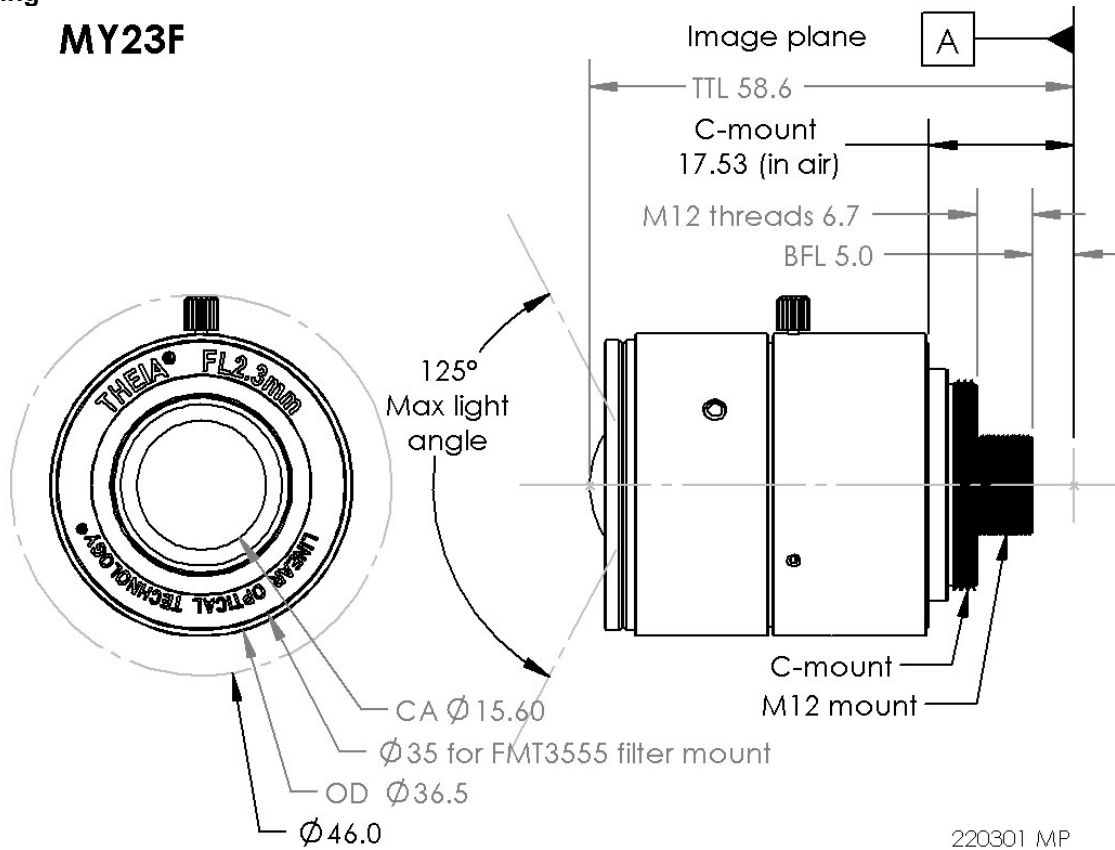
- ✓ Patented Linear Optical Technology[®] provides **ultra wide** field of view of 120° for greater coverage with fewer cameras
- ✓ **Fixed metal housing and focus locks** allow the lens to survive high vibration environments
- ✓ **NIR corrected for multi-spectral imaging & Day/Night** cameras
- ✓ Supports **5+ megapixel resolution** cameras for demanding applications
- ✓ With **M12, CS or C mount** options convenience & ease of installation
- ✓ Compatible with **1/3", 1/2.7" HD, 1/2.5", 1/2.3" 4K*** and **1/1.8"** sensor sizes

Lenses	SY23F	MY23F
Mount	CS	C and M12
Focal length	2.3mm	
Linear Optical Technology [®]	Yes <i>(this technology causes the image to be flipped)</i>	
Distortion	<1%	
Resolution	5+ megapixel	
F/#	F/2.2 to close	
IR Correction	430nm to 940nm	
Focus range	0.5m to ∞	
Operating temperature	-20C to 70C (<70% humidity, non-condensing)	
Storage temperature	-20C to 80C (<90% humidity, non-condensing)	
Image Circle	9.0mm	

Sensor size	1/2.7" HD	1/2.5"	1/1.8"
Field of view (H)	97°	102°	120°
Field of view (V)	80°	86°	87°
Field of view (D)	109°	114°	125°

Lens drawing

MY23F



For more information, contact

Theia Technologies
info@TheiaTech.com
Phone: +1-503-570-3296