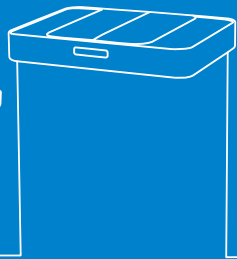
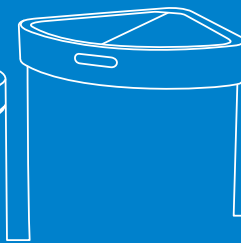
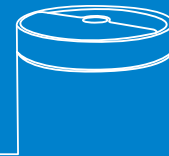
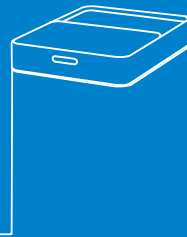
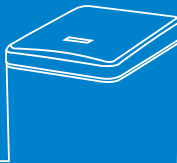
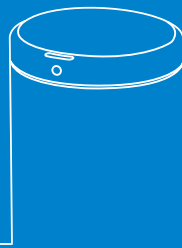
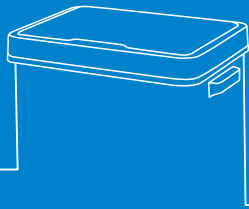
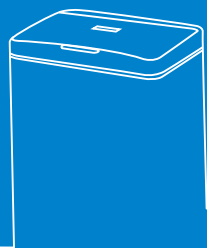


**OEM/ODM**

**2025 NEW**

**SENSOR BIN**





# HI-NA

## ABOUT US

**ISO:9001**  
Quality Management System

**BSCI**  
Social Audit

**CE**  
Export certification

**RoHS**  
Export certification

Zhongshan Hi-na Lifestyle Co.,Ltd. is located in the beautiful and affluent Pearl River Delta, home appliance town -Dongfeng Town. We are the fastest growing manufacturer for sensor dustbins, having a stable design, production and sales team, improving ISO:9001 Quality Management System and amfori BSCI Social Audit.

We currently develop and manufacture the most fashionable and high-quality smart sensor trash cans which already issued export certifications such as CE and RoHS. Can meet different requirements of different countries at the same time. Welcome to make OEM, ODM orders to us!

ZHONGSHAN HI-NA LIFESTYLE CO.,LTD.

WEB:WWW.HI-NA.CN

TEL:+860760 22602261/+8613420286038

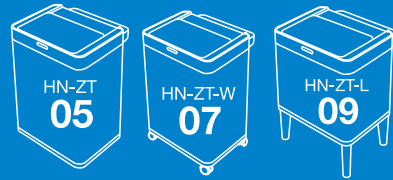
ADD:Building D,No.160, Tongji Road,Hetai Industrial Zone,Dongfeng  
Town,Zhongshan City ,Guangdong Province,China 528425

# CATALOGUE

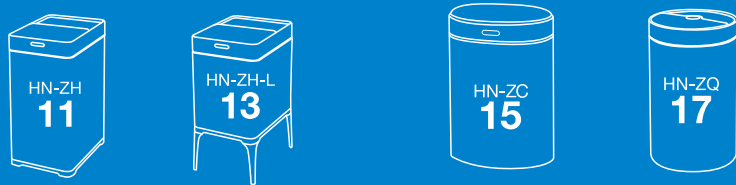
## Part one



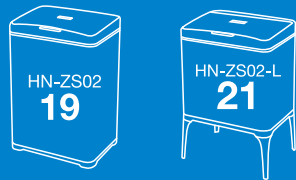
## Part two



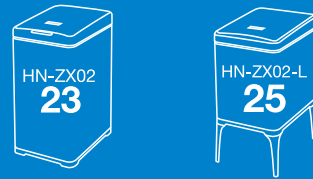
## Part three



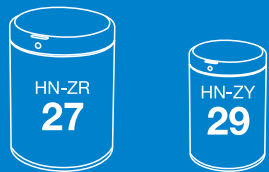
## Part four



## Part five



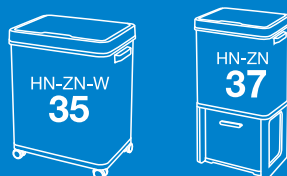
## Part six



## Part seven



## Part eight



## Part nine

COMING SOOG.....

01	Corner Sensor Bin	HN-ZW
03	Moving Corner Sensor Bin	HN-ZW-W
05	Rectangular Sliding Sensor Bin	HN-ZT
07	Moving Sliding Sensor Bin	HN-ZT-W
09	High Leg Sliding Sensor Bin	HN-ZT-L
11	Sliding Sensor Bin	HN-ZH
13	High Leg Sliding Sensor Bin	HN-ZH-L
15	Oval Sensor Bin	HN-ZC
17	Rotary Round Sensor Bin	HN-ZQ
19	Rectangular Big Sensor Bin	HN-ZS02
21	Rectangular High Leg Sensor Bin	HN-ZS02-L
23	Slim Big Sensor Bin	HN-ZX02
25	Slim High Leg Sensor Bin	HN-ZX02-L
27	Round Big Sensor Bin	HN-ZR
29	Round Sensor Bin	HN-ZY
31	Double Open Sliding Sensor Bin	HN-ZK-W
33	Double Open Recycling Sensor Bin	HN-ZK
35	Moving Big Sensor Bin	HN-ZN-W
37	Sorting Recycling Sensor Bin	HN-ZN

PRODUCT MODEL  
**HN-ZW**



BLACK



STAINLESS STEEL

**42L**



Sensor-activated Flip



Sensor Adjustable



Easy To Replace

# CORNER SENSOR BIN

## PRODUCT FEATURES

 Power enough

 Conserve space

 Auto sensor

 Ozone(option)

 Touch switch

 Double lids

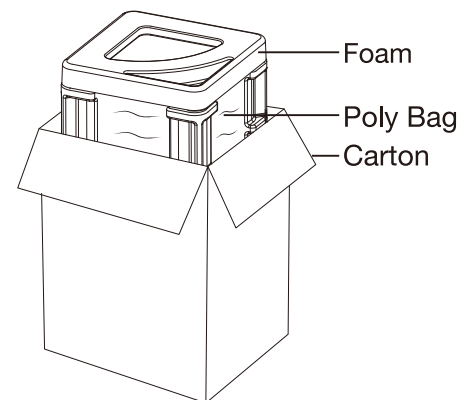
## MATERIALS

Body: 410 stainless steel  
Lid: ABS/410 stainless steel  
Power: 6pcs of AA Alkaline batteries

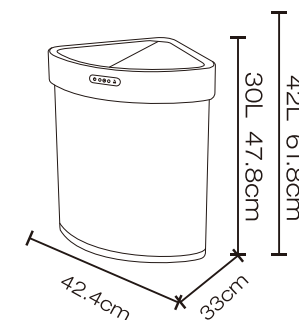
Thickness: 0.45mm  
Bottom: ABS  
Inner bucket: None

Capacity	<b>30L</b>	<b>42L</b>
N.W./G.W.(KG)	3.11/3.68	4.08/4.77
Carton Size(CM)	38.2X38.2X53	38.2X38.2X67
MOQ 40 HQ (PCS)	928	740

## PACKAGE



## PRODUCT SIZE



PRODUCT MODEL  
**HN-ZW-W**



**42L**



BLACK



STAINLESS STEEL

# MOVING CORNER SENSOR BIN

## PRODUCT FEATURES

 Power enough

 Conserve space

 Auto sensor

 Ozone(option)

 Touch switch

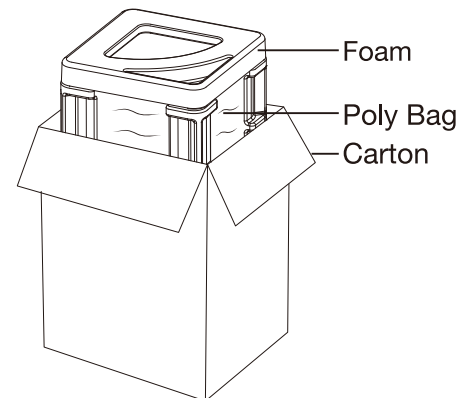
 Double lids

## MATERIALS

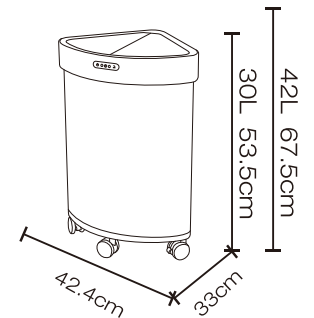
Body:	410 stainless steel	Thickness:	0.45mm
Lid:	ABS/410 stainless steel	Bottom:	ABS
Power:	6pcs of AA Alkaline batteries	Inner bucket :	None

Capacity	30L	42L
N.W./G.W.(KG)	3.46/4.03	4.43/5.12
Carton Size(CM)	38.2X38.2X53	38.2X38.2X67
MOQ 40 HQ (PCS)	928	740

## PACKAGE



## PRODUCT SIZE



Sensor-activated Flip



Sensor Adjustable



Easy To Replace

PRODUCT MODEL  
**HN-ZT**



**42L**



WHITE



BLACK



STAINLESS STEEL



Motion Sensor



Garbage Bag Storage



Sensor Adjustable

# RECTANGULAR SLIDING SENSOR BIN

## PRODUCT FEATURES



Power enough



Sliding open



Auto sensor



Adjustable induction



Touch switch



Large opening

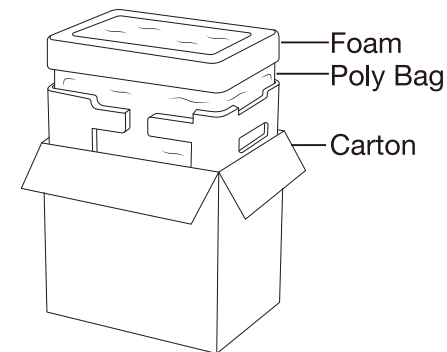
## MATERIALS

Body: 410 stainless steel  
Lid: ABS/410 stainless steel  
Power: 6pcs of AA Alkaline batteries

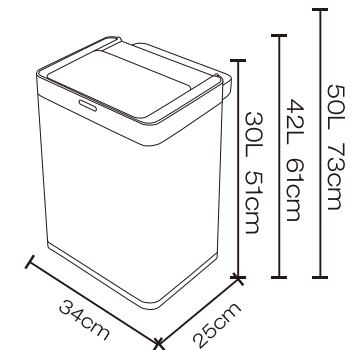
Thickness: 0.45mm  
Bottom: ABS  
Inner bucket: None

Capacity	<b>30L</b>	<b>42L</b>	<b>50L</b>
N.W./G.W.(KG)	3.19/4.19	3.60/4.75	4.16/5.44
Carton Size(CM)	39.5X30.5X57	39.5X30.5X67	39.5X30.5X79
MOQ 40 HQ (PCS)	1040	890	750

## PACKAGE



## PRODUCT SIZE



PRODUCT MODEL  
**HN-ZT-W**



**30L**



WHITE



BLACK



STAINLESS STEEL

# MOVING SLIDING SENSOR BIN

## PRODUCT FEATURES



Power enough



Sliding open



Auto sensor



Adjustable induction



Touch switch



Large opening

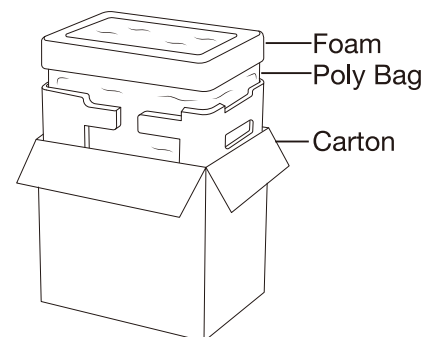
## MATERIALS

Body: 410 stainless steel  
Lid: ABS/410 stainless steel  
Power: 6pcs of AA Alkaline batteries

Thickness: 0.45mm  
Bottom: ABS  
Inner bucket: None

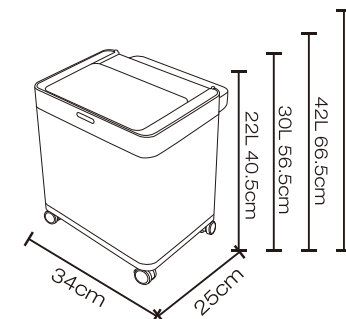
Capacity	22L	30L	42L	50L
N.W./G.W.(KG)	2.61/3.46	3.53/4.53	3.94/5.09	4.50/5.78
Carton Size(CM)	39.5X30.5X42	39.5X30.5X57	39.5X30.5X67	39.5X30.5X79
MOQ 40 HQ (PCS)	1356	1040	890	750

## PACKAGE



Foam  
Poly Bag  
Carton

## PRODUCT SIZE



Motion Sensor

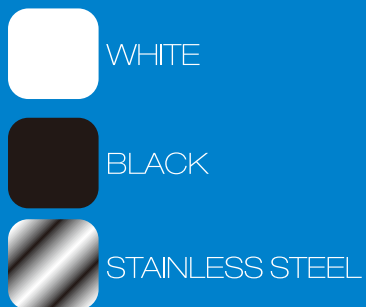


Garbage Bag Storage



Sensor Adjustable

PRODUCT MODEL  
**HN-ZT-L**



**22L**

# HIGH LEG SLIDING SENSOR BIN

## PRODUCT FEATURES



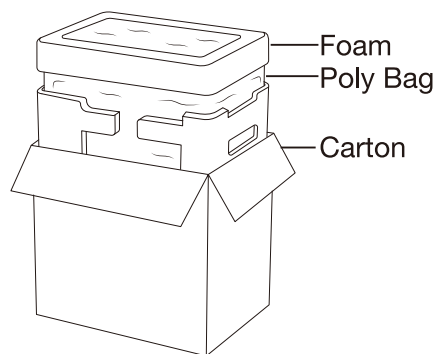
## MATERIALS

Body: 410 stainless steel  
Lid: ABS/410 stainless steel  
Power: 6pcs of AA Alkaline batteries

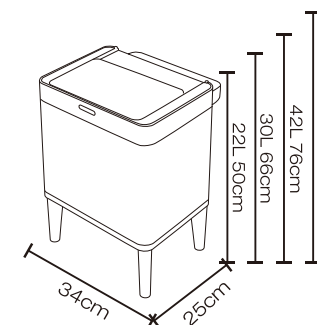
Thickness: 0.45mm  
Bottom: ABS  
Inner bucket: None

Capacity	<b>22L</b>	<b>30L</b>	<b>42L</b>	<b>50L</b>
N.W./G.W.(KG)	2.41/3.26	3.33/4.33	3.74/4.89	4.30/5.58
Carton Size(CM)	39.5X30.5X42	39.5X30.5X57	39.5X30.5X67	39.5X30.5X79
MOQ 40 HQ (PCS)	1356	1040	890	750

## PACKAGE



## PRODUCT SIZE



Motion Sensor



Garbage Bag Storage



Sensor Adjustable

PRODUCT MODEL  
**HN-ZH**



**42L**



WHITE



BLACK



STAINLESS STEEL



Motion Sensor



Sensor Adjustable



Ozone Generator

# SLIDING SENSOR BIN

## PRODUCT FEATURES

 Power enough

 Sliding open

 Auto sensor

 Ozone

 Touch switch

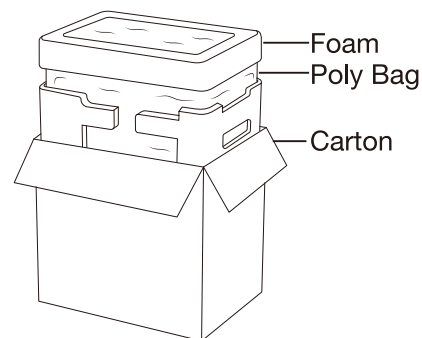
 Narrow design

## MATERIALS

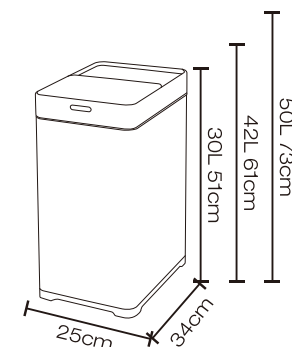
Body:	410 stainless steel	Thickness:	0.45mm
Lid:	ABS/410 stainless steel	Bottom:	ABS
Power:	6pcs of AA Alkaline batteries	Inner bucket :	None

Capacity	30L	42L	50L
N.W./G.W.(KG)	3.05/4.05	3.46/4.61	4.02/5.30
Carton Size(CM)	30.5X39.5X57	30.5X39.5X67	30.5X39.5X79
MOQ 40 HQ (PCS)	1040	890	750

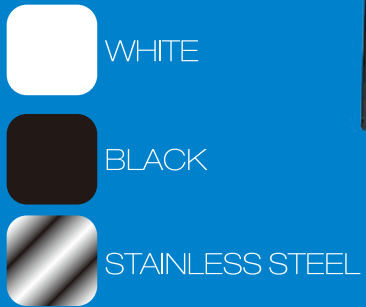
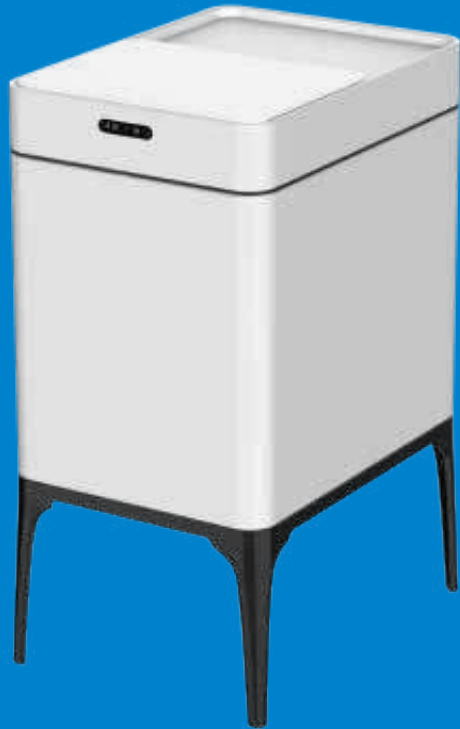
## PACKAGE



## PRODUCT SIZE



PRODUCT MODEL  
**HN-ZH-L**



**22L**



Motion Sensor



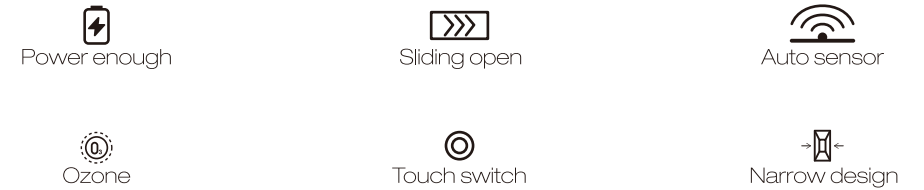
Sensor Adjustable



Ozone Generator

# HIGH LEG SLIDING SENSOR BIN

## PRODUCT FEATURES

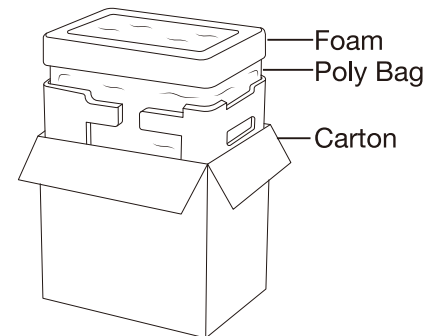


## MATERIALS

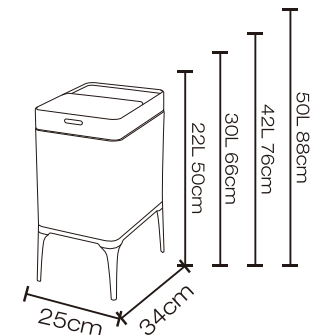
Body:	410 stainless steel	Thickness:	0.45mm
Lid:	ABS/410 stainless steel	Bottom:	ABS
Power:	6pcs of AA Alkaline batteries	Inner bucket:	None

Capacity	22L	30L	42L	50L
N.W./G.W.(KG)	2.24/3.08	3.13/4.13	3.54/4.69	4.10/5.38
Carton Size(OM)	30.5X39.5X42	30.5X39.5X57	30.5X39.5X67	30.5X39.5X79
MOQ 40 HQ (PCS)	1356	1040	890	750

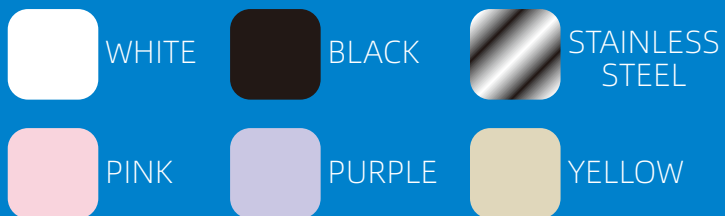
## PACKAGE



## PRODUCT SIZE



PRODUCT MODEL  
**HN-ZC**



**20L**



Motion Sensor



Sensor Adjustable



Vibration Switch

# OVAL SENSOR BIN

## PRODUCT FEATURES



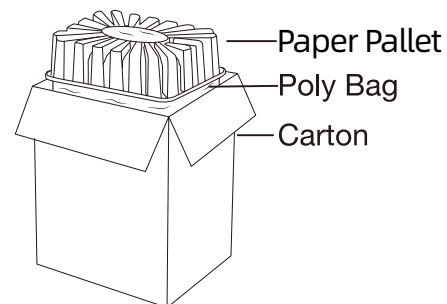
## MATERIALS

Body: 410 stainless steel  
Lid: ABS/410 stainless steel  
Power: 4pcs of AA Alkaline batteries

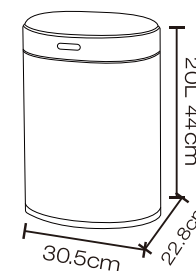
Thickness: 0.35mm  
Bottom: ABS  
Inner bucket: None

Capacity	<b>20L</b>
N.W./G.W.(KG)	2.20/2.90
Carton Size(CM)	36X28X50
MOQ 40 HQ (PCS)	1320

## PACKAGE



## PRODUCT SIZE



PRODUCT MODEL  
**HN-ZQ**



**30L**



WHITE



BLACK



STAINLESS STEEL



Motion Sensor



Sensor Adjustable



Vibration Switch

# ROTARY ROUND SENSOR BIN

## PRODUCT FEATURES

 Power enough

 Rotary open cover

 Auto sensor

 Deodorant

 Touch switch

 Vibration induction

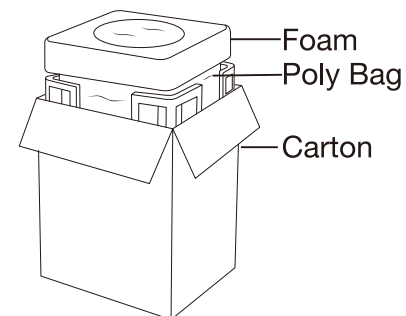
## MATERIALS

Body: 410 stainless steel  
Lid: ABS/410 stainless steel  
Power: 6pcs of AA Alkaline batteries

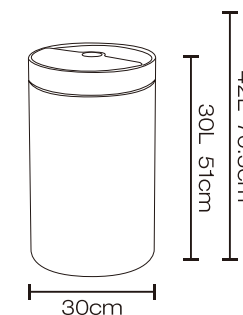
Thickness: 0.45mm  
Bottom: PP  
Inner bucket: None

Capacity	<b>30L</b>	<b>42L</b>
N.W./G.W.(KG)	2.55/3.48	3.12/4.26
Carton Size(CM)	33.5X33X57.5	33.5X33X76.5
MOQ 40 HQ (PCS)	1125	840

## PACKAGE



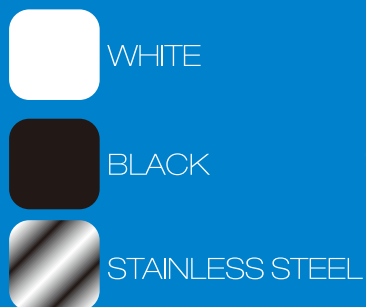
## PRODUCT SIZE



PRODUCT MODEL  
**HN-ZS02**



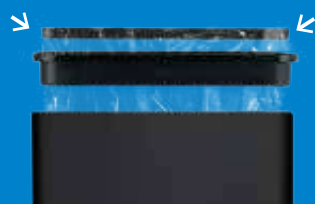
**30L**



Motion Sensor



Touch Screen



Easy To Replace

# RECTANGULAR BIG SENSOR BIN

## PRODUCT FEATURES

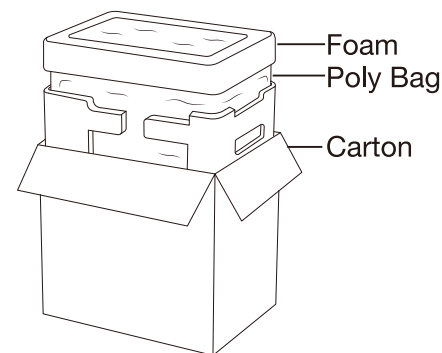


## MATERIALS

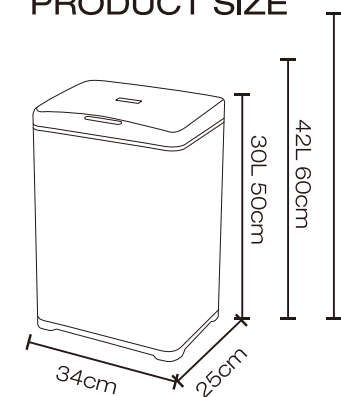
Body:	410 stainless steel	Thickness:	0.45mm
Lid:	ABS	Bottom:	ABS
Power:	6pcs of AA Alkaline batteries	Inner bucket :	None

Capacity	<b>30L</b>	<b>42L</b>	<b>50L</b>
N.W./G.W.(KG)	2.90/3.88	3.31/4.45	3.88/5.14
Carton Size(CM)	39.5X30.5X57	39.5X30.5X67	39.5X30.5X79
MOQ 40 HQ (PCS)	1040	890	750

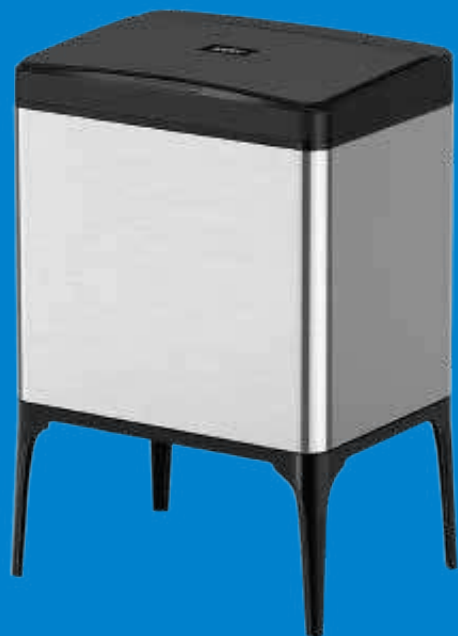
## PACKAGE



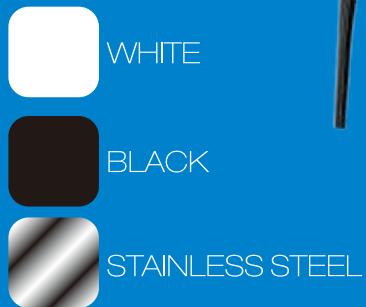
## PRODUCT SIZE



PRODUCT MODEL  
**HN-ZS02-L**



**22L**



Motion Sensor



Touch Screen



Easy To Replace

# RECTANGULAR HIGH LEG SENSOR BIN

## PRODUCT FEATURES

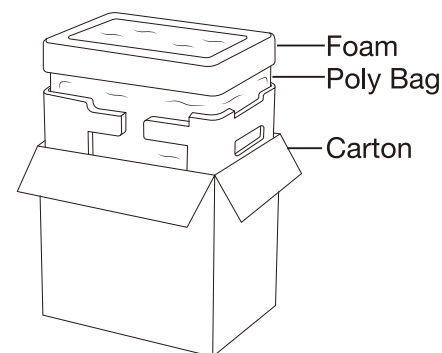


## MATERIALS

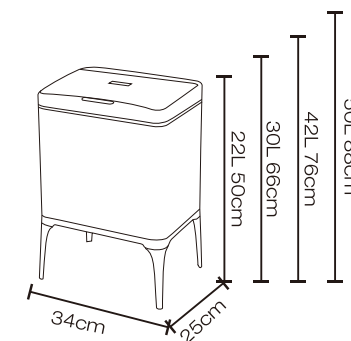
Body:	410 stainless steel	Thickness:	0,45mm
Lid:	ABS	Bottom:	ABS
Power:	6pcs of AA Alkaline batteries	Inner bucket :	None

Capacity	22L	30L	42L	50L
N.W./G.W.(KG)	2.07/2.90	2.98/3.96	3.39/4.53	3.96/5.22
Carton Size(CM)	39,5X30,5X42	39,5X30,5X57	39,5X30,5X67	39,5X30,5X79
MOQ 40 HQ (PCS)	1356	1040	890	750

## PACKAGE



## PRODUCT SIZE



PRODUCT MODEL  
**HN-ZX02**



**42L**



WHITE



BLACK



STAINLESS STEEL



Motion Sensor



Touch Screen



Easy To Replace

# SLIM BIG SENSOR BIN

## PRODUCT FEATURES



Quick open



Anti fingerprint



Auto sensor



Power enough



Touch switch



Narrow design

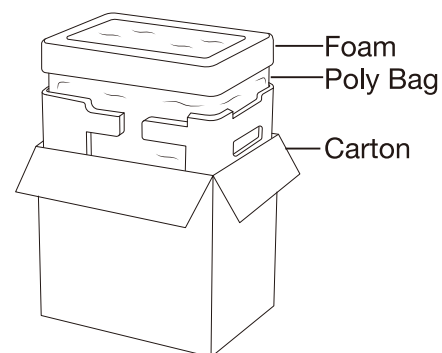
## MATERIALS

Body: 410 stainless steel  
Lid: ABS  
Power: 6pcs of AA Alkaline batteries

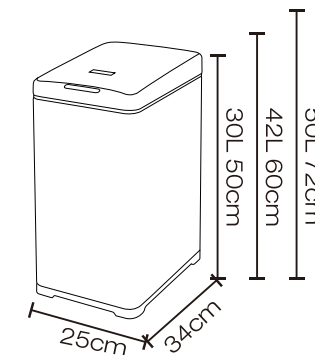
Thickness: 0.45mm  
Bottom: ABS  
Inner bucket: None

Capacity	30L	42L	50L
N.W./G.W.(KG)	2.96/3.97	3.30/4.45	3.87/5.15
Carton Size(CM)	30.5X39.5X57	30.5X39.5X67	30.5X39.5X79
MOQ 40 HQ (PCS)	1040	890	750

## PACKAGE



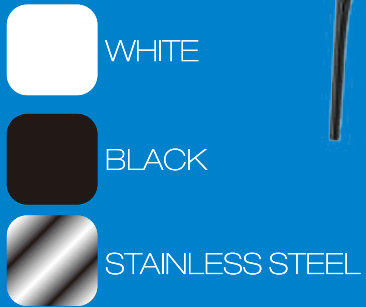
## PRODUCT SIZE



PRODUCT MODEL  
**HN-ZX02-L**



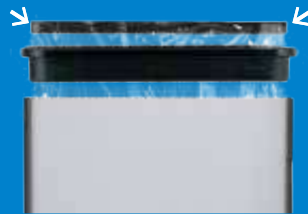
**22L**



Motion Sensor



Touch Screen



Easy To Replace

# SLIM HIGH LEG SENSOR BIN

## PRODUCT FEATURES



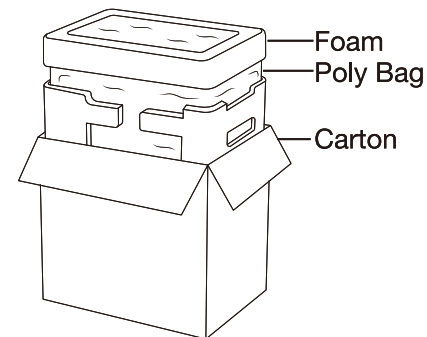
## MATERIALS

Body: 410 stainless steel  
Lid: ABS  
Power: 6pcs of AA Alkaline batteries

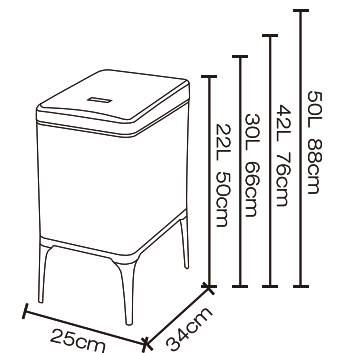
Thickness: 0,45mm  
Bottom: ABS  
Inner bucket : None

Capacity	22L	30L	42L	50L
N.W./G.W.(KG)	2,13/2,98	3,04/4,05	3,38/4,53	3,95/5,23
Carton Size(CM)	30,5X39,5X42	30,5X39,5X57	30,5X39,5X67	30,5X39,5X79
MOQ 40 HQ (PCS)	1356	1040	890	750

## PACKAGE



## PRODUCT SIZE



PRODUCT MODEL  
**HN-ZR**



**30L**



WHITE



BLACK



STAINLESS STEEL



Motion Sensor



Deodorizing Grille



Vibration Switch

# ROUND BIG SENSOR BIN

## PRODUCT FEATURES



Soft close



Vibration induction



Power enough



Touch switch



Auto sensor



Deodorant

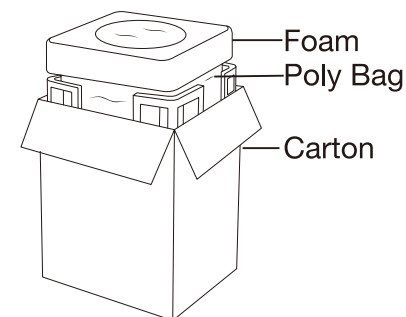
## MATERIALS

Body: 410 stainless steel  
Lid: ABS  
Power: 6pcs of AA Alkaline batteries

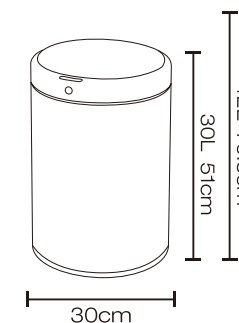
Thickness: 0.45mm  
Bottom: PP  
Inner bucket: None

Capacity	<b>30L</b>	<b>42L</b>
N.W./G.W.(KG)	2.56/3.50	2.98/4.12
Carton Size(CM)	33.5X33X56	33.5X33X75
MOQ 40 HQ (PCS)	1125	840

## PACKAGE






## PRODUCT SIZE



PRODUCT MODEL  
**HN-ZY**









**12L**

-  WHITE
-  BLACK
-  STAINLESS STEEL

# ROUND SENSOR BIN

## PRODUCT FEATURES

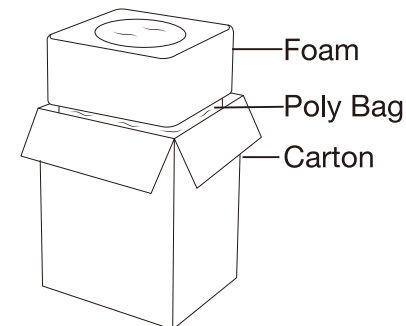
-  Soft close
-  Vibration induction
-  Hidden garbage bag
-  Power enough
-  Touch switch
-  Water proof ipx4

## MATERIALS

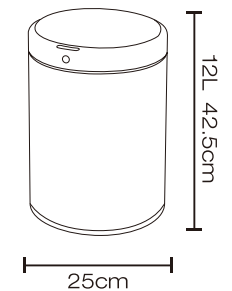
Body:	410 stainless steel	Thickness:	0.45mm
Lid:	ABS	Bottom:	ABS
Power:	4pcs of AA Alkaline batteries	Inner bucket :	PP

Capacity	<b>12L</b>
N.W./G.W.(KG)	2.17/2.90
Carton Size(CM)	29X29X47.5
MOQ 40 HQ (PCS)	1570

## PACKAGE



## PRODUCT SIZE



Motion Sensor



Battery waterproof



Easy To Replace

PRODUCT MODEL  
**HN-ZK-W**



BLACK



STAINLESS STEEL

**50L**



Motion Sensor



Rotation Adjustable



Ozone Generator

# DOUBLE OPEN SLIDING SENSOR BIN

## PRODUCT FEATURES

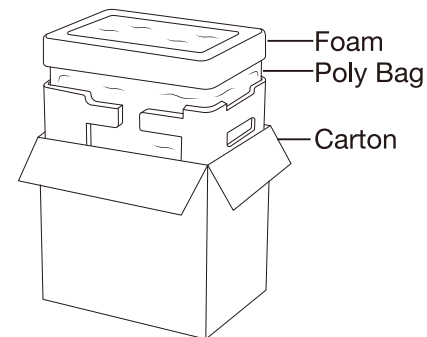


## MATERIALS

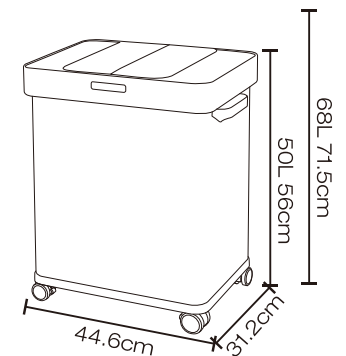
Body:	410 stainless steel	Thickness:	0,45mm
Lid:	ABS/410 stainless steel	Bottom:	ABS
Power:	6pcs of AA Alkaline batteries	Inner bucket :	None

Capacity	<b>50L</b>	<b>68L</b>
N.W./G.W.(KG)	4.61/5.90	5.34/6.83
Carton Size(CM)	46.5X35X57	46.5X35X72
MOQ 40 HQ (PCS)	760	590

## PACKAGE



## PRODUCT SIZE



PRODUCT MODEL  
**HN-ZK**



**72L**



BLACK



STAINLESS STEEL



Motion Sensor



Double-layer



Ozone Generator

# DOUBLE OPEN RECYCLING SENSOR BIN

## PRODUCT FEATURES



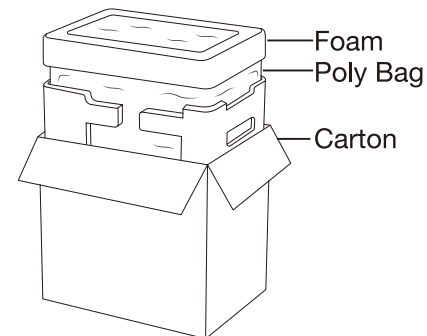
## MATERIALS

Body: 410 stainless steel  
Lid: ABS/410 stainless steel  
Power: 6pcs of AA Alkaline batteries

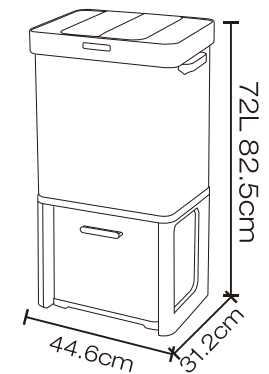
Thickness: 0.45mm  
Bottom: ABS  
Inner bucket: None

Capacity	<b>72L</b>
N.W./G.W.(KG)	6.25/7.50
Carton Size(CM)	46.5X35X57
MOQ 40 HQ (PCS)	760

## PACKAGE



## PRODUCT SIZE



PRODUCT MODEL  
**HN-ZN-W**



BLACK



STAINLESS STEEL

**50L**

# MOVING BIG SENSOR BIN

## PRODUCT FEATURES

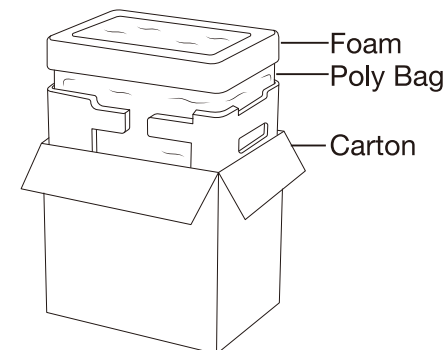


## MATERIALS

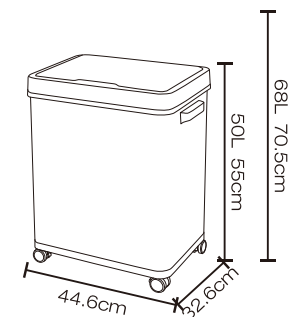
Body:	410 stainless steel	Thickness:	0.45mm
Lid:	ABS	Bottom:	ABS
Power:	6pcs of AA Alkaline batteries	Inner bucket :	None

Capacity	<b>50L</b>	<b>68L</b>
N.W./G.W.(KG)	4.34/5.62	5.03/6.51
Carton Size(CM)	46.5X35X57	46.5X35X72
MOQ 40 HQ (PCS)	760	590

## PACKAGE



## PRODUCT SIZE



Motion Sensor



Touch Screen



Easy To Replace

PRODUCT MODEL  
**HN-ZN**



**72L**



BLACK



STAINLESS STEEL



Motion Sensor



Double-layer



Easy To Replace

# SORTING RECYCLING SENSOR BIN

## PRODUCT FEATURES



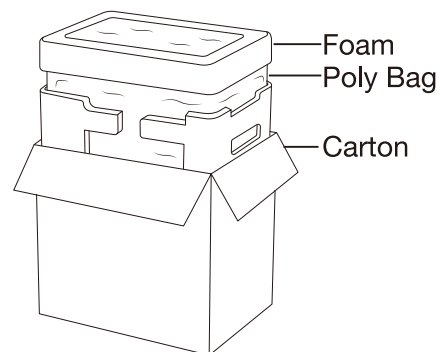
## MATERIALS

Body: 410 stainless steel  
Lid: ABS  
Power: 6pcs of AA Alkaline batteries

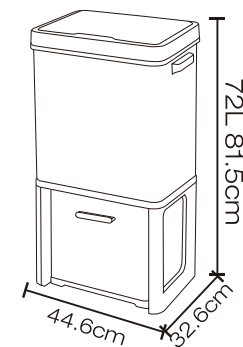
Thickness: 0.45mm  
Bottom: ABS  
Inner bucket: None

Capacity	<b>72L</b>
N.W./G.W.(KG)	6.35/7.65
Carton Size(CM)	46.5X35X57
MOQ 40 HQ (PCS)	760

## PACKAGE



## PRODUCT SIZE



# CERTIFICATES



**ISO9001**  
QUALITY MANAGEMENT  
SYSTEM CERTIFICATE



**BSCI**  
BUSINESS SOCIAL  
COMPLIANCE INITIATIVE

# INSPECTION CERTIFICATE



**CE**  
CERTIFICATE



**RoHS**  
CERTIFICATE



**IPX4**  
WATERPROOF IPX4

# PATENT CERTIFICATE

