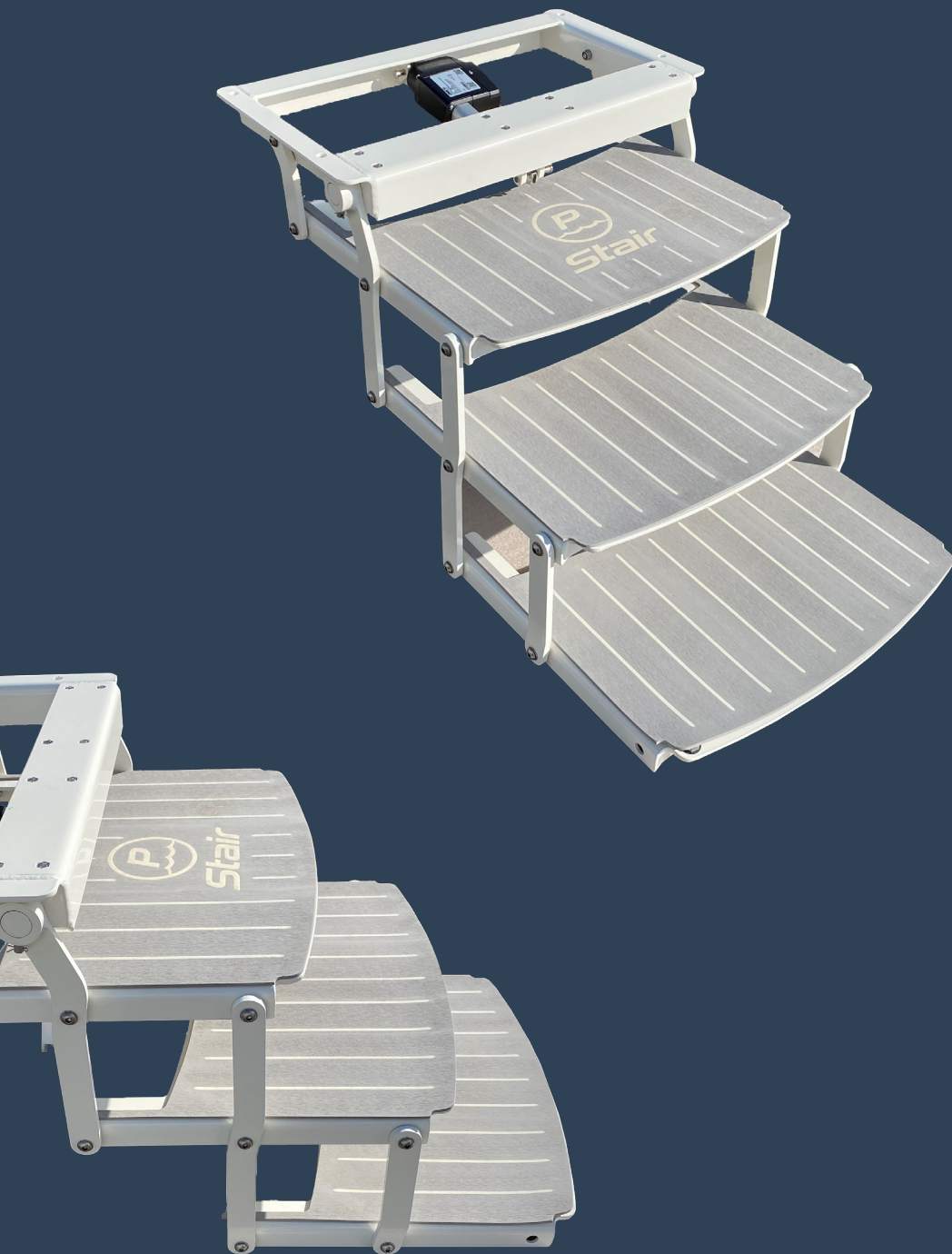


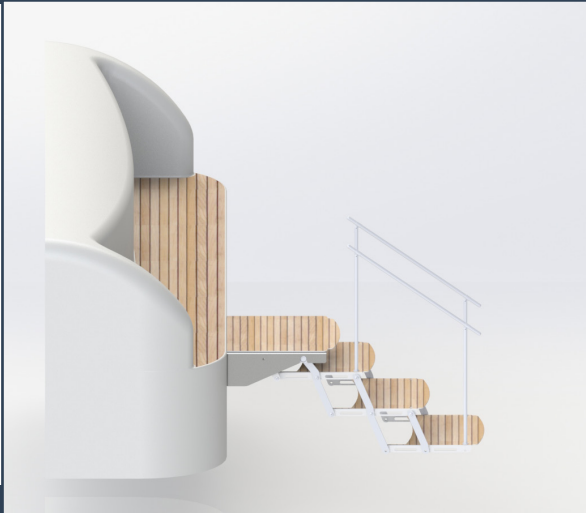
# Presto-Stair



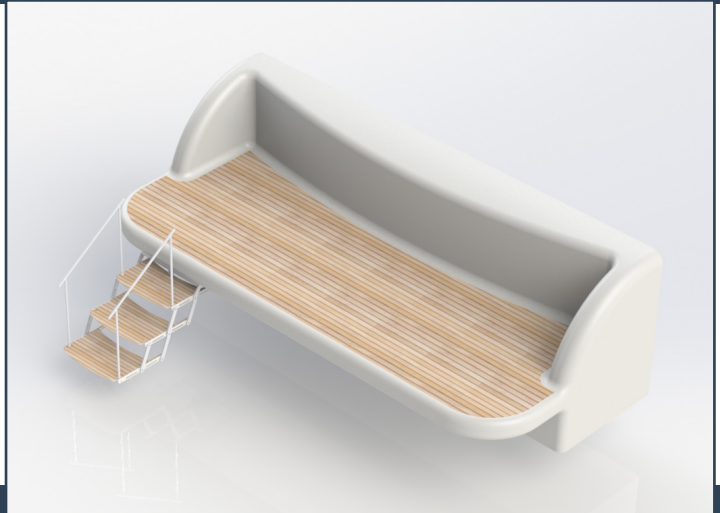
# Access the waters.

Enjoy life at sea with convenience

Transom mounted version



Under mounted version



## Discover the Luxurious Compact Presto Stair

### Effortless Access to the Water

The luxurious Presto Stair, seamlessly integrated beneath your swim platform and powered by a 12V electric actuator will get you in or out of the water in a new and more convenient way. Whether mounted under the swim platform or at the end of it as an extension, this innovative stair provide easy access to the water.

### Convenient and Quick Operation

With the included remote control, you can release or retract the stair in seconds, making it incredibly convenient to use. Enjoy effortless entry and exit from the water, relax on the stair, or use it to step onto the beach.

### Versatile and Compatible

Designed to fit any type of boat, from sport cruisers and pontoon boats to yachts and commercial vessels, the Compact Presto Stair is the perfect addition to enhance your boating experience.

### Durable and Corrosion-Resistant

Crafted from marine-grade aluminum 5083 and stainless-steel components, the stair is built to withstand the harsh conditions of saltwater environments, ensuring a long service life.

### Customizable Options

Choose optional Flexiteek decking and easily removable handlebars to match your specific needs and preferences. Upgrade your boat with the Ultra Compact Presto Stair and enjoy unparalleled convenience and durability on the water!

### Options:

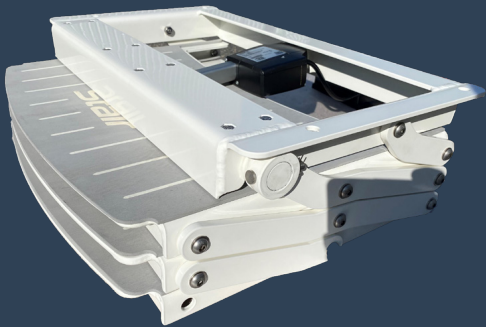
As standard the decking of the steps is made in a grip cover material. Add Flexiteek in light grey with white stripes and the P Stair logo nicely ingraved for a softer feel. Other colors on request.

Removable handlebars can also be added for safest entry to the waters.

# Features

Under or transom mounted available

Compact when Retracted  
Picture shows undermounted  
version



Marine aluminium  
5083 for best  
corrosion resistance



Extended for  
water access!



IP69K Remote controlled  
Waterproof Actuator



Retracted when  
not in use

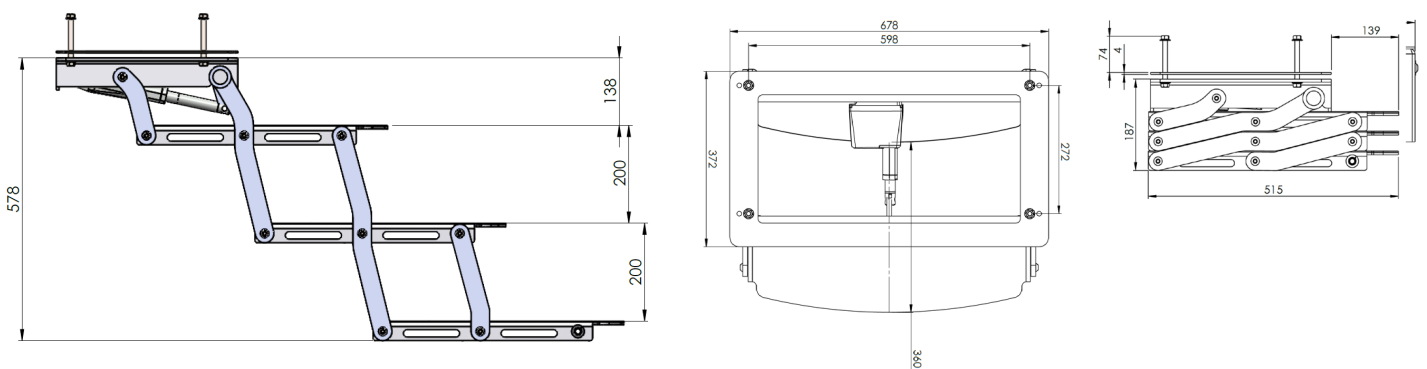
Flexiteek padding  
optional

# Technical data

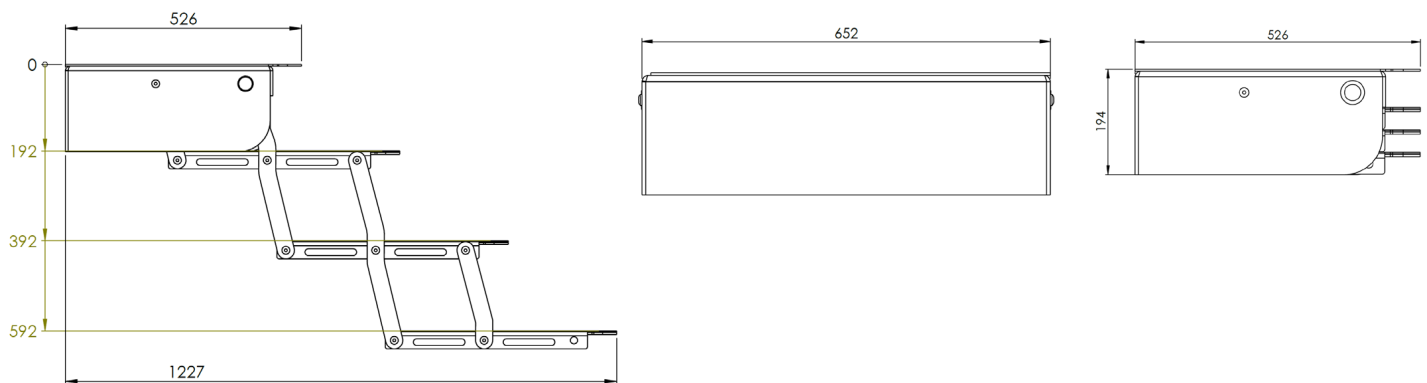
<b>Material:</b>	Lightweight 5083 corrosion resistant marine aluminum
<b>Weight under mounted:</b>	24.5kg (54lbs)
<b>Weight bracket:</b>	3.5kg (7.7lbs) used to make installation of undermounted version easy
<b>Weight transom mounted:</b>	34.5kg (76lbs)
<b>Finish:</b>	Anodized & Powder Coated white (other colors on request)
<b>Step finish:</b>	Powder coated, Anti slip, optional flexiteek
<b>Bolts and fasteners:</b>	Stainless Steel A4
<b>Actuator:</b>	IP69K (Waterproof and withstands high pressure washing)
<b>Power supply:</b>	12V-DC
<b>Width of steps:</b>	600mm (Other size on request)
<b>Operation:</b>	Remote Control

Coverision: 100mm = 3.94 inch

Dimensions Undermounted



Dimensions Transom (Aft) mounted



**How to buy the Presto Stairs: Get the RapiX from any Prestomarine Dealer.**

Visit [www.prestomarine.com](http://www.prestomarine.com) for our dealer network!

## About us

At Prestomarine we are committed to make boating easy, fun and safe.

With highest quality standards, our products are suitable for both recreational and professional use.

Prestomarine AB  
Bultgatan 13B  
442 40 Kungälv  
Sweden



Local Dealer: