



CUSTOM
Marine
DEVELOPMENTS

PART OF THE **Makefast** GROUP

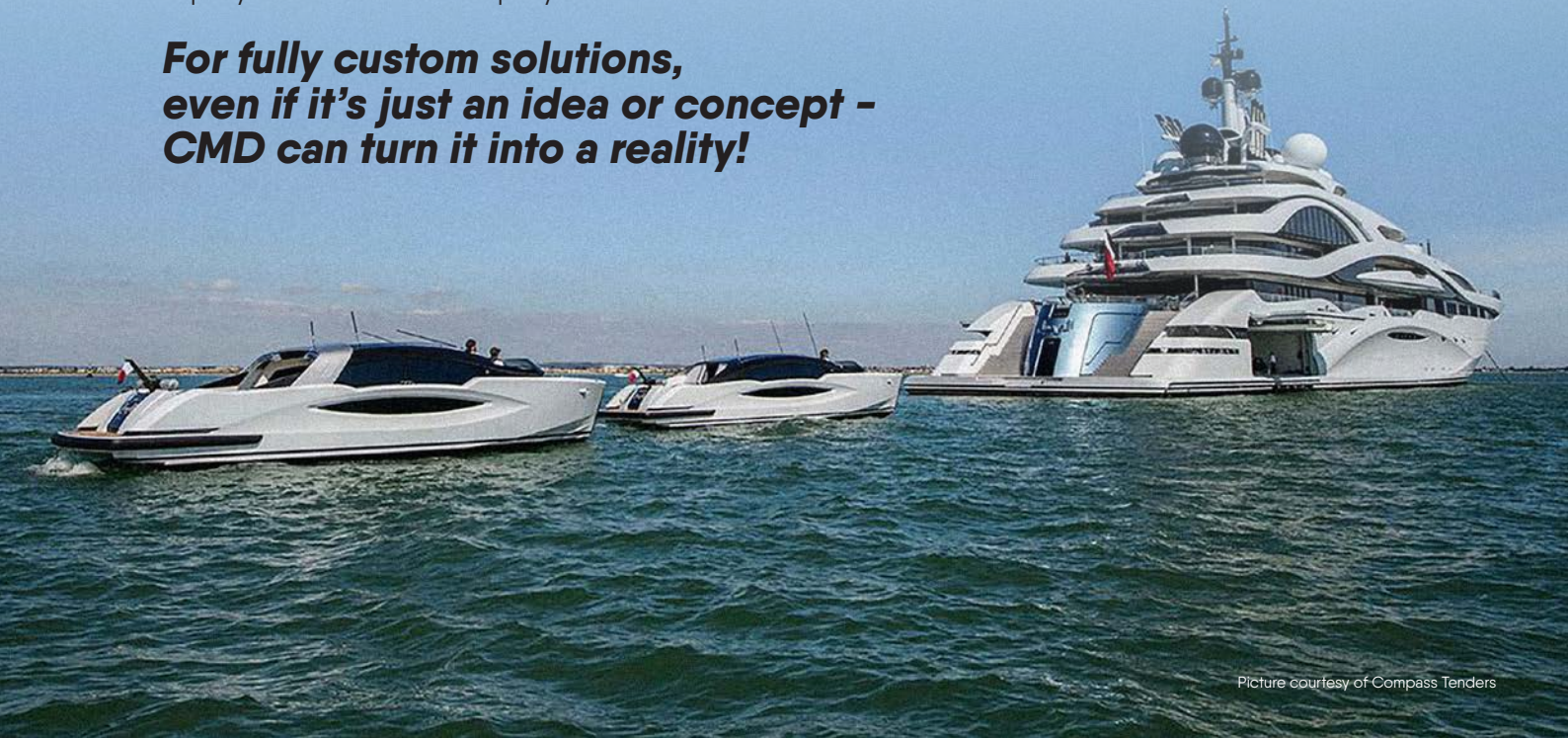
Makefast's ongoing expansion into new markets has necessitated a whole new special products division called Custom Marine Developments (CMD) to deal with one off developments and an increased presence in the superyacht market.

CMD works closely with many leading superyacht design houses and management services, as well as boatyards to provide innovative engineered solutions to realise any client's imagination. Each solution is designed, engineered, manufactured and serviced to the highest levels.

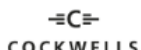
CMD can take on custom projects where a standard product will not work or a solution does not yet exist. Providing innovative engineered solutions to realise any client's imagination, CMD provide bespoke solutions for any project.

The team have completed extensive work on new build as well as many retro fit projects, CMD has quickly established itself as the 'go to' company for bespoke solutions for superyacht tenders and superyachts.

***For fully custom solutions,
even if it's just an idea or concept -
CMD can turn it into a reality!***



Picture courtesy of Compass Tenders



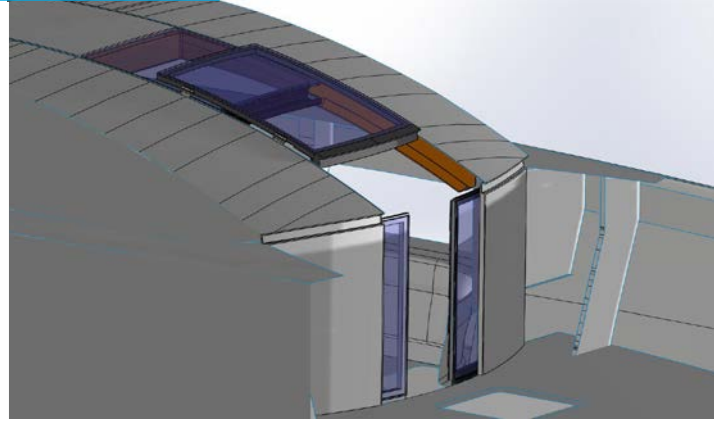
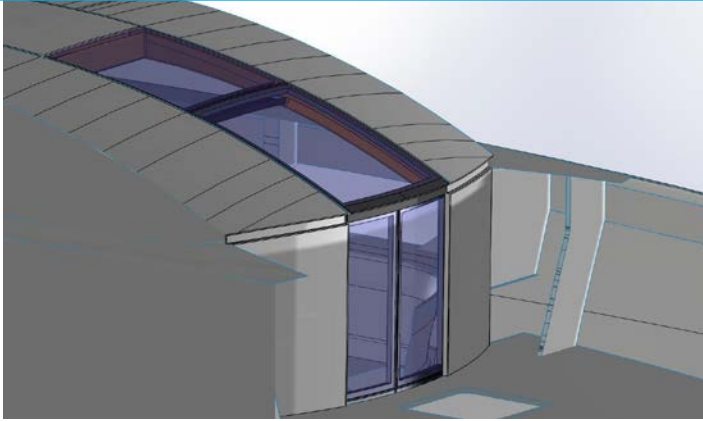
For enquiries please call
our technical sales team on
+44 (0)1686 629026,
email info@cmd.makefast.com or visit
www.cmd.makefast.com

FULL SERVICE DESIGN TO END PRODUCT

Design, Engineering, Manufacturing and Service are all covered by CMD.

CMD can supply drop in systems that are fully assembled and tested at CMD's facility. The systems can include door frames, roof frames, custom glass, custom blinds, anchors all finished bespoke specifications.

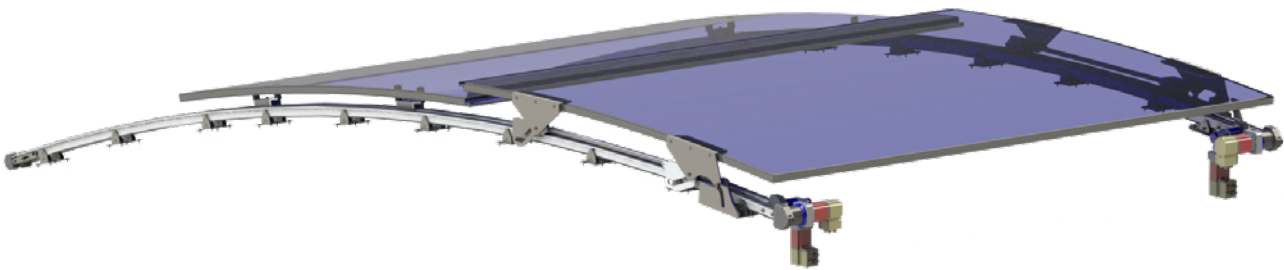
EXAMPLES OF CUSTOM SOLUTIONS



Bespoke design project for entrance to limousine tender

Bi-parting door sealing onto a lifting and sliding roof system—all weathertight and sealing, controlled by custom automation system. Produced in ANSI type 316 stainless steel with IP65+ motors.

Highly complex bespoke automation, all finished to Superyacht standards. From a concept to a design to a fully tested system installed by CMD's team. Clients only need to press the button!



CUSTOM DOOR SOLUTIONS

From design to production

Electrically powered sliding door system.

Supplied as a drop in system, fully water tested before being delivered to a boat builder on a custom project.

Each system is produced from ANSI type 316 stainless steel. Drives systems are IP 65 + rated with manual override featured as standard.

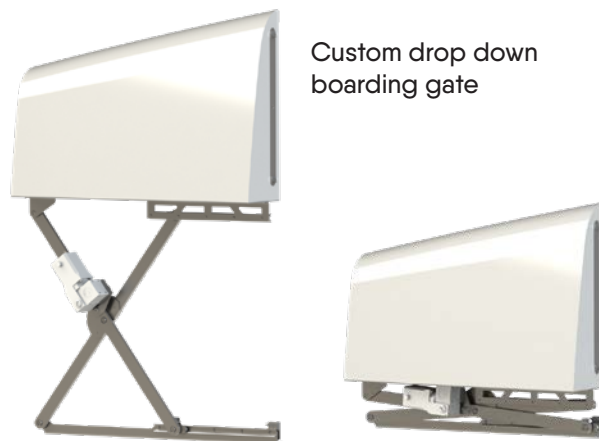


CUSTOM LIFTING SOLUTIONS

Electrically powered lifting system. Supplied as a drop in systems, each design is customised for the project to meet unique requirements.



Custom Full drop windows, supplied with seals and frames and custom glass units.



Custom drop down boarding gate

ROTARY SOLUTIONS

Customising Makefast's micro hydraulic system for a variety of custom applications in a range of power options from 32KgM to 250KgM:

- Rotating anchor systems
- Lifting T-top systems
- Drop down boarding platforms.



Picture courtesy of Pascoe International



Picture courtesy of Hodgdon Yachts

SLIDING SUNROOF & POWERED SUN AWNINGS

Larger versions of Makefast's standard systems: Roofs, awnings biminis are also produced by CMD for superyacht builders.

Scaling up the size of the systems used regularly on production boats to suit the needs of Superyacht builders.



**For fully custom solutions,
even if it's just an idea or concept -
CMD can turn it into a reality!**

For enquiries please call
our technical sales team on
+44 (0)1686 629026,
email info@cmd.makefast.com or visit

www.cmd.makefast.com