

DONIZETTI 2.0

Outdoor speaker lift



ELEGANT AUDIO LIFT

Audio technology and lifting system for a single product without compromising elegance and style



FORESTI & SUARDI



Solid and compact design

The solid and compact design of the Donizzetti 2.0 line makes it easy to install and suitable for any indoor or outdoor environment.

Its refined metal finish and customizable paint options make it ideal for integration into pools and hot tubs.

The concealed electric lift system allows the audio to be used only when needed, delivering high-quality sound with KGEAR's Slim Array and Pure Array technology, ensuring maximum directivity and minimal energy loss in unwanted directions.

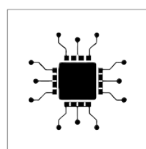
The result is incredibly immersive sound, with a wide horizontal dispersion angle and even sound coverage over distance.

The retractable function makes the speaker smooth and unobtrusive. Additionally, the top plate can be covered with various materials — from ship deck wood to similar finishes — making the speakers completely invisible when retracted.

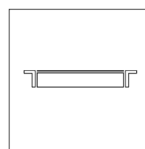
Whether you need to cover a small room or an outdoor space, the **Donizzetti 2.0** audio system is designed to provide uniform sound coverage and precise control.



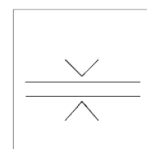
MAIN FEATURES



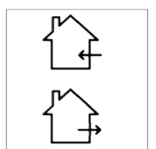
HOME
AUTOMATION
INTEGRATION



FLUSH
INSTALLATION



REDUCED
MOUNTING
DEPTH
H. 338mm



OUTDOOR
INDOOR



10000.2A.VN

Fin. Matte black painted



10000.2A.VB

Fin. Matte white painted



10000.2A.I

Fin. Mirror-polished stainless steel



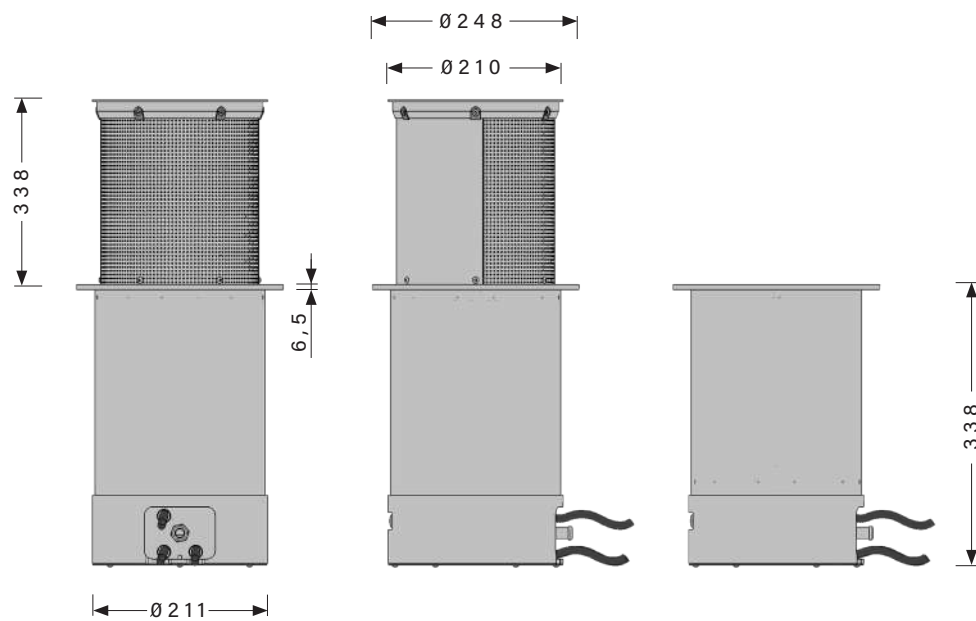


SPEAKER LIFT

SPECIFICATION



Dimension



General Specifications

Designer

Foresti&suardi

Weight

10,5 Kg

Housing

D. 248 H.338

Material

Stainless steel AISI 316

Placement

*Ship deck, near pools
and hot tubs.*

Specifiche apparecchio

Device voltage

24v

IP rating

IP 65

Connection cables

Length 1 m

Automation system power

7 W

Drainage

Hose holder D. 16mm



Audio Technical Specifications

Speaker

Kgear (Custom model)

Frequency response

150 Hz - 20 kHz (-6dB)

SPL Max

122 dB

Transducer

Kgear driver full-range With a 4-inch neodymium magnet

Speaker power

N° 2 140W speakers

Speaker type

Passive

Audio coverage

V. 90° IH.90°

The **Donizzetti 2.0** is equipped with a motorized drive system that allows the speakers to be raised and lowered flush with the floor inside a case measuring 248mm in diameter and 338mm in height. This case, which houses all the mechanical control components and speakers, also features drainage to enable use in outdoor environments.

The device is designed for marine environments on board vessels, built not only to withstand salt spray but also the harsh weather conditions at sea.

Designed to be covered on the top surface with a layer of teak to fully integrate it into the floor. The built-in speakers are two 140W passive Kgear drivers with a 90° vertical and 90° horizontal coverage and a frequency response of 150 Hz to 20 kHz (-6 dB).

The device operates at 24V DC and can be connected via a 2.5mm² neoprene cable. It is designed to allow opening and closing through start and stop signals, either from external control panels or directly via trigger signals with voltages ranging from 8 to 32V.

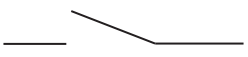
Alimentato a 24Vdc, il sistema permette la gestione dei comandi pop-up in due modalità:

- Normally Open (NO) contacts for up and down control
- Contacts trigger 8-32Vdc

It is also equipped with an internal limit switch for automatic positioning adjustment, with the possibility to access the status contact as a signal for other service and safety devices.



WIRING DIAGRAM

CABLE FUNCTION		N° CABLE	CABLE IDENTIFICATION
Power	+	+ 24VDC	POWER
	-	GND	
Input UP - DOWN  24 Vdc		1	DRIVE
		2	
Input trigger 8 - 32 VDC	+	5	
	-	6	
Closed limit switch signal (Normally Open)		7	
		8	
Audio connection	+	A +	SPEAKER
	-	A -	

POWER: Power connection +24VDC / - 24VDC
(Required for speaker opening and closing)

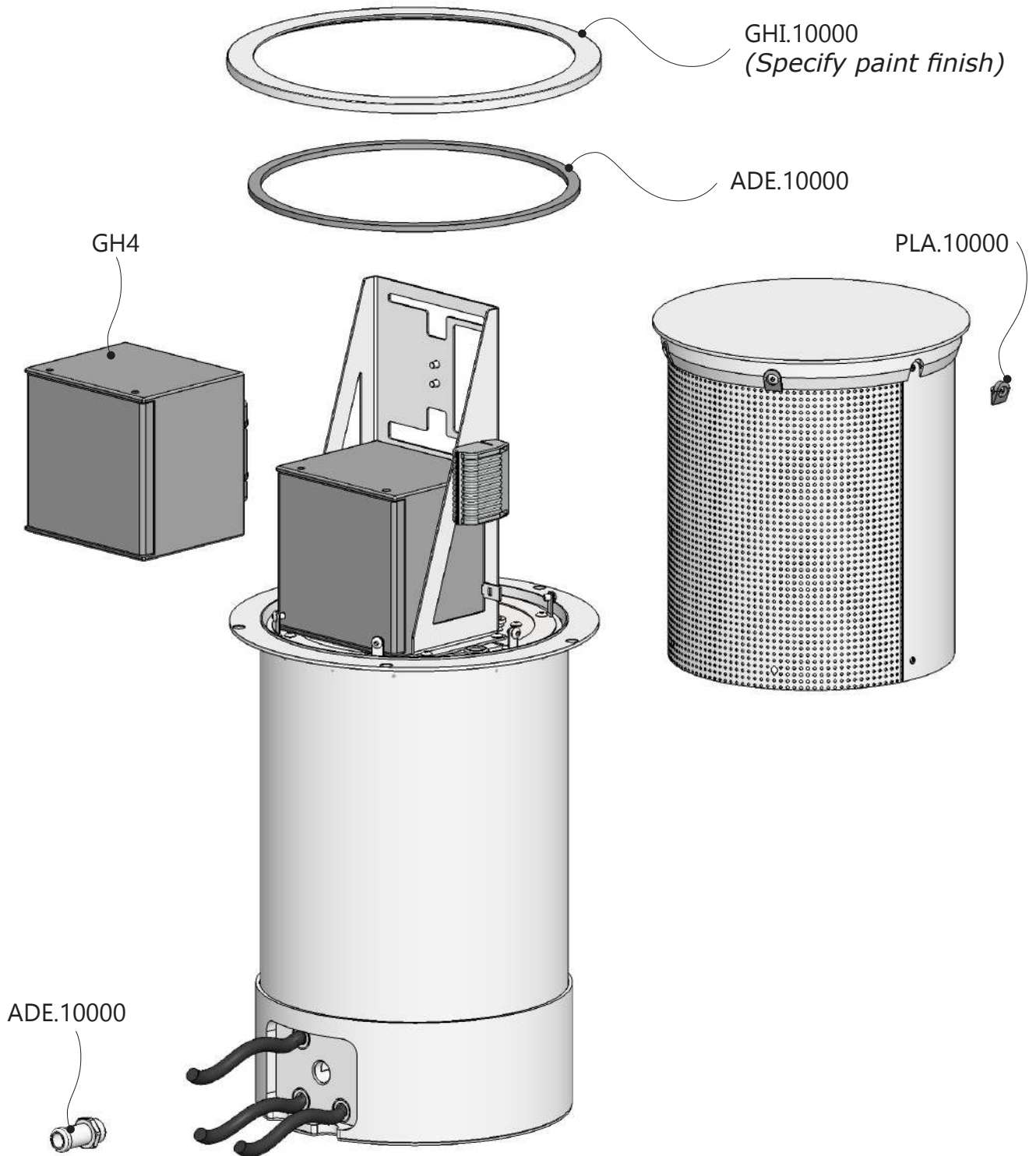
DRIVE:

- Connection input UP / DOWN 2VDC
(Optional, connectable to an external control panel or control system)
- Connection Input trigger 8 - 32 VDC
(Optional, connectable to control system)
- Connection for closed limit switch signal (**NO** normally open)
(Optional for open or closed speaker status notification)

SPEAKER: Speaker connection
(Necessary for audio operation)



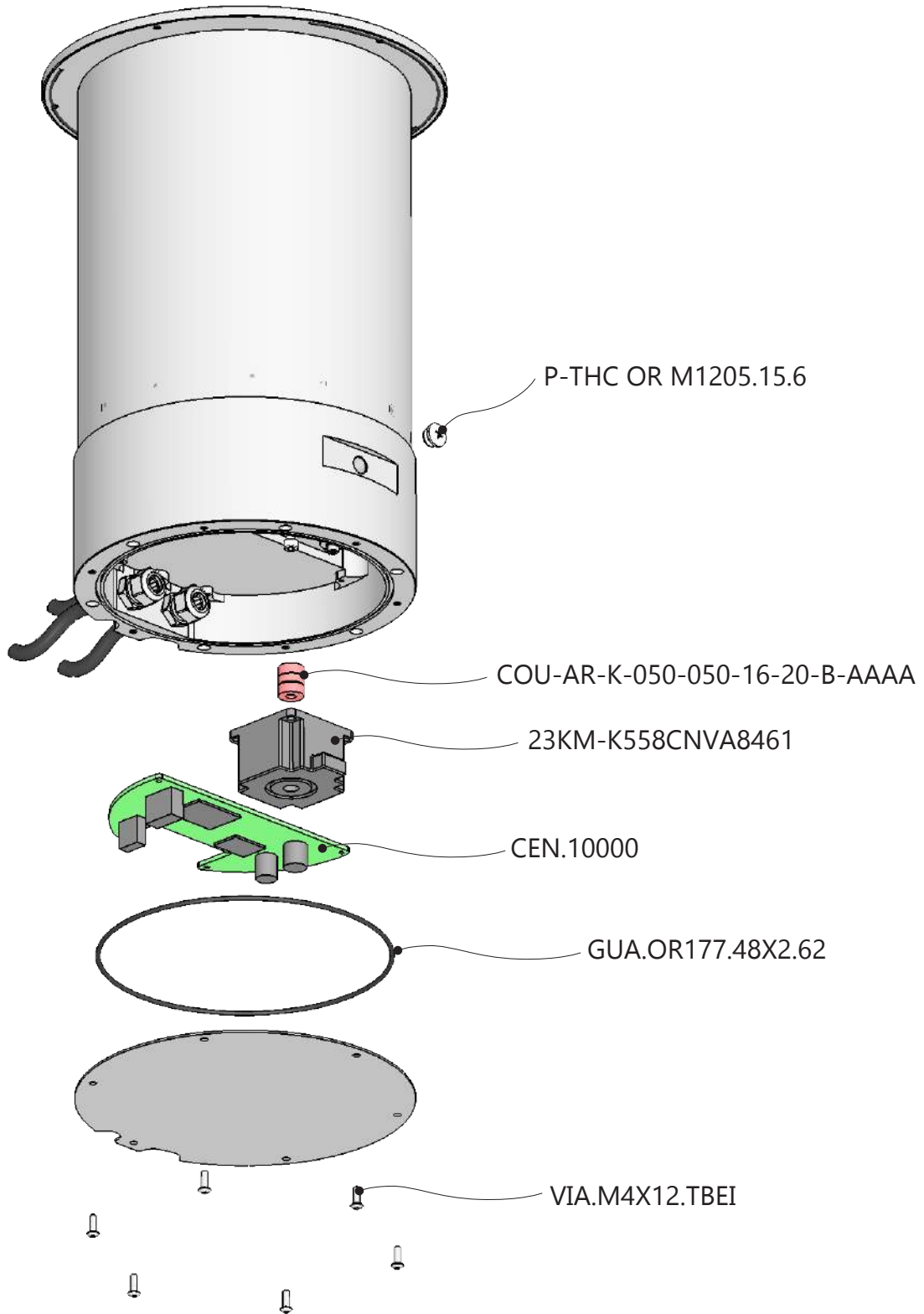
SPEAKER LIFT CONNECTION





SPEAKER LIFT

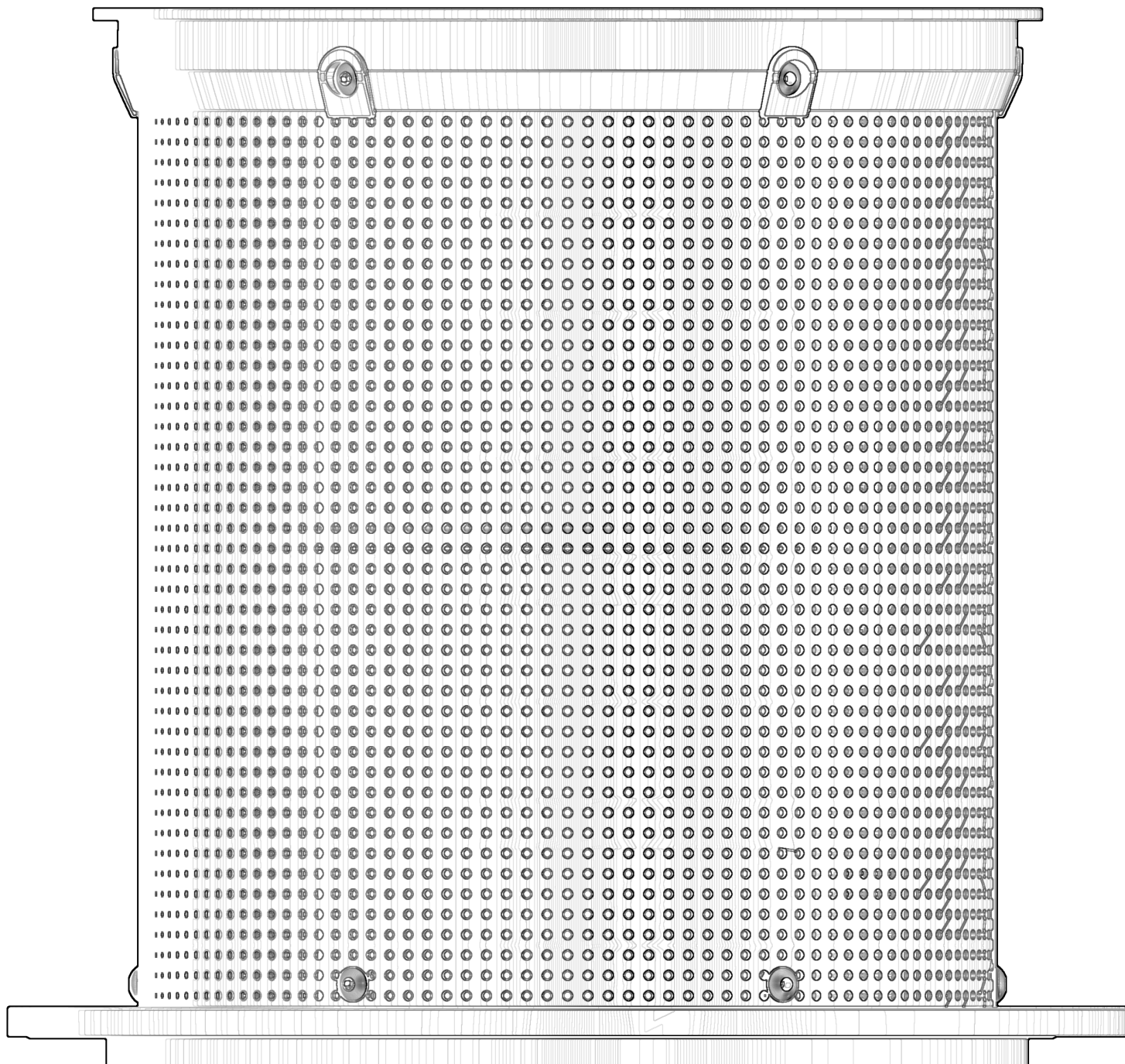
SPARE PARTS





-
- Innovative in audio performance and design
 - Eliminates the need for fixed speakers or cables that disrupt the room's design
 - Fully invisible speaker
 - AISI 316 stainless steel structure with a robust, vibration-free actuation system
 - Ideal for indoor and outdoor environments without visual obstructions
 - Adaptable to any design solution thanks to its shallow 350mm mounting depth
 - Fully integrated concealed position sensor
 - Compatible with home automation systems via standard clean contact inputs
 - Customizable in both materials and colors
 - Standard finishes include matte black, matte white, and polished stainless steel
 - Custom RAL paint finishes available upon request

EXPERIENCE EXCEPTIONAL AUDIO PERFORMANCE



 **FORESTI & SUARDI**

www.forestiesuardi.it