

GENZERO

PORTABLE POWER STATIONS



CATALOGUE 2026

SILENT. SAFE. SUSTAINABLY POWERED

ABOUT GENZERO

At GenZero, we're leading the charge toward a cleaner, quieter, and fuel-free future. Our innovative portable power stations are engineered to replace outdated petrol and diesel generators eliminating emissions, noise, and maintenance while delivering dependable performance across industrial and leisure environments.

With scalable models for remote sites, emergency preparedness, and off-grid adventures, GenZero provides freedom from fossil fuels without compromising on power or reliability.

OUR MISSION

To empower people, businesses, and communities with clean, portable energy anytime, anywhere. By replacing polluting generators with safe, silent, and sustainable alternatives.

OUR VISION

A world where portable power doesn't cost the earth where every tool, device, or adventure is powered by zero-emission energy that supports a healthier planet and a more resilient future.

CLEANER. QUIETER. READY FOR ANYTHING.

A BRAND BY





BATTERY MANAGEMENT SYSTEM

Designed to protect both the power station and connected devices, the BMS intelligently monitors performance and defends against:

Overcharging | Deep discharge | Voltage fluctuations |
Excessive current | System overload |
Short circuits | High and low temperature extremes |
Voltage inconsistencies | Cell imbalance |
Connection faults | Circuit anomalies



USER PROTECTION SYSTEM

Engineered for user safety and system integrity, this comprehensive protection suite ensures reliable performance across all use cases:

AC and DC overloads | Short circuits across all outputs |
Charging faults | Overcharging | Deep discharge |
Voltage fluctuations | Extreme temperatures |
Reverse charging | System faults | Internal errors |
Electrical surges



UNINTERRUPTED POWER SUPPLY

When plugged into the mains (bypass mode), devices are powered directly, with an automatic switch-over to battery within 30ms during outages



SAFER BATTERY CHEMISTRY

Built with advanced Lithium phosphate and Nickel Cobalt Manganese batteries for enhanced safety, longer lifespan, and greater thermal stability

INDUSTRIAL PORTABLE POWER SOLUTIONS. DE-CARBONISE YOUR WORKFORCE

NO MAINTENANCE

CUT LIFETIME COSTS BY UP TO 80% COMPARED TO FOSSIL FUEL POWERED GENERATORS

NO EMISSIONS

ELIMINATE EXHAUST GASES BY 100% FOR A SAFER AND CLEANER WORK ENVIRONMENT

NO NOISE

90% QUIETER THAN FOSSIL FUEL-POWERED GENERATORS, ELIMINATING NOISE POLLUTION

NO IMPACT

AVOID ENVIRONMENTAL DAMAGE WHILE REDUCING CARBON FOOTPRINT AND SITE DISRUPTION

**ENGINEERED FOR INDUSTRIAL-GRADE DURABILITY, DELIVERING RELIABLE OFF-GRID POWER WHEREVER YOU NEED IT. SIMPLY PLUG IN AND START WORKING
INSTANT HASSLE-FREE POWER**

Discover how our industrial power stations outperform traditional alternatives >>

COBALT 12000

PRODUCT CODE: GZ-COBALT-12000-110V/230V



INDUSTRIAL-GRADE DESIGN

RUGGED FOUR-WHEEL CHASSIS, LARGE-DIAMETER WHEELS, AND RUBBER BUMPERS ENSURE DURABILITY IN TOUGH ENVIRONMENTS

FLEXIBLE OUTPUT CONFIGURATION

AVAILABLE IN 230V & 110V SINGLE-PHASE, SPLIT-PHASE AND THREE-PHASE OUTPUTS

10 YEARS OF POWER

LFP BATTERIES ENSURE LONG-LASTING STABILITY AND ENHANCED SAFETY, DELIVERING 3000+ BATTERY CYCLES

INTEGRATED SOLAR INVERTER

ENABLES DIRECT SOLAR CHARGING, ENHANCING ENERGY EFFICIENCY AND SEAMLESS OFF-GRID POWER MANAGEMENT

UNINTERRUPTED POWER SUPPLY

ULTRA-FAST 10ms SWITCH-OVER ENSURES SEAMLESS OPERATION, KEEPING CRITICAL DEVICES POWERED WITHOUT INTERRUPTION

10
YEAR
PRODUCT
WARRANTY

5
YEAR
BATTERY
WARRANTY



BATTERY CAPACITY
7680 Wh



OUTPUT POWER
<12,000W



AC PEAK OUTPUT
<24,000W



AC VOLTAGE
110V | 230V



CHARGE TIME
1 Hr 10 Mins



WAVE TYPE
Pure Sine Wave



TOTAL WEIGHT
100KG



DIMENSION (mm)
840 x 670 x 490



OPERATING TEMP
-20°C ~ 50°C



STACKABLE EXPANSION BATTERY PACKS

ADD UP TO 31 BATTERY PACKS
Each with a capacity of **11,776Wh**

 IP43 RATED

TOTAL EXPANSION CAPACITY
372,736Wh

BLUETOOTH APP MONITORING



GenMate
AVAILABLE ON
IOS & ANDROID



LOCATION AWARENESS

The Genmate App shows the location of the connected mobile phone, helping you check where your GenZero is being used.



BATTERY STATUS

Track real-time battery health, including state of charge, run-time, and operating temperature for optimal performance and reliability



USAGE MONITORING

GenZero tracks access times and energy usage when connected to a router, giving you insight into system activity.

OPTIONAL USE IN PARALLEL

STACK TWO UNITS TOGETHER
Doubling the output Wattage and Runtime (230V model Only)



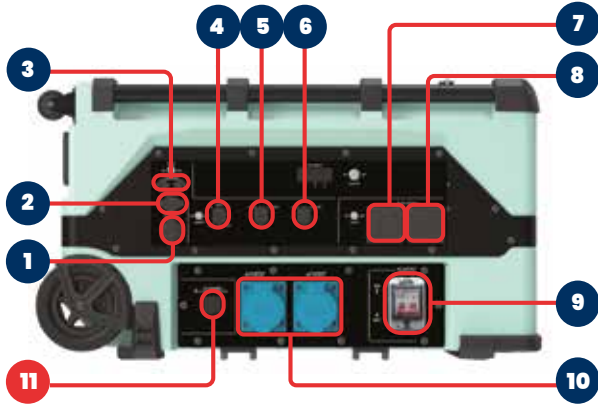
TOTAL PARALLEL CAPACITY
24,000W



2X 15W
WIRELESS
PHONE
CHARGER

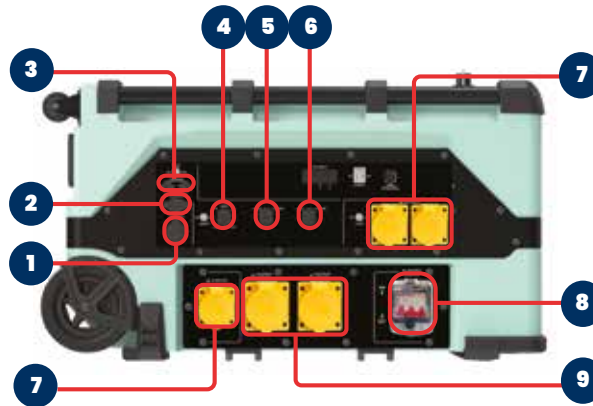
TAKE CONTROL OF YOUR POWER

SINGLE-PHASE 230V | 11,000W



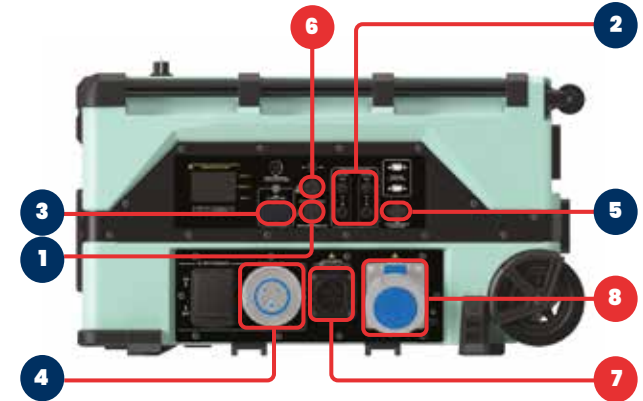
- 1 DC 12V 10A
- 2 DC 12V 30A
- 3 2x DC 12V 6A
- 4 2x USB-A 5V 3.1A
- 5 USB-A 3.0 + USB-C
- 6 USB-A 3.0 + USB-C
- 7 UK AC SOCKET
- 8 EU AC SOCKET
- 9 CIRCUIT BREAKER
- 10 2x 32A AC SOCKETS
- 11 OPTIONAL EV CHARGER OUTPUT

SINGLE-PHASE 110V | 11,000W



- 1 DC 12V 10A
- 2 DC 12V 30A
- 3 2x DC 12V 6A
- 4 2x USB-A 5V 3.1A
- 5 USB-A 3.0 + USB-C
- 6 USB-A 3.0 + USB-C
- 7 3x 16A AC SOCKETS
- 8 CIRCUIT BREAKER
- 9 2x 32A AC SOCKETS

SINGLE-PHASE CHARGING INPUTS



STANDARD CHARGING INPUTS

- 1 WIND TURBINE
- 2 HIGH-VOLTAGE SOLAR
- 3 16A AC
- 4 32A AC
- 5 ALTERNATOR DRIVE CHARGER

NON-AC MAINS CHARGERS SOLD SEPARATELY

OPTIONAL CHARGING INPUTS

- 6 LOW-VOLTAGE SOLAR
- 7 EV CHARGING CONNECTOR

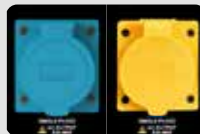
OPTIONAL EXTRA OUTPUTS

- 8 OPTIONAL THREE PHASE PARALLEL OUTPUT

OTHER OPTIONAL OUTPUT CONFIGURATIONS



THREE-PHASE
415V | 12,000W



SPLIT-PHASE
110V/230V | 10,000W

ALL SOCKETS (UK/EU/US) CAN BE CUSTOMISED AND CONFIGURED TO REQUIRED SPECIFICATION

INDUSTRIAL



TRAILERLESS TRANSPORT

Compact design, makes it easily stored and transported in the back of a vehicle



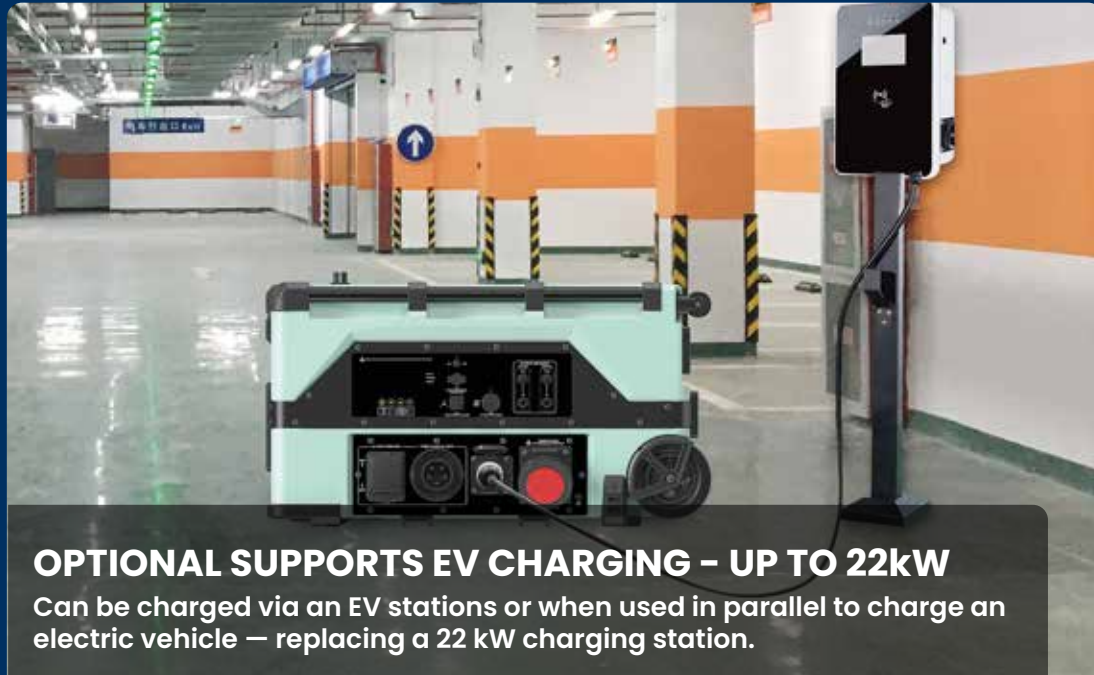
IP43 RATED

Designed for maximum Protection in Construction Environments



PATENTED COOLING SYSTEM

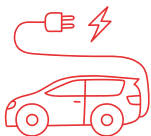
Maintains performance and quiet operation even when carrying out demanding tasks



OPTIONAL SUPPORTS EV CHARGING – UP TO 22kW

Can be charged via an EV stations or when used in parallel to charge an electric vehicle – replacing a 22 kW charging station.

IDEAL FOR POWERING



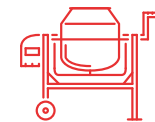
**ELECTRIC
VEHICLE**



**ELECTRIC
JACK HAMMER**



**DIAMOND
CORE DRILL**



**CEMENT
MIXER**

COBALT 6000

PRODUCT CODE: GZ-COBALT-6000-230V/110V



INDUSTRIAL-GRADE DESIGN

RUGGED FOUR-WHEEL CHASSIS, LARGE-DIAMETER WHEELS, AND RUBBER BUMPERS ENSURE DURABILITY IN TOUGH ENVIRONMENTS

FLEXIBLE POWER CONFIGURATION

AVAILABLE IN THREE-PHASE, SINGLE-PHASE, AND SPLIT-PHASE OUTPUTS

10 YEARS OF POWER

LFP BATTERIES ENSURE LONG-LASTING STABILITY AND ENHANCED SAFETY, DELIVERING 3000+ BATTERY CYCLES

INTEGRATED SOLAR INVERTER

ENABLES DIRECT SOLAR CHARGING, ENHANCING ENERGY EFFICIENCY AND SEAMLESS OFF-GRID POWER MANAGEMENT

UNINTERRUPTED POWER SUPPLY

ULTRA-FAST 20ms SWITCH-OVER ENSURES SEAMLESS OPERATION, KEEPING CRITICAL DEVICES POWERED WITHOUT INTERRUPTION

10
YEAR
PRODUCT
WARRANTY

5
YEAR
BATTERY
WARRANTY



BATTERY CAPACITY
5376 Wh



OUTPUT POWER
5000W | 6000W



AC PEAK OUTPUT
12000W



AC VOLTAGE
110V | 230V



CHARGE TIME
1 Hr 10 Mins



WAVE TYPE
Pure Sine Wave



TOTAL WEIGHT
70KG



DIMENSION (mm)
610 X 560 X 500



OPERATING TEMP
-20°C ~ 50°C



STACKABLE EXPANSION BATTERY PACKS

ADD UP TO 31 BATTERY PACKS
Each with a capacity of **5,376Wh**



IP43 RATED

TOTAL EXPANSION CAPACITY
172,032Wh

BLUETOOTH APP MONITORING



GenMate
AVAILABLE ON
IOS & ANDRIOD



LOCATION AWARENESS
The Genmate App shows the location of the connected mobile phone, helping you check where your GenZero is being used.



BATTERY STATUS
Track real-time battery health, including state of charge, run-time, and operating temperature for optimal performance and reliability

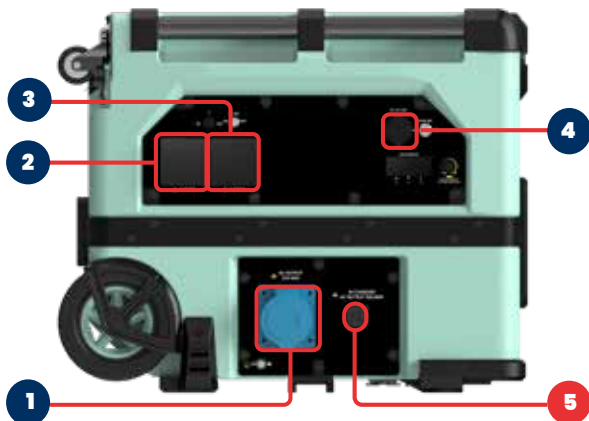


USAGE MONITORING
GenZero tracks access times and energy usage when connected to a router, giving you insight into system activity.



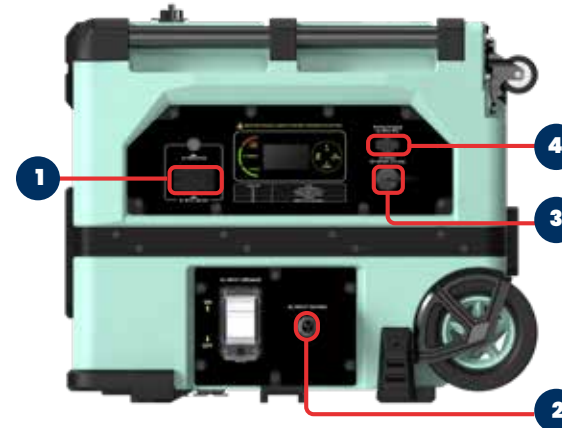
TAKE CONTROL OF YOUR POWER

SINGLE-PHASE 230V | 6000W



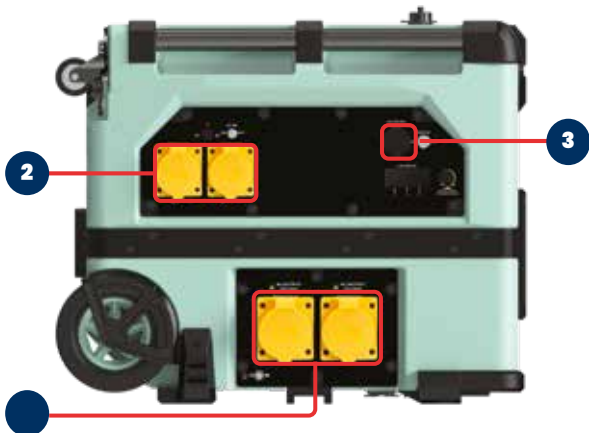
- 1 32A SOCKET
- 2 UK 230V SOCKET
- 3 EU 230V SOCKET
- 4 DC 12V 10A
- 5 OPTIONAL EV CHARGER OUTPUT

SINGLE-PHASE CHARGING INPUTS



- 1 16A AC
- 2 32A AC
- 3 SOLAR INPUT
- 4 ALTERNATOR DRIVE CHARGER

SINGLE-PHASE 110V | 5000W



- 1 2x 32A AC SOCKETS
- 2 2x 16A AC SOCKETS
- 3 DC 12V 10A

NON-AC MAINS CHARGERS SOLD SEPARATELY

110V: MAX. 150V/3000W
230V: MAX. 450V/5500W

CUSTOMISE YOUR OUTPUT CONFIGURATIONS

ALL SOCKETS (UK/EU/US) CAN BE CUSTOMISED AND CONFIGURED TO REQUIRED SPECIFICATION



INDUSTRIAL



EASILY TRANSPORTED

Mobility built in with a telescopic handle and large wheels. Relocates with ease, wherever you need it



IP43 RATED

Designed for maximum Protection in Construction Environments



PATENTED COOLING SYSTEM

Versatile Applications from Construction sites to Film studios



INDUSTRIAL GRADE POWER – ANYWHERE

Engineered for industry, adaptable for life power your RV, site cabin, or mobile workspace with ease

IDEAL FOR POWERING



CUT-OFF SAW



ELECTRIC JACK HAMMER



DIAMOND CORE DRILL



CONSTRUCTION TABLE SAW

COBALT 3600

PRODUCT CODE: GZ-COBALT-3600-230V/110V



INDUSTRIAL-GRADE DESIGN

RUGGED FOUR-WHEEL CHASSIS, LARGE-DIAMETER WHEELS, AND RUBBER BUMPERS ENSURE DURABILITY IN TOUGH ENVIRONMENTS

ULTRA-FAST CHARGING

RECHARGES TO 80% IN JUST ONE HOUR AND FULL CHARGE IN 1 HOUR 30 MINUTES, ENSURING MINIMAL DOWNTIME

10 YEARS OF POWER

LFP BATTERIES ENSURE LONG-LASTING STABILITY AND ENHANCED SAFETY, DELIVERING 3000+ BATTERY CYCLES

INTEGRATED SOLAR INVERTER

ENABLES DIRECT SOLAR CHARGING, ENHANCING ENERGY EFFICIENCY AND SEAMLESS OFF-GRID POWER MANAGEMENT

UNINTERRUPTED POWER SUPPLY

HIGH-SPEED 20ms SWITCH-OVER ENSURES SEAMLESS OPERATION, KEEPING CRITICAL DEVICES POWERED WITHOUT INTERRUPTION

10
YEAR
PRODUCT
WARRANTY

5
YEAR
BATTERY
WARRANTY



BATTERY CAPACITY
3430 Wh



OUTPUT POWER
3600W



AC PEAK OUTPUT
7200W



AC VOLTAGE
110V | 230V



CHARGE TIME
1 Hr 30 Mins



WAVE TYPE
Pure Sine Wave



TOTAL WEIGHT
45KG



DIMENSION (mm)
555 x 430 x 420



OPERATING TEMP
-20°C ~ 50°C



STACKABLE EXPANSION BATTERY PACKS

ADD UP TO 31 BATTERY PACKS
Each with a capacity of **3430Wh**

TOTAL EXPANSION CAPACITY
109,760Wh



OPTIONAL USE IN PARALLEL

STACK TWO UNITS TOGETHER
Doubling the output Wattage and Runtime (230V Model Only)



TOTAL PARALLEL CAPACITY
7200W

BLUETOOTH APP MONITORING



GenMate
AVAILABLE ON
IOS & ANDROID



LOCATION AWARENESS

The Genmate App shows the location of the connected mobile phone, helping you check where your GenZero is being used.



BATTERY STATUS

Track real-time battery health, including state of charge, run-time, and operating temperature for optimal performance and reliability



USAGE MONITORING

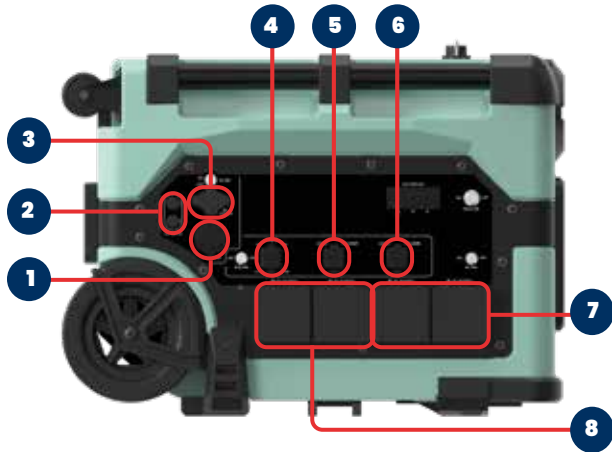
GenZero tracks access times and energy usage when connected to a router, giving you insight into system activity.



2X 15W
WIRELESS
PHONE
CHARGER

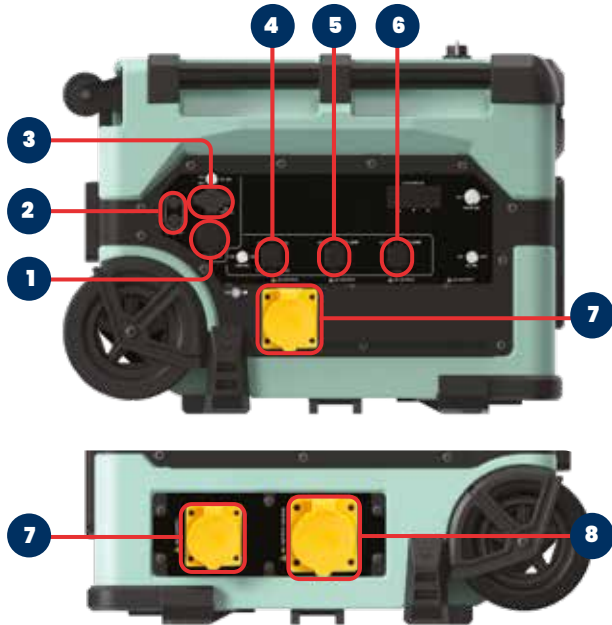
TAKE CONTROL OF YOUR POWER

SINGLE-PHASE 230V | 3600W



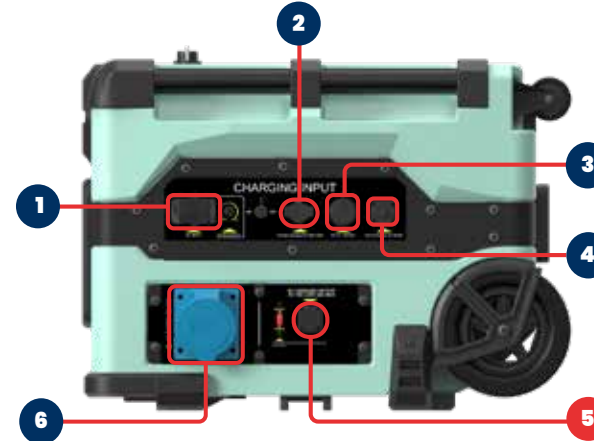
- 1 DC 12V 10A
- 2 2x DC 12V 6A
- 3 DC 12V 30A
- 4 2x USB-A 5V 3.1A
- 5/6 USB-A 3.0 + USB-C
- 7 UK AC SOCKET
- 8 EU AC SOCKET

SINGLE-PHASE 110V | 3600W



- 1 DC 12V 10A
- 2 2x DC 12V 6A
- 3 DC 12V 30A
- 4 2x USB-A 5V 3.1A
- 5/6 USB-A 3.0 + USB-C
- 7 2x 16A AC SOCKET
- 8 32A AC SOCKET

SINGLE-PHASE CHARGING INPUTS



- 1 16A AC
- 2 ALTERNATOR DRIVE CHARGER
- 3 SOLAR INPUT
- 4 WIND TURBINE
- 5 OPTIONAL EV CHARGER OUTPUT
- 6 32A AC OUTPUT

NON-AC MAINS CHARGERS SOLD SEPARATELY



CUSTOMISE YOUR OUTPUT CONFIGURATIONS

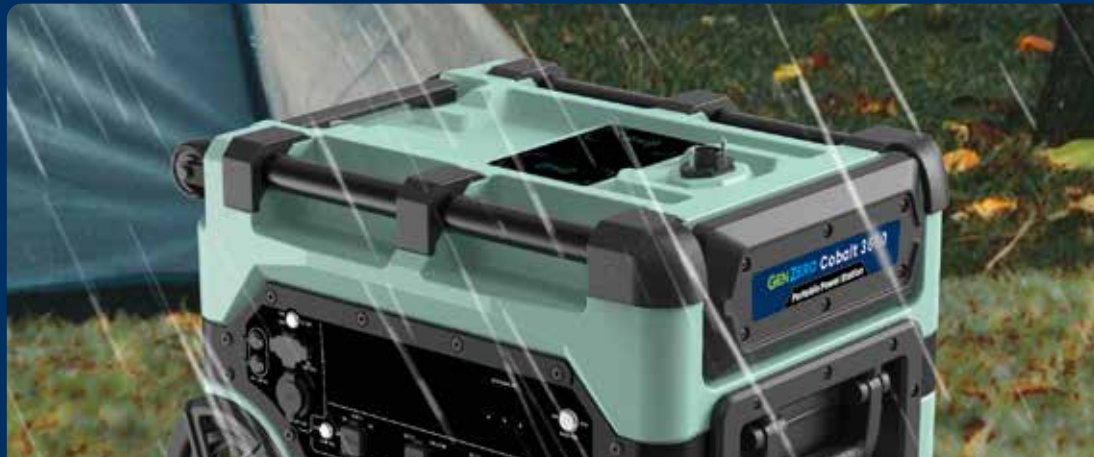
ALL SOCKETS (UK/EU/US) CAN BE CUSTOMISED AND CONFIGURED TO REQUIRED SPECIFICATION

INDUSTRIAL



EASILY TRANSPORTED

Mobility built in with a telescopic handle and large wheels - Relocates with ease, wherever you need it



IP43 RATED

Designed for maximum Protection in Harsh Environments



PATENTED COOLING SYSTEM

Versatile Applications From Construction sites to Film studios



SUPPORTS EV & ALTERNATOR CHARGING

Use the built-in EV charger for emergency top-up charging, or charge while driving (<600 W). For high-power charging, connect in parallel to deliver up to 7 kW of charging power

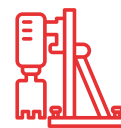
IDEAL FOR POWERING



CUT-OFF SAW



ELECTRIC JACK HAMMER



DIAMOND CORE DRILL



CONSTRUCTION TABLE SAW

GENZERO

PORTABLE POWER STATIONS



GenZero - A brand of NightSearcher
Unit 4, Applied House, Fitzherbert Spur,
Portsmouth, Farlington, PO6 1TT, UK
023 9238 9774
sales@nightsearcher.co.uk
www.nightsearcher.co.uk

Poland
NightSearcher Export
Garbary 53,
61-869 Poznan, Poland
+48 61 624 29 98

Germany
NightSearcher Lichttechnik
Stadtweide 17
46446 Emmerich am Rhein,
Germany
+49 282 2602 3110

All information is correct at the time of press, we reserve the right to alter product specifications at any time and for any reason without liability. Product illustrations and effects may be simulated. Errors and omissions excepted.