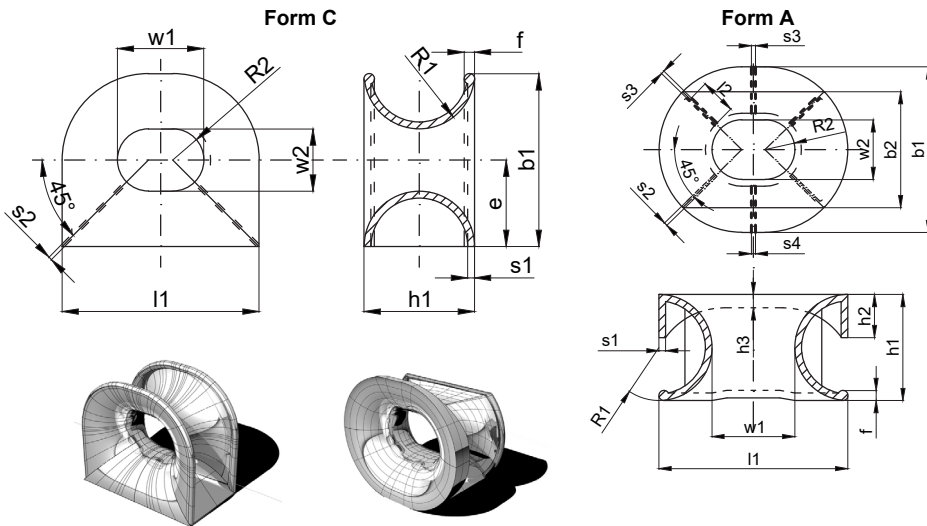


PANAMA chock IMO 1175 (derived DIN 81915)



Certifications:



Custom:

are available on request,
(weather type covers, horns,
openable, basement, triangles
type, stainless steel complet
or throat only)

DES	SWL (Tons)	b1	b2	e	f	h1	h2	h3	l1	r1	r2	w1	w2
1	21	250	175	125	15	160	65	20	285	80	45	125	90
2	31	315	225	157.5	18	200	70	25	360	100	57.5	160	115
3	45	390	275	195	21	250	75	32	450	125	70	200	140
5	62	480	340	240	24	300	80	38	550	150	90	250	180
8	84	585	340	292.5	27	360	90	45	680	180	112.5	320	225
12	114	710	500	355	30	440	110	55	840	220	135	400	270
20	148	840	595	420	33	520	130	65	1020	260	160	500	320
32	320	1100	800	550	-	700	150	80	1300	350	200	600	400
32-1	320	1100	-	550	-	700	-	-	1300	350	200	600	450
32-2	350	1010	-	370	75	560	-	-	1160	280	225	600	450

