

TALÉO  [®]

 **DAME** DESIGN
AWARD

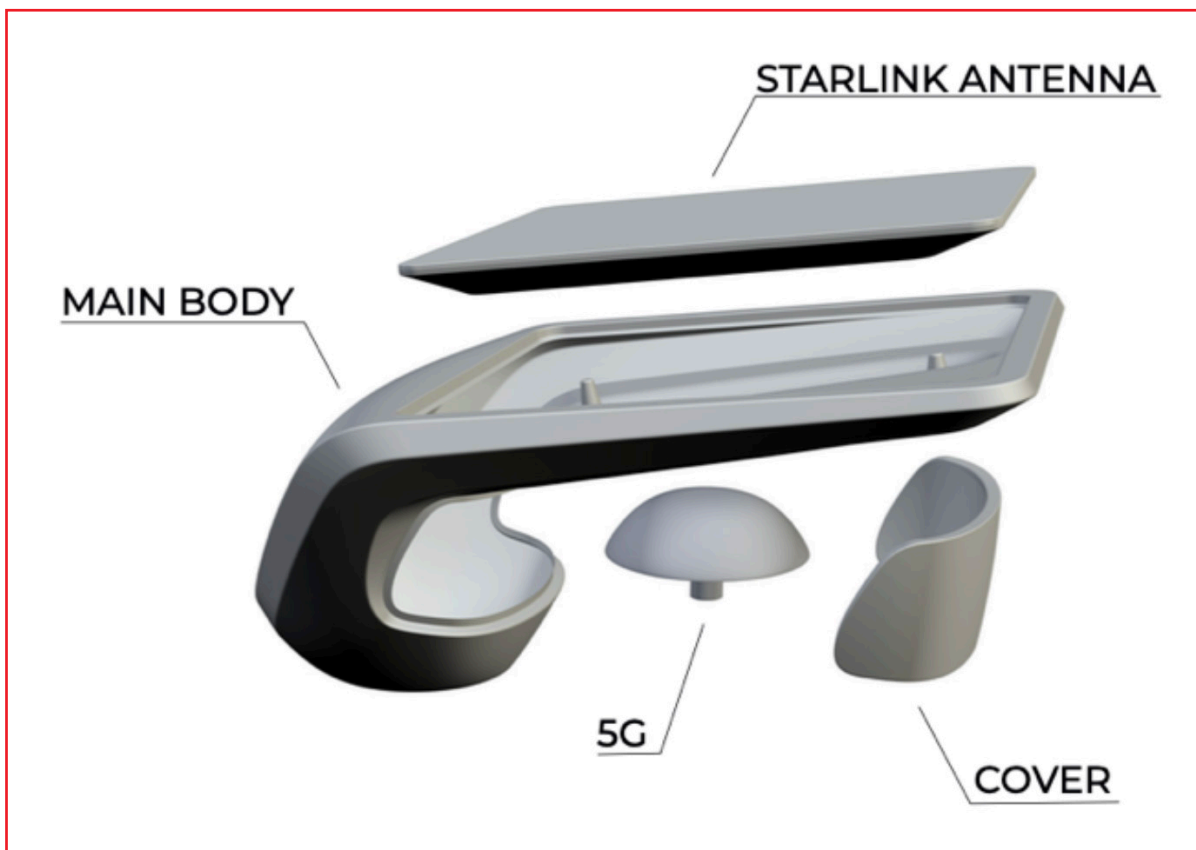
TALÉO[®]
Next-generation internet.
Next-generation design.



1. Executive Summary

In an era where yacht design merges high technology with minimalist elegance, onboard connectivity has lagged behind—bulky domes, visible cables, and inconsistent performance continue to break the illusion of seamless luxury.

TALÉO® is here to change that.



Designed for performance. Built for beauty. Connected like never before.

A patented innovation that unifies Starlink LEO and terrestrial 5G in one streamlined, design-integrated solution, TALÉO® redefines how connectivity can be built into the vessel design seamlessly. Inspired by the aerodynamic HALO of Formula 1, TALÉO® offers high-performance internet in a form that enhances the visual and functional flow of any superyacht, performance cruiser, or sailing yacht.

More than a technical component, TALÉO® sets a new standard for discreet, efficient, and sustainable maritime connectivity.

2. The Problem: Legacy Connectivity in a Design-First Era

Modern yacht design is defined by:

- Clean lines and aerodynamic profiles
- Integrated technology
- Seamless onboard experiences

And yet, traditional maritime connectivity relies on:

- Oversized, intrusive VSAT domes
- Complex, multi-device setups
- Exposed cabling and clunky installation
- Poor aesthetic fit with custom yacht architecture

These systems not only disrupt the design harmony of high-end vessels—they're often costly, high-maintenance, and underperforming.

3. The Solution: TALÉO®

TALÉO® (Terrestrial Antenna and Low Earth Orbit) is a patented connectivity system that merges Starlink Maritime and terrestrial 5G within a single, compact wing. Its aerodynamic form, inspired by the F1 Halo, minimizes visual and physical drag—ensuring form and function coexist beautifully.



WITH LEGACY VSAT DOMES



WITH TALÉO®

Photo Credit ©Azimut/Benetti Group

Its compact, fluid-dynamic design not only reduces drag but also lowers material and fuel impact — supporting both performance and sustainability. Compared to traditional multi-dome setups, TALÉO® eliminates redundant hardware, reduces packaging waste, and requires less shipping volume.

4. Design-Driven Engineering

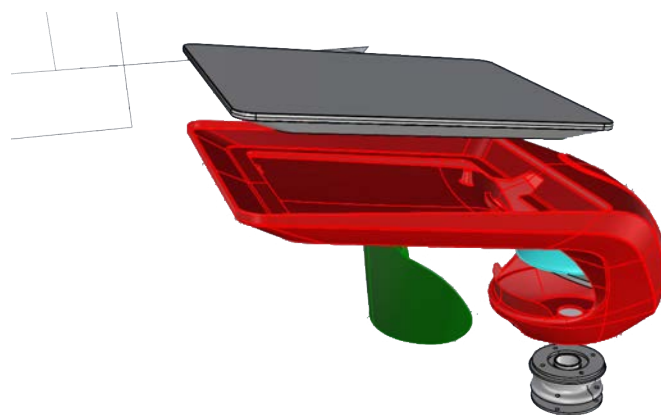
Inspired by Formula 1. Built for the Sea. The unique form of TALÉO® draws inspiration from the FI HALO — a component that incorporates protection, performance, and airflow optimization into a single design element.



This principle has been translated into the marine world:

- Aerodynamic form** that minimizes drag (especially critical on sailing and high-speed motor yachts)
- Low visual profile**, harmonizing with the vessel's silhouette
- No exposed wiring**, flush-mounted with waterproof sealing
- Custom paint finish**, ensuring aesthetic integration with hull or superstructure

Design isn't sacrificed for performance — it is enhanced by it.



5. Key Features for Yacht Designers and Owners

Integrated Starlink + 5G

Dual-band connectivity combines low-earth orbit (LEO) satellite and terrestrial 5G in a single unit — ensuring seamless, high-speed access offshore, in port, or underway, with automatic redundancy and failover.

Modular by Design

TALÉO[®] is engineered as a modular platform, allowing integration of additional components such as radar or communications modules. Ideal for custom builds and refits requiring tactical flexibility or future expansion.

Minimalist, Clean Installation

Delivered with waterproof gaskets, sealed interfaces, and an internal access hatch for field servicing. No visible cables, no structural modifications — just a clean, secure fit.

Customizable Finish

The aerodynamic wing can be painted to match the yacht's livery, superstructure, or mast — blending effortlessly or making a statement, depending on your design intent.

Slim, Aerodynamic Profile

Inspired by the HALO of F1 cars, the compact form reduces drag and visual disruption — a performance advantage for sailing yachts, fast cruisers, and design-forward builds.

Scalable for Fleets or New Builds

Compatible with leading marine connectivity systems (Peplink, Taoglass, Poynting), TALÉO[®] adapts easily to vessels of all sizes and build stages — from custom one-offs to fleet-wide rollouts.

Lower Environmental Impact

By consolidating two technologies into one compact form, TALÉO[®] reduces total material use, installation components, and packaging. Its lightweight, aerodynamic profile contributes to fuel efficiency—especially on sailing yachts and fast motor vessels.

6. Use Cases on the Water

Superyachts

For designers, architects, and captains, TALÉO[®] solves the conflict between high-end design and high-speed connectivity. It enables guests and crew to stream, navigate, and communicate—without compromising aesthetics, deck layout, or yacht architecture. Custom paint finishes and seamless installation ensure it integrates as elegantly as any design element onboard.

Luxury Sailing Yachts

Large, design-led sailing yachts require every onboard element to serve both a functional and visual purpose. TALÉO[®] delivers high-performance connectivity in a refined, discreet form that blends with the yacht's lines & materials. It's a connectivity solution that looks like it was built into the concept — not added after the fact.

Racing Yachts

For regatta racers, carbon cruisers, and offshore performance yachts, TALÉO[®] offers a compact, aerodynamic profile with near-zero drag. Its lightweight construction and minimal footprint make it ideal for speed-critical applications, providing uninterrupted Starlink and 5G access without sacrificing performance or adding unnecessary bulk.

Explorers

Purpose-built for remote cruising, TALÉO[®] provides reliable connectivity whether hugging the coastline or venturing into the high seas. The dual-channel integration (LEO satellite + 5G) ensures connectivity across varied environments—without complex systems or specialist servicing.

High-Speed Luxury RIBs

Luxury RIBs often go far, fast—and remain digitally isolated. TALÉO[®] offers a sleek, lightweight solution for these high-performance vessels, providing full connectivity while preserving speed, agility, and design integrity. Perfect for standalone use or as part of a broader mothership setup.

Tenders, Lifeboats & Emergency Kits

TALÉO[®] EMERGENCY offers rapid-deploy connectivity in a portable, self-powered format. Ideal for explorer yacht tenders, chase boats, or life-saving systems, it includes a rugged case, Starlink Mini, and internal battery power — ensuring communications are available when and where they're needed most.

From flagship superyachts to minimalist racers, high-speed RIBs to explorer tenders — TALÉO[®] delivers ultra-fast, design-integrated connectivity across every class of vessel.

7. Simpler Installation, Smarter Maintenance

Plug-and-play simplicity, dressed in high-end design.

- Pre-fitted installation kit for deck or mast mounting
- Watertight gasket system ensures long-term protection
- Internal access hatch for fast, tool-free servicing
- Compatible with third-party modems, routers, and connectivity systems

8. Technical Overview

Component	Specification
Materials	Marine-grade fiberglass with UV-protected finish
Connectivity	Starlink Maritime + 5G (dual-band failover)
Interface	Multi-device compatibility
Finish	Custom paintable to match yacht design
Protection	IP-rated, salt/spray/impact resistant
Power	12V/24V DC, surge-protected
Weight	Lightweight construction (specs available)
Installation	Supplied kit with sealed ports and fasteners
Eco Impact	Fewer parts, smaller packaging, lower drag = less fuel

9. Conclusion: A New Standard in Yacht Connectivity

TALÉO® is connectivity by design: fast, flawless, and future-ready.

For years, onboard connectivity has forced designers and builders to compromise — choosing between performance and appearance. With TALÉO™, that trade-off disappears.

Whether you're building a minimalist sailing vessel, a 70-meter superyacht, or a next-gen catamaran, TALÉO® ensures your vessel is as connected as it is beautiful.

“TALÉO® brings connectivity out of the shadows and into the design language of the yacht itself.”