



Anchor Systems



180° ROTATING ANCHOR



LEVER ACTION ANCHOR

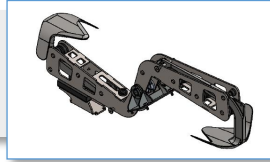
Used by



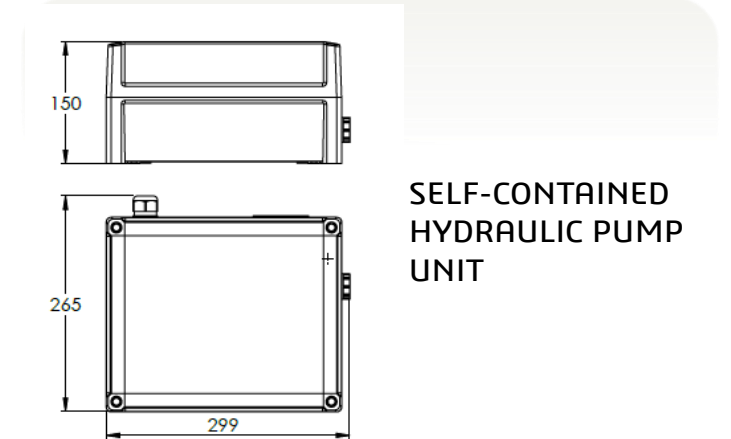
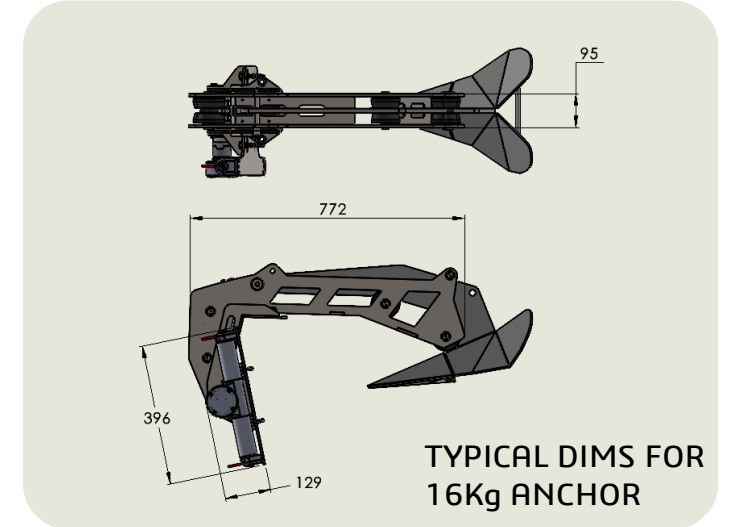
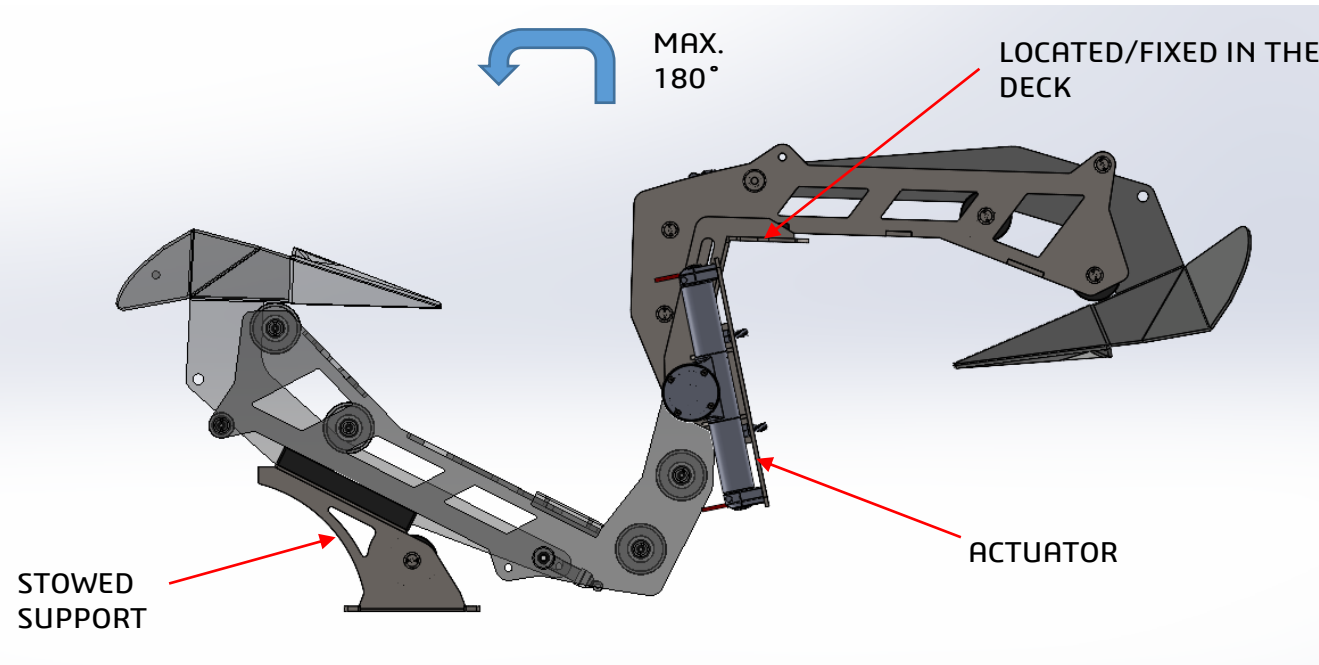
CUSTOM
Marine
DEVELOPMENTS



180° ROTATING ANCHOR



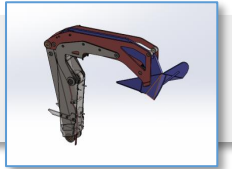
- Rotates the anchor up to 180° to store away in the hull
- Can move up to 25kg Delta or claw style anchor
- Runs off a self-contained hydraulic pump which only requires 12/24V dc supply and control switch
- Manual over-ride in case of power failure
- 316 Stainless steel framework with Delrin rollers
- Other requests/ add-ons can be investigated and implemented please contact us with your requirements



CUSTOM
Marine
DEVELOPMENTS

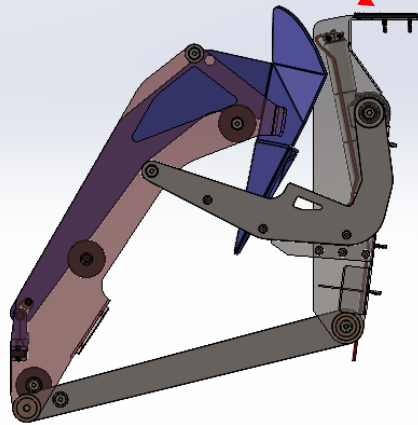


LEVER ACTION ANCHOR

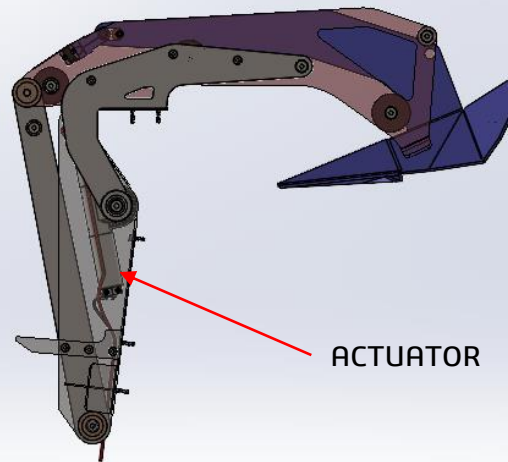


- Rotates the anchor to store away in the hull vertically
- Can move up to 20kg Delta style anchor
- Runs off a self-contained hydraulic pump which only requires 12/24V dc supply and control switch
- Manual over-ride in case of power failure
- 316 Stainless steel framework with Delrin rollers
- Other requests/ add-ons can be investigated and implemented please contact us with your requirements

PERMANENT LOCATOR
IN THE DECK

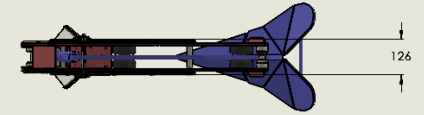


STOWED

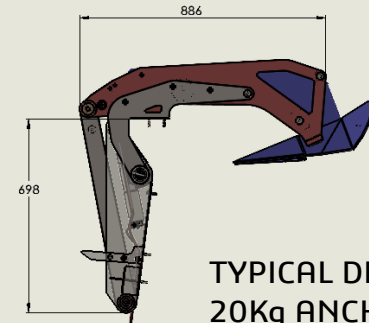


ACTUATOR

DEPLOYED



126



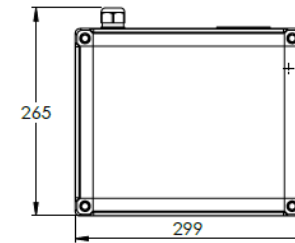
886

698

TYPICAL DIMS FOR
20Kg ANCHOR



150



265

299

SELF-CONTAINED
HYDRAULIC PUMP
UNIT



CUSTOM
Marine
DEVELOPMENTS



Anchor Systems

Contact Custom Marine Developments

Unit 8a Dyffryn Industrial estate, Newtown, Powys, SY16 3BD

Telephone

+44 (0)1686 621 026

Email

info@c-m-d.co.uk