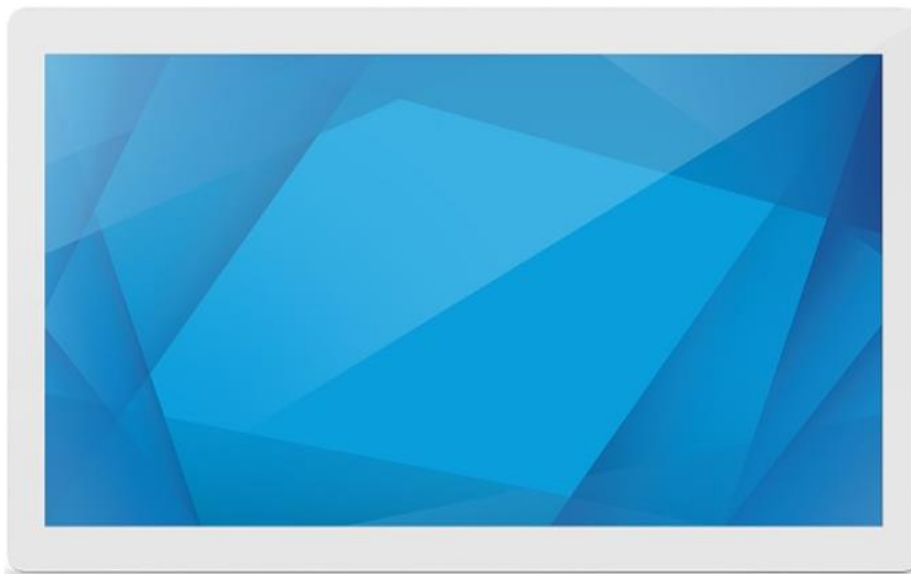


11.6 inch Capacitive Touchscreen Monitor



COMPLIANCE WITH DIRECTIVES

Directive GPS 2001/95/WE

Directive EMC 2014/30/UE

Directive RED 2014/53/UE

Directive RoHS 2011/65/UE

Directive RoHS 2018/736



IMPORTANT INFORMATION

READ THIS DATASHEET BEFORE ATTEMPTING TO INSTALL THE DEVICE



Read the contents of the datasheet before installation. Failure to follow the recommendations in the datasheet and other requirements of diligence appropriate to the nature of the equipment may: prove hazardous to life/health, cause damage to the equipment or the installation to which it is connected, result in damage to other property, or violate other applicable regulations. The manufacturer of the equipment, Yacht Concept sp. z o.o., assumes no liability for damages (property and non-property) resulting from installation and/or use of the equipment not in accordance with the datasheet and/or due care in handling the equipment in question.



WATCH THE PARAMETERS

The device's power supply, permissible load or other characteristic parameters must comply with the device's specifications.



DO NOT MODIFY

Do not modify this device in any way not included in this datasheet.



OTHER DEVICES

The manufacturer, Yacht Concept sp. z o.o. will not be held responsible for any damage or loss of warranty privileges for other connected devices if the connection is not compliant with their datasheets.



TECHNICAL SUPPORT

If you have any technical questions or comments on the operation of the device, contact Yacht Concept technical support.



NOT A TOY

The product is not intended for children or pets.

SAFETY INFORMATION



ELECTRICITY

Dangers of life caused by electricity.



PROPER USAGE

The components of the system (individual devices) are designed for operation on yachts. Incorrect connection or use may cause fire or electric shock.



INSTALLATOR

Any work related to the installation of the device, especially work involving interference with the electrical system, can only be performed by a person with the appropriate qualifications or authorizations.



POWER SUPPLY

When installing the device, make sure to disconnect the power supply voltage in the circuit in which this device is connected or in the vicinity of which the installation takes place.



MOISTNESS

To avoid risk of electrical shock, do not operate the device with wet or moist hands. Do not use in damp or wet locations, near a bathtub, sink, shower, swimming pool, or anywhere else where water is present.



CONNECTORS BRIDGE

Do not connect inputs or outputs by bridges to achieve higher current. This may result in exceeding the maximum current and destroying the device.

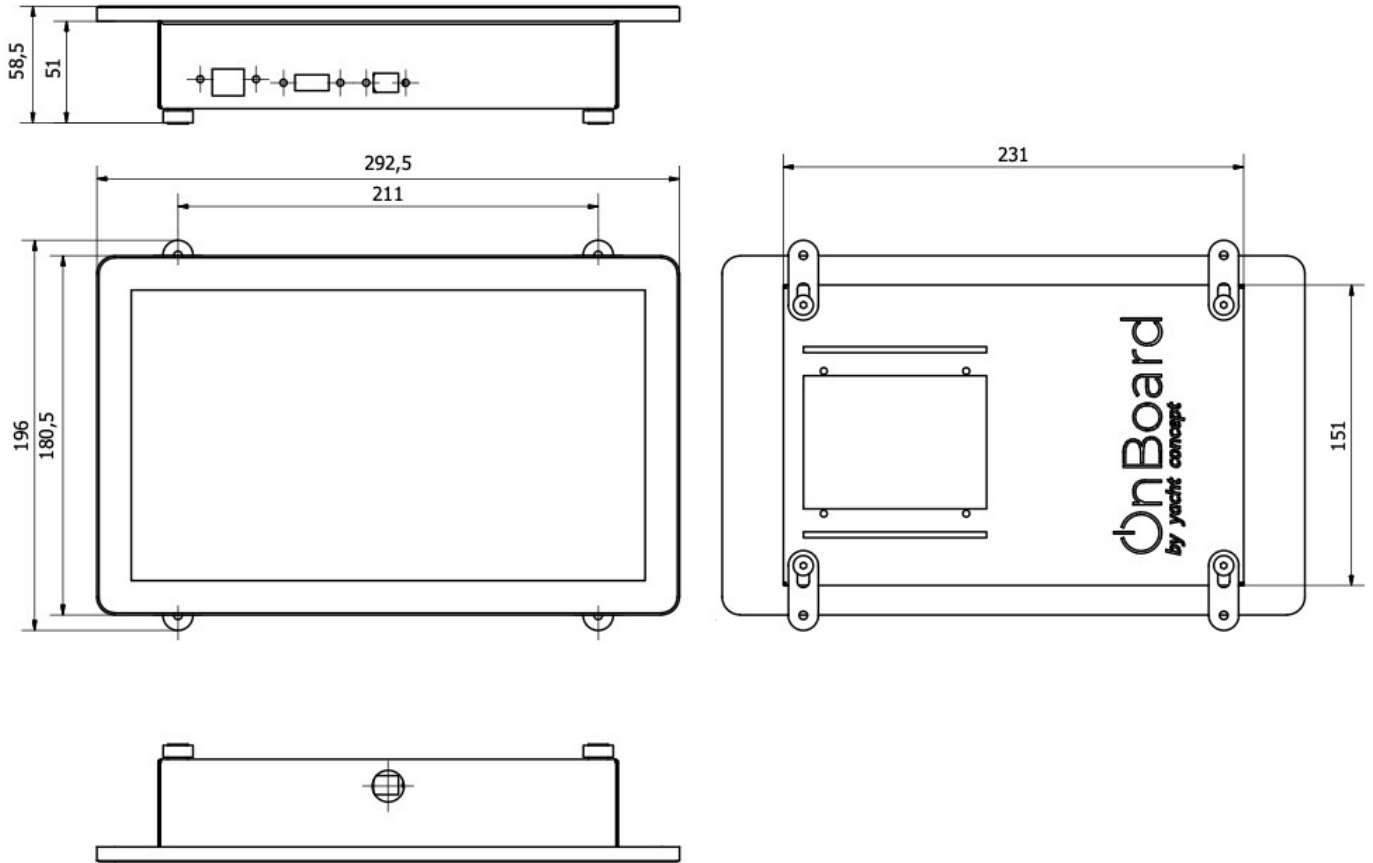
TECHNICAL DATA

SYSTEM	
Inputs	RJ45, USB-A, POWER SUPPLY
Touch	PCAP, 10 points touch
Display	Full HD
LCD PANEL	
Screen Type	A-Si,TFT-LCD,WLED back-light, A-type
Size	11.6 inch (16:9); 258 (W) x 146 (H) mm; 1920x1080
Brightness	>250 cd/m ² up to 800 cd/m ² on request
Contrast ratio	8000:1
TOUCH PANEL	
Response time	<5ms
Surface hardness	Chemically tempered, mohs class 7 explosion-proof glass
OS	Android
POWER PARAMETERS	
Input power	12VDC 3A
Consumption	< 30W
Standby	< 1W
WORKING ENVIRONMENT	
Operation temperature	0-50°C
Working humidity	10-80%
Altitude	Under 5000 meters

MECHANICAL PARAMETERS

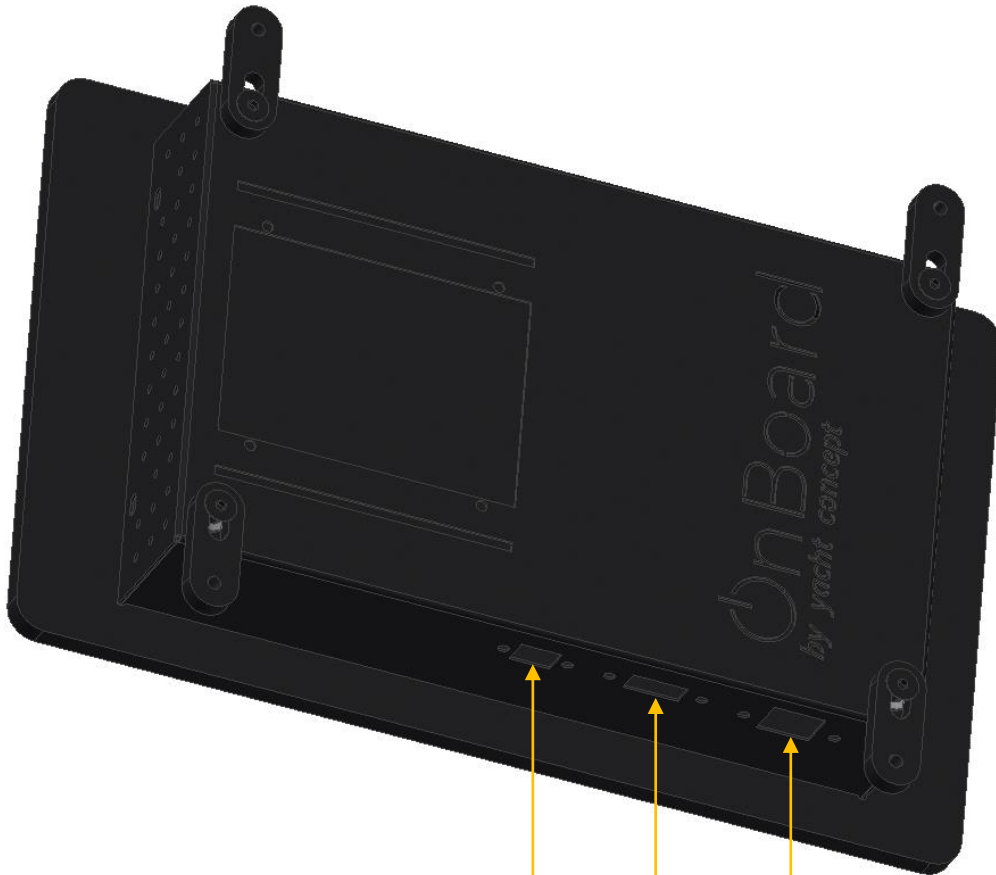
Size	11.6"
Display size	258 * 146 mm (16: 9)
Machine size (W * H *T)	292.5×180.5×31.5mm
Package size (W * H *T)	450×283×83mm
Mounting bracket	Wall mounted
VESA hole	75×75 mm
Wall screw specifications	M4
Net weight	1.19 KG
G.W (packaging)	2.34KG

TECHNICAL DRAWING



OnBoard

by yacht concept



+12VDC

USB-A

RJ45

PRODUCT PICTURES

Black – Silver



Black – Black



White – White



WARNINGS

1. This product is a precision electronic device, the front is IP65, and the overall protection level is IPX3, so care should be taken to avoid water splashing and rain;
2. Do not place the equipment in a humid environment. Outdoor equipment needs to be equipped with a moisture-proof cover. When it rains and dew condensation, it needs to be protected to prevent water mist from entering the machine and the glass from becoming moldy. Wet use environment will accelerate the rapid aging of electronic components, thereby reducing the service life of this product and causing moisture damage to components;
3. Do not place the device in an environment with strong ultraviolet rays and direct sunlight for a long time. When the temperature is higher than 50°C, ultraviolet rays and high temperature irradiate the screen will accelerate the deflection of liquid crystal molecules, and the screen will accelerate aging. When the outdoor temperature is higher than 50°C, move it indoors or perform shading treatment;
4. The brightness of the product is not less than 250cd/m². In the case of high ambient brightness, the screen display will not be clear. Please avoid placing it outdoors when the sun is strong;
5. When the temperature is lower than 0°C, the screen may not work properly due to the influence of the deflection of the liquid crystal molecules. It is not recommended to use it when the temperature is lower than 0°C;