



Innovative Technology

POWERING TRANSACTIONS AND INTERACTIONS

NV4000

Multi Bill Recycler

“Advanced, high volume mixed bill recycler”

NEW
Increased capacity
up to 680 notes



Spectral
NV4000
MULTIBILL RECYCLER

- Accelerate customer throughput
- Significantly reduce expensive service calls
- Increase staff efficiencies with fewer refills

✓ Features

- Modular design, dispense up to 680 bills of 5 denominations
- Faster bill processing, optimise transaction times
- Exceptional street grade bill first time acceptance & rejection of stained bills
- On-board diagnostics for in-house troubleshooting. No tools required to access all bill routes
- Optional ~ 400 bill secure replenishment cassette to auto float all recycling modules or use as a high volume single denomination dispenser

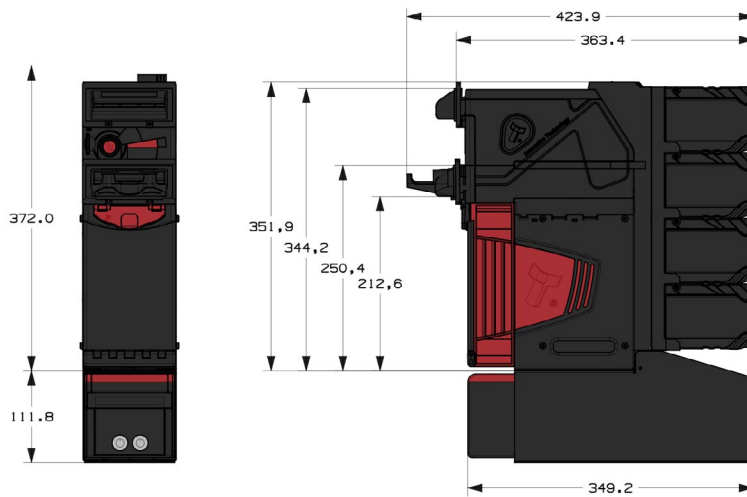
👍 Benefits

- Increase staff efficiencies with fewer refills
- Accelerate customer throughput & enhance experience
- Future proof your cash handling investment & protect revenue
- Significantly reduce external service calls & machine downtime
- Improve efficiency with automated float management

Technical Specification

<p>Power Requirements: 24V Standby: 400mA Running: 3A Peak: 7A</p>	<p>Bezel 85mm width BNF insert up to 30 bills</p>	<p>Cashbox 1000 bills</p>
<p>Protocols SSP</p>	<p>Bill Dimensions Accepts: Width: 60-85mm Length: 115-165mm Recycles: Width: 60-82mm Replenishes: Width: 60-79mm</p>	<p>Recycling Capacity 70 x 4 recycler modules</p>
<p>MCBF 150,000</p>	<p>Interfaces USB option Open collector RS232</p>	<p>Replenishment Capacity ~ 400 bill replenishment cassette</p> <p>Communication Direct USB</p>

Some national currencies differ in thickness and circulation practices. Depending on usage, this can impact cashbox and replenishment capacities.



- Weight: 11kg

Other Configurations

