



Waterproof Precision, Smart Integration

ANTUATOR

We provide the optimal value actuation solutions for the global outstanding enterprises.



ANTUATOR TRIM TAB ACTUATOR

ANT-63



ANTUATOR trim tab actuators are precision -engineered to combine quiet operation with a non-hydraulic, maintenance free design.

A strong planetary gearbox is used to guarantee the life time of the actuator when a high load on the trim tab.

Internal limit switches for both ends as the protection to ensure reliable performance.

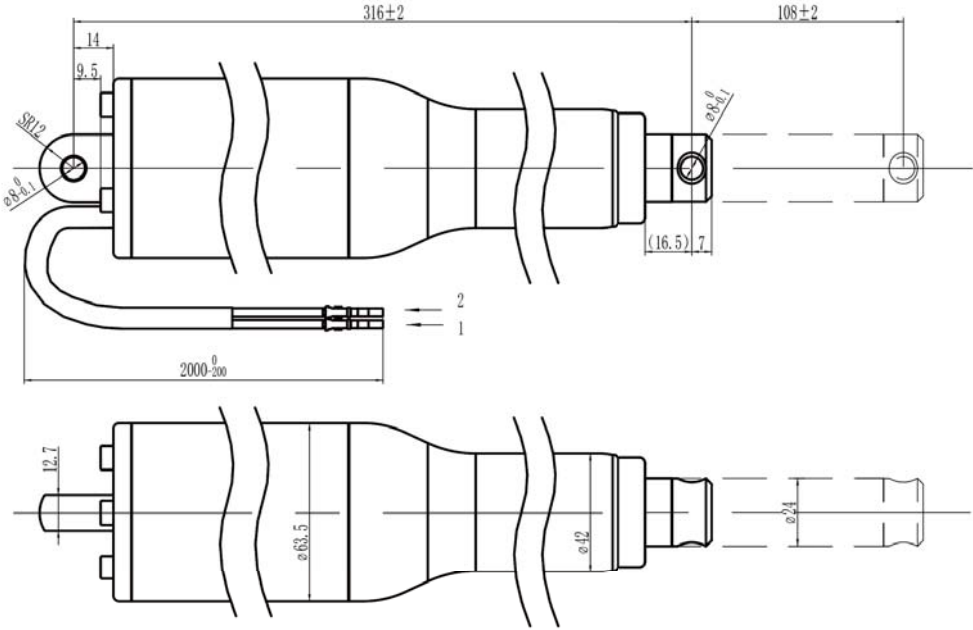
The unit is totally corrosion free and water proof with IP67M. Unlike hydraulic trim tabs, there is no oil to leak out with ANTUATOR trim tab actuators.

5 years warranty is offered.

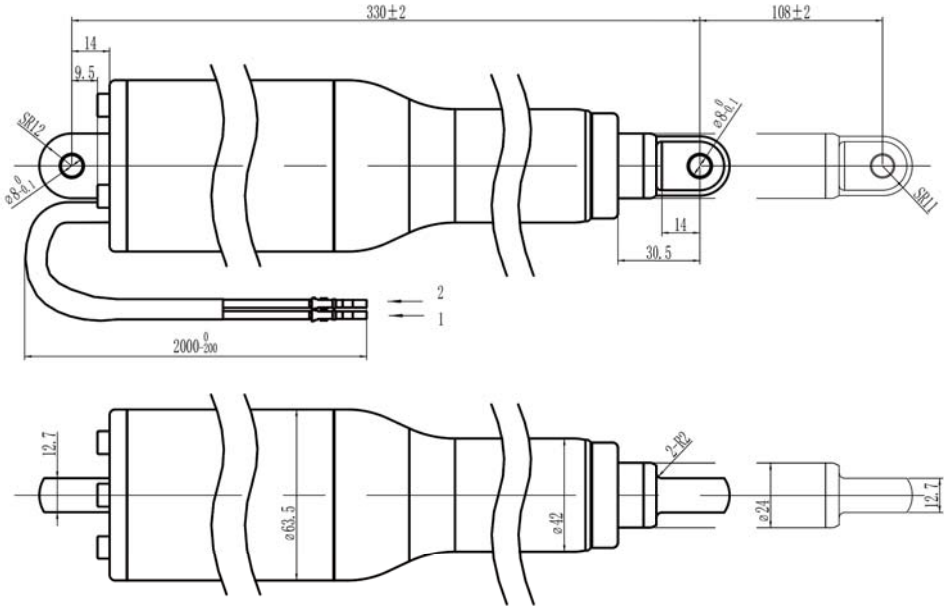


Actuator Dimension

ANT-63AL-03



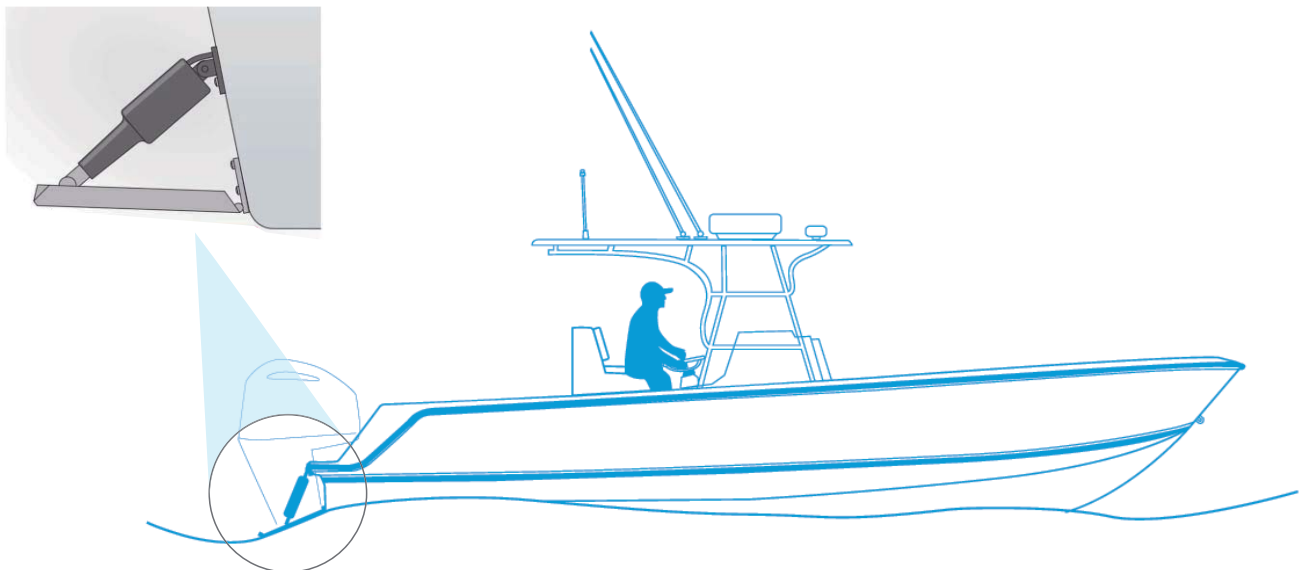
ANT-63AL-04



SPECIFICATIONS

Model	ANT-63AL-01	ANT-63AL-02	ANT-63AL-03	ANT-63AL-04
Voltage(DC)	12v/24v	12v/24v	12v/24v	12v/24v
Stroke	57mm (2-1/4")	57mm (2-1/4")	108mm (4-1/4")	108mm (4-1/4")
Length from hole to hole	265mm(10-1/2")	292mm(11-1/2")	316mm(12-1/2")	330mm(13")
Load capacity	2300N/507lbs	2300N/507lbs	2300N/507lbs	2300N/507lbs
Speed	12mm/s(0.47"/s)	12mm/s(0.47"/s)	12mm/s(0.47"/s)	12mm/s(0.47"/s)
Top hole size	8mm(5/16") or 9.5mm(3/8")	8mm(5/16")	8mm(5/16") or 9.5mm(3/8")	8mm(5/16")
End hole size	8mm(5/16")	8mm(5/16")	8mm(5/16")	8mm(5/16")
Standard cable length	2000mm(79")	2000mm(79")	2000mm(79")	2000mm(79")

Please note that ANTUATOR is able to customize any trim tab actuator according to your special needs. If any customization needed, please contact ANTUATOR team by email.





Antuator

Waterproof Precision, Smart Integration

Add: Room 604, Block A, No.199 Jinwan Road, Pudong New Area, Shanghai

Web: www.antuator.com

Tel: 0086 21 58999803

Fax: 0086 21 58992839

E-mail: info@sito-motor.com



Official website link
dimensional code



We Chat link
dimensional code