

产品规格书/DATASHEET

UV LED 静态水杀菌模组

UV LED Static Water Sterilizer
Model:YG-S205

应用领域/Application field:

应用领域: 净水机、空气净化器、制冰机等
Application field: Water purifier, air purifier, ice maker, etc

产品特征/Product characteristics:

- | | |
|---------------------|---|
| • 采用先进的 UV LED 杀菌技术 | Advanced UV LED sterilization technology |
| • 采用高透石英透镜，出光效率高 | Adopt high permeability quartz lens, high light efficiency |
| • 结构简单，使用方便，有效寿命长 | Simple structure, easy to use, long effective life |
| • 所有材料符合 RoHS，环保要求 | All materials comply with RoHS environmental requirements |
| • 所有涉水部件符合食品安全及水批标准 | All wading parts comply with the food safety and water batch standards |

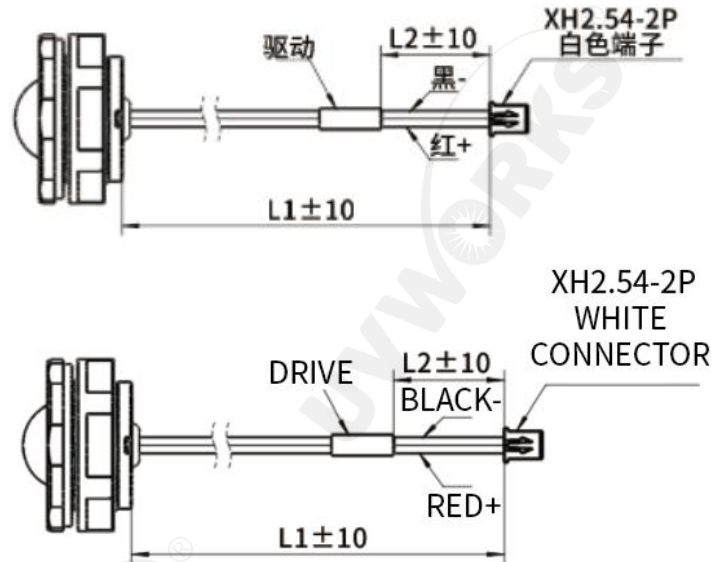
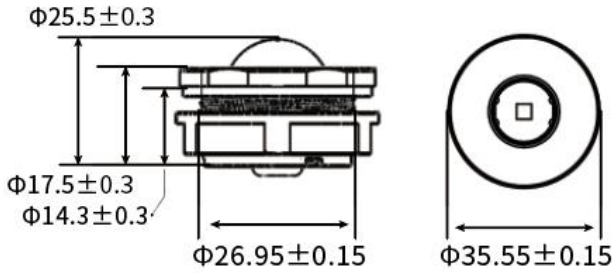
引用标准/Reference standard:

执行标准/Executive standard	内容/content
GB/5749	生活饮用水卫生标准 Hygienic standard for drinking water
GB 4706.1	家用和类似用途电器的安全通用要求 General safety requirements for household and similar electrical appliances
QB/T 4827	家用和类似用途饮用水处理装置用紫外线杀菌单元 Ultraviolet bactericidal units for drinking water treatment installations for domestic and similar purposes
GB/T 2828.1	计数抽样检验程序 第 1 部分：按接收质量限 (AQL) 检索的逐批检验抽样计划 Sampling inspection procedure for counting - Part 1: Batch by batch inspection sampling plan retrieved by quality limit of reception (AQL)
GB/T 1019	家用和类似用途电器包装通则 General rules for packaging of household and similar electrical appliances
《生活饮用水卫生规范》卫生部 2001 版 附件二 "Drinking Water hygiene Code" Ministry of Health 2001 edition Annex II	生活饮用水输配水设备及防护材料的安全性评价规范 Standard for safety evaluation of drinking water transmission and distribution equipment and protective materials



产品尺寸/Product size:

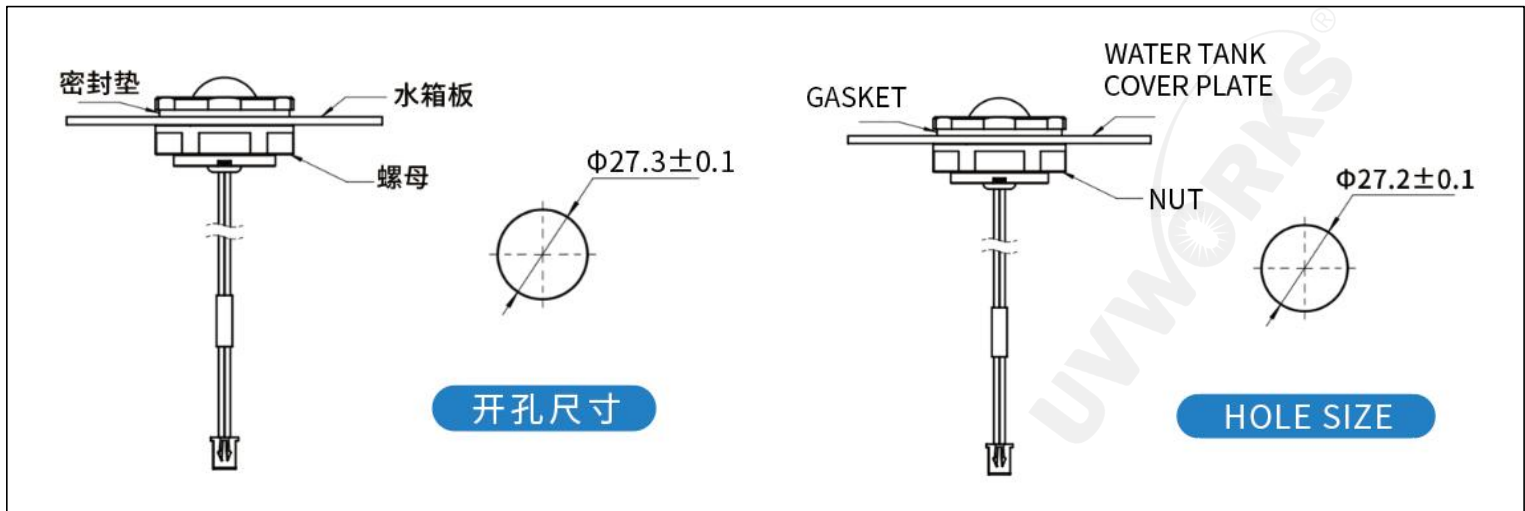
1. 模块尺寸: $\Phi 35.55 \times 25.5\text{mm}$ Module size: : $\Phi 35.55 \times 25.5\text{mm}$
2. 公差 $\pm 0.5\text{mm}$ Tolerance $\pm 0.5\text{mm}$



性能参数/Performance parameters:

项目 project	规格 specification	备注 remark
型号/Model No.	YG-S205	
产品尺寸/Product size	$\Phi 35.55 \times 25.5\text{mm}$	
开孔尺寸/hole size	$\Phi 27.2$	/
净重/Net weight	23.43g	人工测量, 仅供参考 Manual measurement, for reference only
额定电压/Rated voltage	DC12-24V	可定制/customizable
功率/ Power	>10mW	
杀菌率/Bactericidal Rate	>99.99%	
UVC 波长/UVC wavelength	255/265/275nm	峰值波长(λ_p)测量公差为 $\pm 3\text{nm}$ The peak wavelength (λ_p) measurement tolerance is $\pm 3\text{nm}$
LED 寿命/LED life	>10000h	
线长/Wire length	$500 \pm 10\text{mm}$	可定制/customizable
端子/Connector	XH2.54,白色/white	可定制/customizable
绝缘耐压/Insulation withstand voltage	DC500V(50HZ)/1min	
防水等级/Waterproof rating	IP68	
工作压力/Working water pressure	$\leq 0.6\text{MPa}$	
工作温度/Operating temperature	$0^\circ\text{C} - 45^\circ\text{C}$	
储存温度/Storage temperature	$-40^\circ\text{C} - 85^\circ\text{C}$	

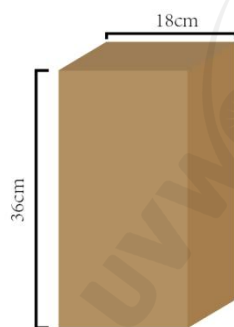
安装方法/Installation method:



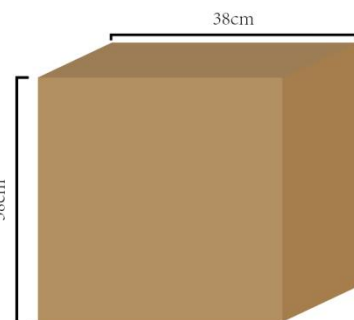
包装/Packaging :



一袋 20 个模组
20 modules in a bag



一小箱放 120 个模组
120 modules in one small box



一箱放 480 个模组
480 modules in one box

使用建议/ Use suggestion:

产品的存取与安装 / Product access and installation:

- ◆ 本产品对电磁敏感，请注意静电防护。使用本产品前，请确认工作台和生产设备是否接地。

This product is electromagnetic sensitive, please pay attention to electrostatic protection. Before using this product, ensure that the workbench and production equipment are grounded.



重要安全提示/Important safety tips:

1.本产品为深紫外LED，在正确操作通电后会产生深紫外线，这种紫外线对人体的皮肤和眼睛都有危害。当LED正常工作时，避免暴露在深紫外线下。必须采取预防措施，避免不使用紫外线保护眼镜而直接观察紫外线。当LED正常工作时，不要直接看前面或LED的倾斜度。

1. This product is a deep ultraviolet LED, after the correct operation of the power will produce deep ultraviolet light, this ultraviolet light on the human skin and eyes are harmful. When the LED is working properly, avoid exposure to deep UV rays. Precautions must be taken to avoid direct observation of UV rays without the use of UV protective glasses. When the LED is working normally, do not look directly at the front or the tilt of the LED.

2. 深紫外 LED 接触需要注意产生静电(ESD)。静电和浪涌电压严重损害紫外线 LED，并可能导致设备的完全故障。在处理或操作这些设备时，必须注意防止 ESD。

Electrostatic (ESD) to 46-UV is sensitive to ESD (electrostatic discharge). Static electricity and surge voltage seriously damage UV leds and can lead to complete failure of the device. Care must be taken to prevent ESD when handling or operating these devices.

3. 操作条件为了确保这些 LED 的正常功能，符合最大允许的规格是很重要的。LED 对超过最大工作规格的驱动电流特别敏感，并可能会被这种驱动电流损坏。强烈建议在操作这些设备时使用受电流调节的驱动电路。客户还应提供足够的热管理，以确保 led 不会超过最大推荐温度。在超过规格的温度下运行 LED 将导致设备的损坏和可能的完全故障。

Operating conditions In order to ensure the normal function of these LED, it is important to meet the maximum allowable specifications. LED are particularly sensitive to drive currents that exceed the maximum operating specifications and can be damaged by such drive currents. It is highly recommended to use current-regulated drive circuits when operating these devices. Customers should also provide adequate thermal management to ensure that the led does not exceed the maximum recommended temperature. Running leds at temperatures that exceed specifications will result in damage to the device and possible complete failure.



ADDRESS: No.266, Jiushui East Road, Licang District, Qingdao City, Shandong Province, China

POSTCODE: 266000