

# PolTherma TS

PolTherma TS is a wall sandwich panel with a rigid polyurethane foam (PU) core, fixed to the supporting structure with a fastener passing through the entire thickness of the board (through). Its main advantages are the simplicity of assembly, a very favorable coverage width (1130 mm) and the use of a special gasket in the joint, improving the tightness of the connection.

PolTherma TS panels can be installed both horizontally and vertically to various supporting structures: steel, wooden or reinforced concrete.

### Panel cross-section



### Available panel thicknesses [mm]

40    60    80    100    120    160    200

### Thermal conductivity coefficient $\lambda_D$ [W/(m·K)]

0.022

### Heat transfer coefficient U(d,S) for M,R,L profiling [W/(m<sup>2</sup>·K)]

0.62    0.39    0.29    0.23    0.18    0.14    0.11

### Heat transfer coefficient U(d,S) for MK550 profiling [W/(m<sup>2</sup>·K)]

0.75    0.44    0.31    0.24    0.20    0.15    0.12

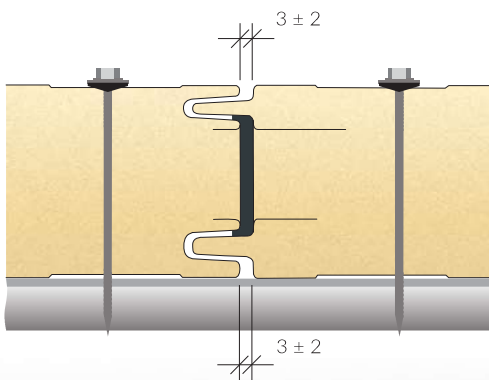
### Weight 1 m<sup>2</sup> [kg]

10.4    11.2    11.9    12.7    13.5    15.1    16.5

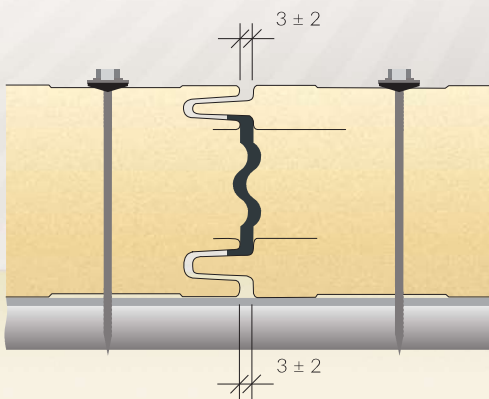
### Maximum number of panels per package [pcs.]

28    18    14    11    9    7    5-6

Cross-section of the panels' joint with a thickness of 40-80mm



Cross-section of the panels' joint with a thickness of 100-200mm

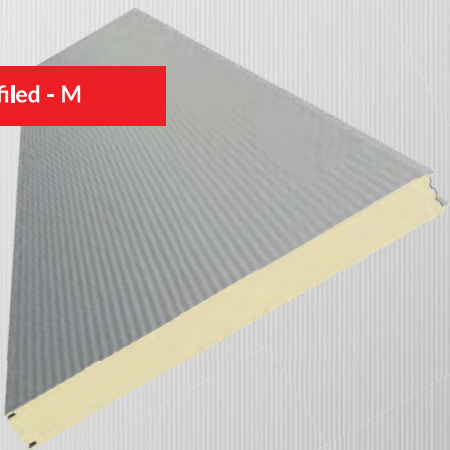


Linear - L



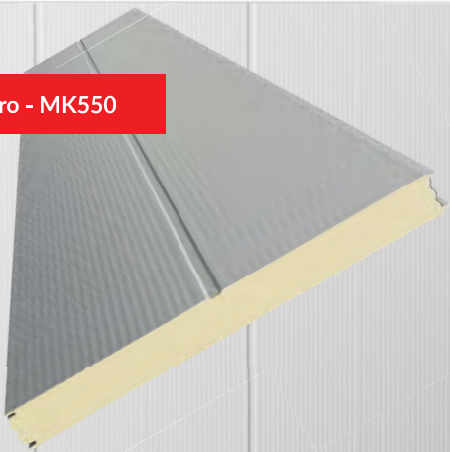
single module

Microprofiled - M



single module

Cassette-micro - MK550



single module

Grooved - R



single module

# PolTherma TS



