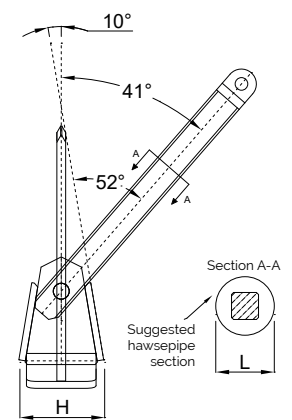
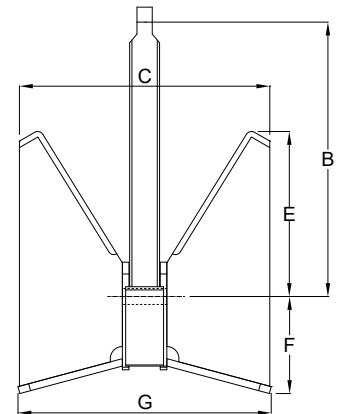


PTW+® Anchor

Weight Kg	B mm	G mm	Cmm	Emm	Fmm	Hmm	Lmm
17	381	358	346	229	135	132	75
25	434	407	393	260	154	150	85
33	476	446	431	286	169	165	93
37	494	464	448	297	175	171	97
50	546	513	496	328	194	189	107
62	587	551	532	352	208	203	115
79	637	597	577	382	226	220	125
97	682	639	618	409	242	236	134
114	719	675	652	432	255	249	141
138	767	719	695	460	272	265	150
149	786	738	713	472	279	272	154
167	817	766	741	490	290	283	160
184	844	792	765	507	300	292	165
219	894	839	811	537	317	309	175
237	918	861	832	551	326	318	180
255	941	883	853	565	334	325	184
272	961	902	872	577	341	332	188
320	1015	952	920	609	360	351	199
347	1042	978	945	626	370	361	204
373	1068	1002	968	641	379	369	209
404	1097	1029	994	658	389	379	215
474	1157	1085	1049	694	411	400	227
509	1184	1111	1074	711	420	410	232
617	1263	1185	1145	758	448	437	248
724	1332	1250	1208	800	473	461	261
817	1387	1301	1258	833	492	480	272
856	1408	1322	1277	846	500	487	276
1050	1508	1415	1367	905	535	522	296
1230	1589	1491	1441	954	564	550	312
1425	1669	1566	1514	1002	593	577	327
1530	1709	1604	1550	1026	607	591	335
1770	1794	1684	1627	1077	637	621	352
2025	1877	1761	1702	1127	666	649	368
2295	1957	1836	1774	1175	695	677	384



Custom:

We can customize your anchor as you like.

PTW+® Anchor

PTW +® is SHHP, Super High Holding Power Anchors allow a weight reduction of 50% compared to an ordinary anchor. Fully balanced or unbalanced 10% shortened shank possible.

Available in the following finishes:

- Specific painting
- Hot-dip galvanized
- Super yacht execution
- Mirror-polished Duplex Stainless Steel

And with a base plate allow for a disappearing mooring for total comfort during navigation. The plate can be made of a different material than the anchor.

Certifications:

