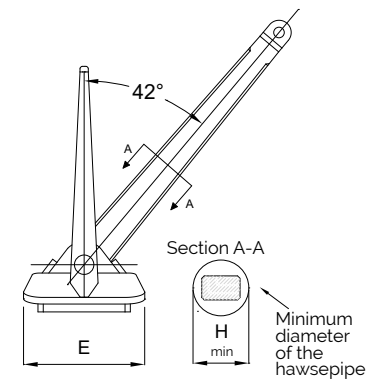
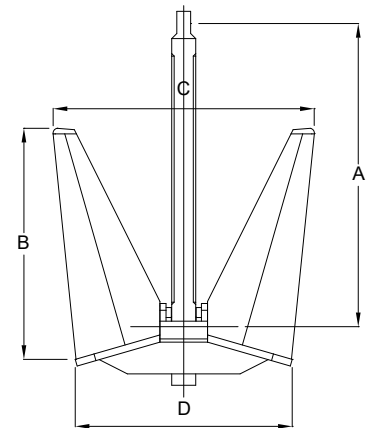


# HV® Unbalanced Anchor

Weight Kg	A mm	B mm	Cmm	Dmm	Emm	Hmm
60	650	450	560	470	260	110
70	690	500	580	500	280	120
80	720	540	610	520	290	120
90	740	560	630	530	300	120
105	790	600	670	570	320	130
125	830	630	710	600	330	140
136	850	650	720	610	340	140
145	870	660	740	620	350	140
160	900	680	770	650	360	150
180	940	710	800	670	380	150
200	970	740	830	700	390	160
225	1010	770	860	730	410	160
240	1040	790	880	750	420	170
270	1080	820	920	770	430	180
315	1140	860	970	820	460	180
360	1190	900	1010	850	480	190
400	1230	930	1040	880	490	200
430	1260	950	1070	900	500	200
480	1300	990	1110	930	520	210
495	1320	1000	1120	950	530	210
520	1340	1010	1140	960	540	210
560	1370	1040	1170	990	550	220
585	1390	1050	1180	1000	560	220
600	1410	1070	1190	1010	560	230
640	1440	1090	1220	1030	580	230
675	1460	1110	1240	1050	590	230
1980	2073	1141	1769	1509	812	365
2140	2128	1171	1815	1549	833	375
2475	2233	1229	1905	1626	874	393
2840	2338	1287	1995	1702	915	412
3240	2443	1344	2084	1779	956	430
3670	2547	1401	2173	1854	997	448
4000	2621	1442	2236	1908	1026	461
4950	2814	1548	2400	2049	1102	495



## Custom:

We can customize your anchor as you like.

# HV® Unbalanced Anchor

The HV® Unbalanced Anchor is suitable for any type of seabed and works perfectly, it is the queen of welded anchors.

**High Holding Power (HHP)** anchors allow for a 25% reduction in weight compared to a mass anchor.

Possible **10% shortened shaft**.

Now it is also **available with a base plate** that allows for the possibility of a retractable mooring area on board for total comfort during navigation.

Available in the following **executions**:

- Specific painting
- Hot-dip galvanized
- Super yacht execution
- Mirror polished Duplex Stainless Steel

## Certifications:

