

REEFING FURLERS

by **KARVER** 

NEW

 **KARVER**[®]
sailing experience



KRS

THE REEFING
FURLER BY
KARVER

+ PRESENTATION



+ PRODUCT

Simplicity and robustness, Design and performance.

Our products are known to be the most reliable on the market. We have thousands and thousands of miles of experience on the forces submitted to the deck equipment.

We took our time to design a new generation of reefing furlers combining a multitude of advantages without forgetting our DNA: a simple, robust, design and efficient product.

A full-option reefing furler accessible to all.

+ Performance

- Reduced mechanical dimensions: drums as slim as a reefing furler, shortest swivel on the market
- Very low friction maintenance free sealed bearings
- Attach tack and halyard points with textile ties
- Reduced weight
- Reinforced mechanism as standard
- Tube profile reinforced with 6082T6
- Materials Insulation against corrosion

+ Built-in options

- Elliptical and double groove profile as standard
- Removable single line drum as standard
- Removable stainless steel luff guide as standard

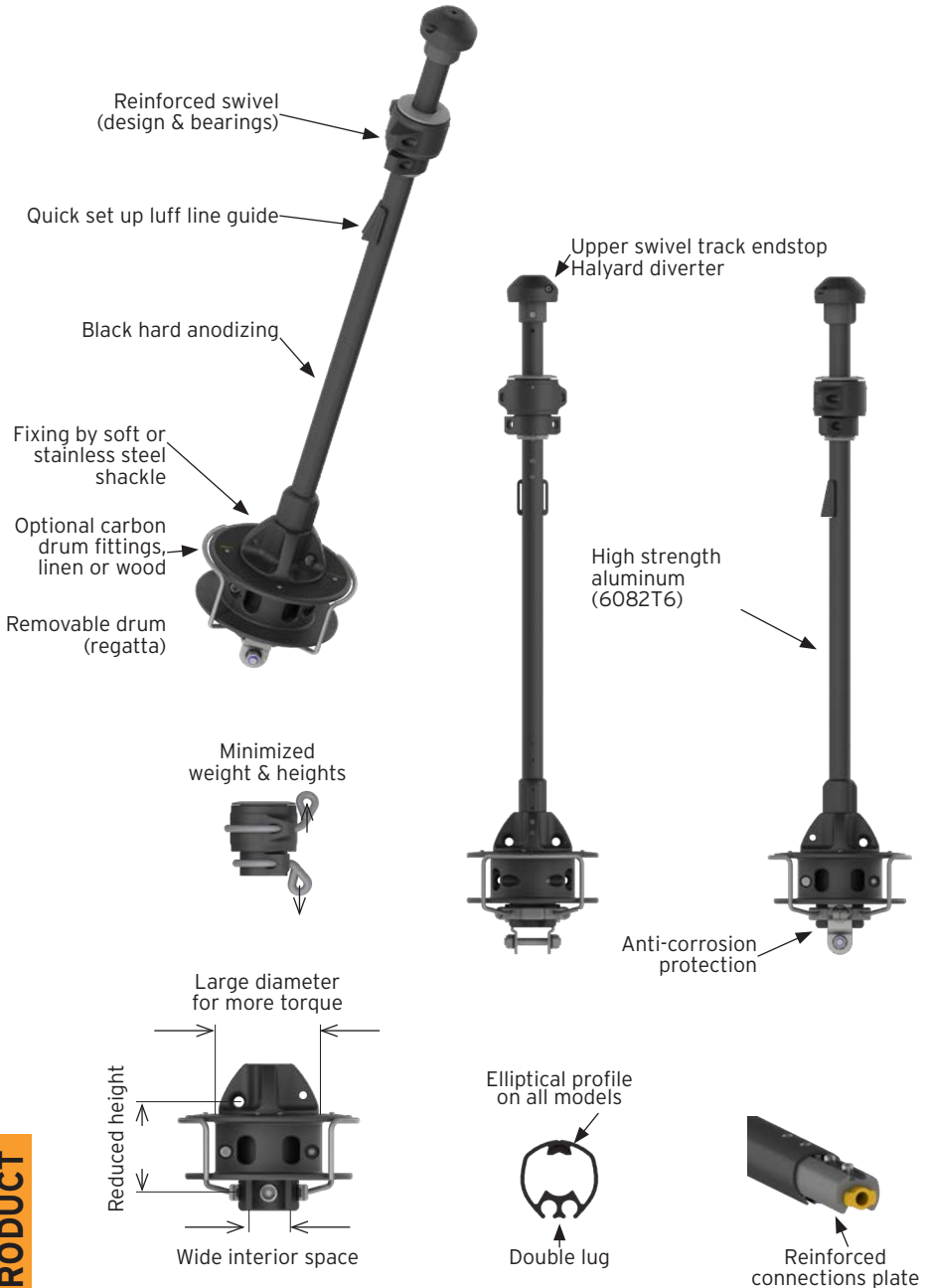
+ Eco Concept

- Robust design ensures durability
- Compact = less raw material consumption
- Use of bio-sourced plastic, from linen fibre

**ONE
STEP
AHEAD**



THE KARVER REEFING FURLER IN DETAIL:



+ PRODUCT



KRS

THE REEFING
FURLER BY
KARVER

Standard...



Single line version and Wood / Classic finishing available for all our models.



+ PRODUCT

A simple range, just as efficient for cruising and racing, 6 models for sailboats from 7 to 26 m.

We want to get rid of distinctions between "racing" reefing furlers or "cruise".

The expectations in terms of reliability or performance are the same. Whatever your program, Karver reefing furlers are your allies of choice.

Unlike what is currently proposed on the market, all these options are included as standard when you choose Karver:

- Double groove extrusion profile
- Elliptical profile
- Removable drum
- Removable stainless steel luff guide
- Black hard anodizing
- Reinforced mechanism

Stand out!

To better fit your deck plan, we offer a variety of finishings on the top of the drum, as well as the standard finish being in carbon fibre, it can also be linen fibre or natural wood veneer.

For the most demanding users, stainless steel wire guide can be upgraded with the option of a carbon drum, and can also be offered with a real wood veneer finish.

We can also personalize the drum cover with the name or logo of your sailboat.

A model for each unit

MODEL	KRS20	KRS25	KRS30	KRS40	KRS45	KRS50
References	PF333 200	PF333 250	PF333 300	PF333 400	PF333 450	PF333 500
Sailboat length (m)	7 to 9	9 to 10,5	10,5 to 13	13 to 16	16 to 20	20 to 26
Sail area in m ²	30	45	55	100	150	220
Max forestay diameter, without removable end fitting (mm)	6	8	8	12	14	14
Forestay diameters max. with removable end fitting (mm)	7,5	10	10	13	20	20
Standard chainplate diameter (mm)	10, 12	10, 12	12, 14, 16	12, 14, 16	18, 22, 25	18, 22, 25
Extrusion weight (Kg/m)	0,578	0,708	0,708	0,965	1,29	1,59
Extrusion model	KP29	KP33	KP33	KP40	KP54	KP54R
Extrusion outer diameter (mm)	29	33	33	40	54	54
Standard extrusion length (m)	2	2	2	2	2	2
Drum diameter max. (mm)	180	180	220	260	320	320
Removable drum	Yes	Yes	Yes	Yes	Yes	Yes
Luff line guide	Yes	Yes	Yes	Yes	Yes	Yes
Double groove extrusion	Yes	Yes	Yes	Yes	Yes	Yes
Long and intermediate plates	Optional	Optional	Optional	Optional	Optional	Optional
Turnbuckle cover	Optional	Optional	Optional	Optional	Optional	Optional
Luff line diameter (mm)	5	5	5	5	6	6
Standard tube length	10 m (5)	12 m (6)	14 m (7)	16 m (8)	18 m (9)	20 m (10)
Double groove extrusion	Yes	Yes	Yes	Yes	Yes	Yes

Selection guide

3 Parameters to define your choice.

Forestay diameter, boat length and sail area.

Length (m)	6	7	8	9	10	11	12	13	14	15	16	17	18	19	20	21	22	23	24	25	
Length (feet)	20	23	26	30	33	36	40	43	46	50	53	56	59	63	66	69	73	76	79	83	
Forestay max																					
KRS20	6/7,5																				
KRS25	8/10																				
KRS30	8/10																				
KRS40	12/13																				
KRS45	14/20																				
KRS50	14/20																				
Genoa area (m ²)		15	20	25	30	40	50	55	60	75	90	100	115	130	140	150	160	170	180	200	210
Genoa area (ft ²)		160	215	270	320	430	540	590	645	810	970	1080	1240	1400	1500	1600	1700	1830	1940	2150	2260

SELECT THE RIGHT MODEL AND THE RIGHT OPTIONS IN 6 STEPS

- 1** Determine the correct KRS model taking into account:
 - Forestay diameter and the fittings size:
fixed or removable eye, threaded swaged stud or not.
 - Triple entries selection guide shown on previous page.
 - Contact us if you have any doubts, contact details on the last page.
- 2** Add or delete profile lengths of 2 meters.
Each kit includes between 5 and 10 profiles but you can request an adjustment.
- 3** If your forestay is fitted with a turnbuckle, it's a safe bet that you need the turnbuckle cover option (TB assembly page 11). Only exception: if your turnbuckle is installed under the drum and with long link plates (XL assembly page 11).
- 4** If you need to raise the reefing furler drum, most often due to anchor passage or chainplate, replace the standard short plates with longer plates (M, XL or on plans). Table on page P 13.
- 5** Check the compatibility of the standard pin present on the plate with your deck chain plate. Ask for the diameter change if necessary. Table P 13.
- 6** You can request customization of the drum: wood veneer, linen fibre veneer, carbon drum and add marking (name or logo).

THE CORNER OF SAIL MAKERS AND RIGGERS

Sails

If you replace your furler without changing the sail, check that the groove is compatible (5 mm in most models)

If you change your sail or if your sailboat is new, do not forget to inform your sailmaker that you will be using a Karver KRS reefing furler. He will be able to download (documentation tab of the product pages) all the useful measurements to make your sail.

Riggers / Installers

We support all riggers and wherever they are in the world for their first assembly of Karver KRS reefing furlers. They can contact us by email or telephone (contact details on the back).

Nothing prevents you from replacing your reefing furler yourself, but the intervention of a professional is strongly recommended. If your installer is not equipped to manufacture a new forestay, contact us. We will provide it.

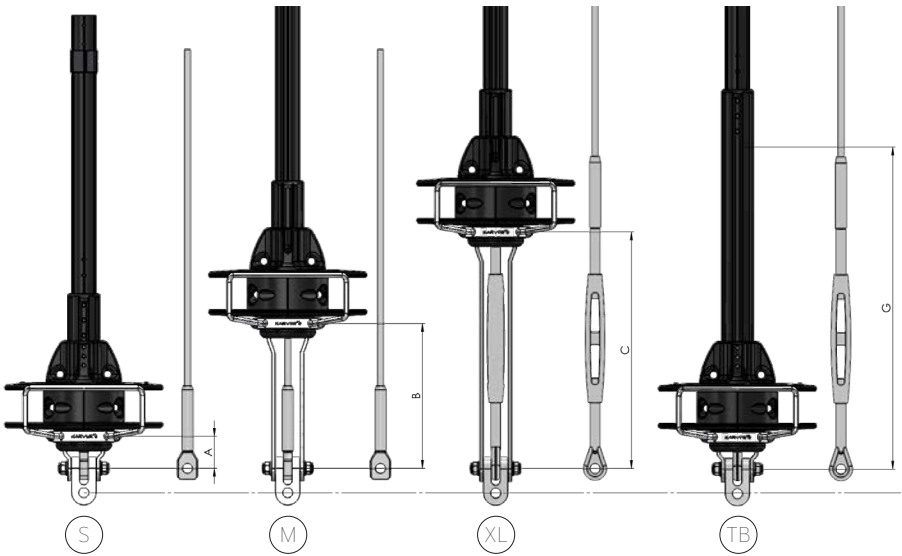
**ONE
STEP
AHEAD**



Fixing systems

The standard model comes with short holed plates shown below in figure (S).

Intermediate (M) or long (XL) plates or a turnbuckle (TB) are available as an option.



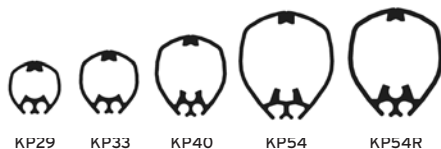
OPTIONS & ACCESSOIRES

ADDITIONAL PROFILE

The kit includes one 2 meters profile equipped with its reinforced junction.



MODEL	PART NUMBER	COMPATIBILITY	LENGTH
KP29	PF334 295	KRS20	2 m
KP33	PF334 335	KRS25,KRS30	2 m
KP40	PF334 405	KRS40	2 m
KP54	PF334 545	KRS45	2 m
KP54R	PF334 545 [R]	KRS50	2 m



Turnbuckle cover

If your forestay is fitted with a turnbuckle, it's a safe bet that you need the turnbuckle cover option (TB assembly page 11). Only exception: If your turnbuckle is installed under the drum and with long link plates (XL assembly page 11).

MODEL	TURNBUCKLE COVER (DELIVERED)		SHORT NOSE	
	PART NUMBER	LENGTH (mm)	PART NUMBER	LENGTH (mm)
KRS20	PF334 203	295	PF334 204	46
KRS25	PF334 253	352	PF334 254	72
KRS30	PF334 303	365	PF334 304	77
KRS40	PF334 403	412	PF334 404	77
KRS45	PF334 453	544	PF334 454	103
KRS50	PF334 503	544	PF334 504	103



Furling lines

We offer standard or optimized furling lines.

The optimized line is uncovered to take up less space in the drum.

The covered part is the one you keep in your hands in the cockpit for more comfort.

MODEL	6 mm	8 mm	10 mm	12 mm
KRS20/25	20 m	12 m		
KRS30		20 m	12 m	
KRS40		20 m	12 m	
KRS45/50			20 m	12 m



Link plates

The link plates allow to adjust the height of the drum in relation to the chainplate. The link plates supplied are short. You can ask for longer ones (passage of the anchor shank, chain plate at the bottom of the anchor locker,...).

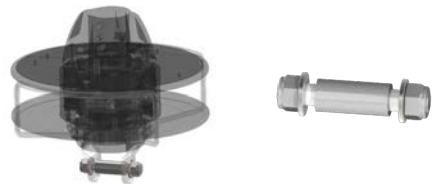
MODEL	LENGTH (mm)			PART NUMBER		
	S (STANDARD)	M	XL	S (STANDARD)	M	XL
KRS20	38,8	166	266	PF334 200 [S]	PF334 200 [M]	PF334 200 [XL]
KRS25	38,8	166	266	PF334 250 [S]	PF334 250 [M]	PF334 250 [XL]
KRS30	48,3	237	387	PF334 300 [S]	PF334 300 [M]	PF334 300 [XL]
KRS40	53	240	390	PF334 400 [S]	PF334 400 [M]	PF334 400 [XL]
KRS45	60	270	550	PF334 450 [S]	PF334 450 [M]	PF334 450 [XL]
KRS50	60	270	550	PF334 500 [S]	PF334 500 [M]	PF334 500 [XL]



Lower pin

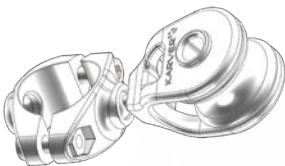
We offer several pin diameters to make the perfect link between the link plates and the bottom eye of your forestay. Consult us if your pin is not in this list.

MODEL	S (STANDARD)	M
KRS20	10	8 - 12
KRS25	12	10 - 14
KRS30	14	12 - 16
KRS40	16	14 - 18
KRS45	18	16 - 20
KRS50	22	20 - 24 - 26



Furling line fairleads

3 Karver solutions to guide the furling line from the cockpit to your reefing furler.



Stanchion fairlead



KR low friction ring



KRO low friction open rings

Dimensions and options DRUMS

Dimensions depending on the holed plates used and whether or not the turnbuckle is used.
4 main versions: short plates, inter plates, long plates, turnbuckle cover.

Distances in mm		KRS20	KRS25 ⁽¹⁾	KRS30	KRS40	KRS45 ⁽²⁾	KRS50
A	Pin-to-pin S link length	38,8	38,8	48,3	53	60	60
B	Pin-to-pin M link length	166	166	237	240	270	270
C	Pin-to-pin XL link length	266	266	387	390	550	550
D	Width between plates	41	41	41	41	61	61
E	Plate thickness	4	4	6	6	6	6
F	Standard shaft diameter	10, 12	10, 12	12, 14, 16	12, 14, 16	18, 22, 25	18, 22, 25
G	Drum pin - turnbuckle cover option (useful inside height)	381	410	440	474,5	614	614
H	Drum-drive sleeve pin (useful inside height)	132,2	133,2	153	138,5	173	173
I	Inner diameter drive receptacle	32	32	46	46	54	54
J	Drum inner diameter	32	32	46	46	60	60
K	Standard inner bearing diameter	7,5	8,5 and 10,5	8,5 and 10,5	11 and 13,5	16,5 and 20,5	16,5 and 20,5
L	Drum pin - tack point	96,6	96,6	101,5	101,5	121,7	121,7
M	Internal drum height	55,2	55,2	53	53	65	65
N	Drum diameter	180	180	220	260	320	320
	Drum capacity according to rope diameter	20m (6mm)	20m (6mm)	20m (8mm)	28m (8mm)	33m (10mm)	33m (10mm)
	Drum capacity according to rope diameter	12m (8mm)	12m (8mm)	12m (10mm)	18m (10mm)	24m (12mm)	24m (12mm)
	Double groove extrusion	Yes	Yes	Yes	Yes	Yes	Yes

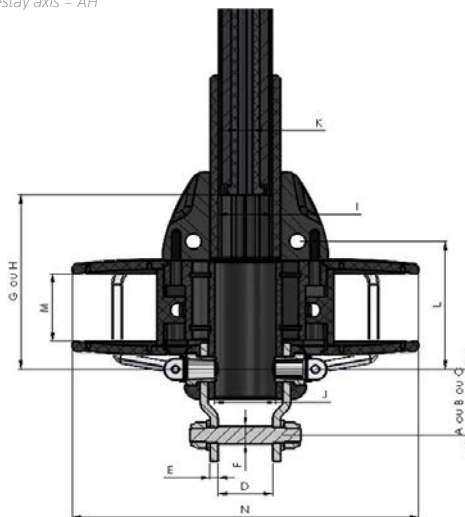
In bold main models, KRS25 and 45 are variations

(1) KRS30 tubes, KRS30 swivel, KRS20 Drum

(2) KRS50 Drum with plastic flange and carbon veneer, KRS50 swivel, lighter tubes and sides

Useful height of lower landing forestay axis = AH

OR AG Drum pin = that in the int.



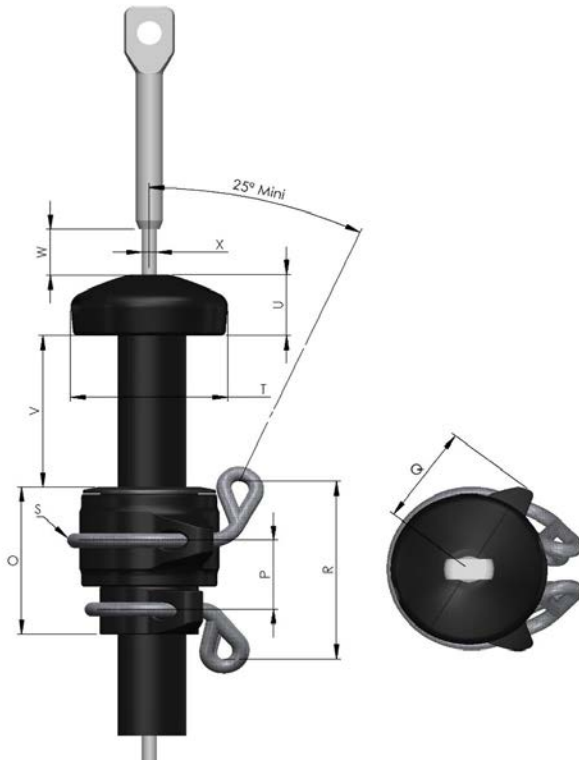
SWIVEL dimensions and options

Distances in mm		KRS20	KRS25 ⁽¹⁾	KRS30	KRS40	KRS45 ⁽²⁾	KRS50
O	Swivel height	87,9	87,9	87,9	101,4	126,5	126,5
P	Lashing drilling center distance	37,4	37,4	37,4	47,5	65,4	65,4
Q	Max radius	56	56	56	67,6	87,5	87,5
R	Distance between eye lashing	80	80	80	120	140	140
S	Max lashing diameter	11	11	11	12	15	15
T	Devitop diameter	70	70	70	104	104	104
U	Devitop Height	37	37	37	42	42	42
V	Minimum profile height above the swivel	80	80	80	80	100	150
W	Clearance between Devitop and swaging	30	30	40	40	60	60
X	Max forestay diameter	7,5	10	10	13	20	20

In bold main models, KRS25 and 45 are variations

(1) Swivel identical to KRS30

(2) Swivel identical to KRS50





COME AND TEST OUR PRODUCTS IN OUR SHOWROOM, IN LORIENT LA BASE.

CONTACT US

► **Karver Systems Headquarter:**

Avenue Marcel Liabastre - 14600 Honfleur - France

► **Karver Systems Sales & Showroom:**

1 rue d'Estienne d'Orves - 56100 Lorient - France

Email : contact@karver-systems.com

Tél.: + 33 (0)2 31 88 37 98 - Fax: + 33 (0)2 31 88 56 43



WWW.KARVER-SYSTEMS.COM



KarverSailing



karversailing



.com/KarverSailing