



Change perspective

The electric motor you've been waiting for

Why make a change?

02

Because we are tired of the challenges posed by traditional gasoline outboard motors-heavy, cumbersome, and requiring constant mounting and dismounting after every use.

The electric motor you've been waiting for



The electric motor you've been waiting for



03

Simple. Revolve is the only motor that can rotate on its axis to switch from off to on. This allows it to reduce its dimensions to almost zero. Plus, it is 100% electric. Welcome on board *elegance*.



One-of-a-kind
solution

The electric motor you've been waiting for



— electric steering,
unparalleled
maneuverability

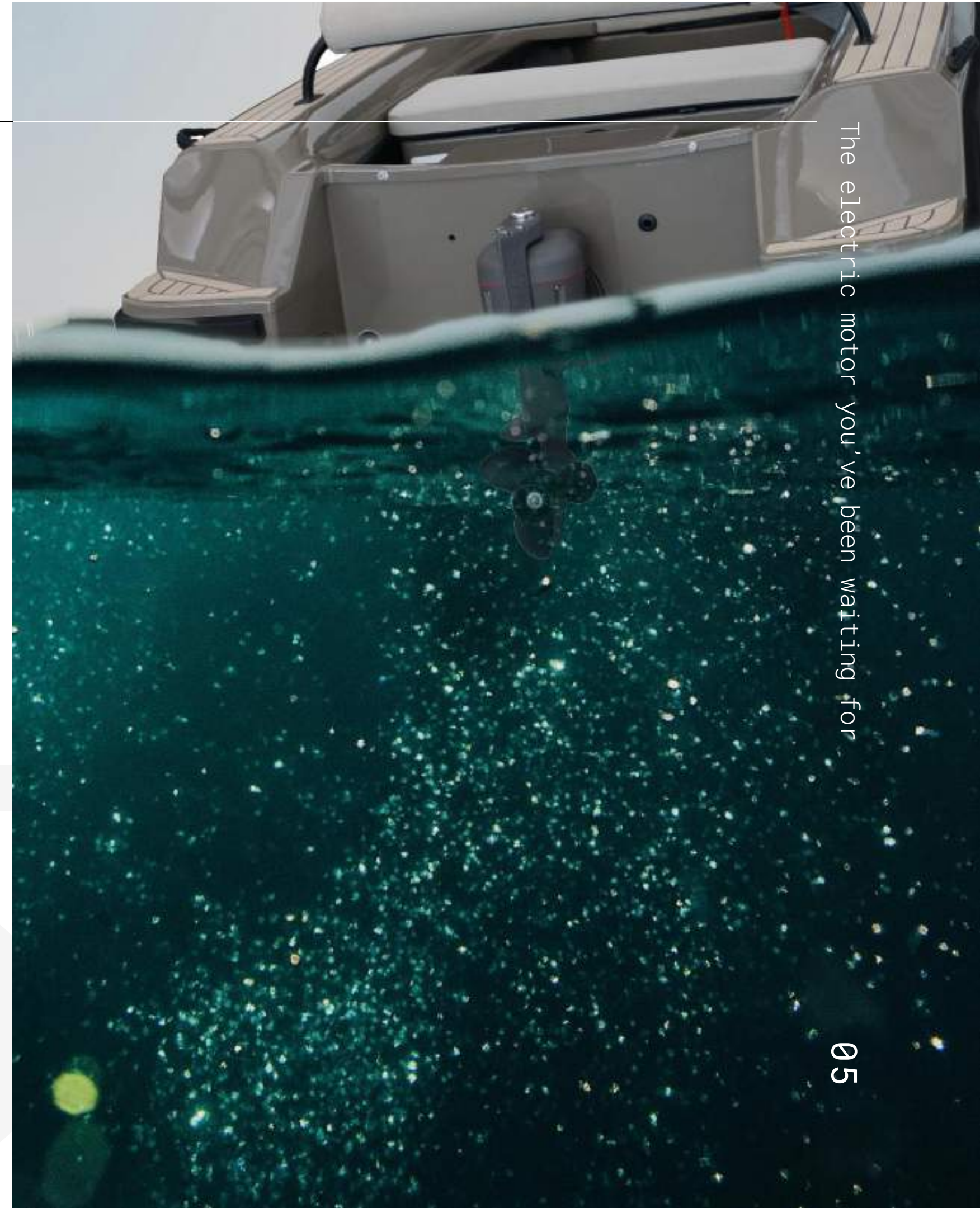
— power on and off at the
touch of a button

— everything under control
with 4,5" color display

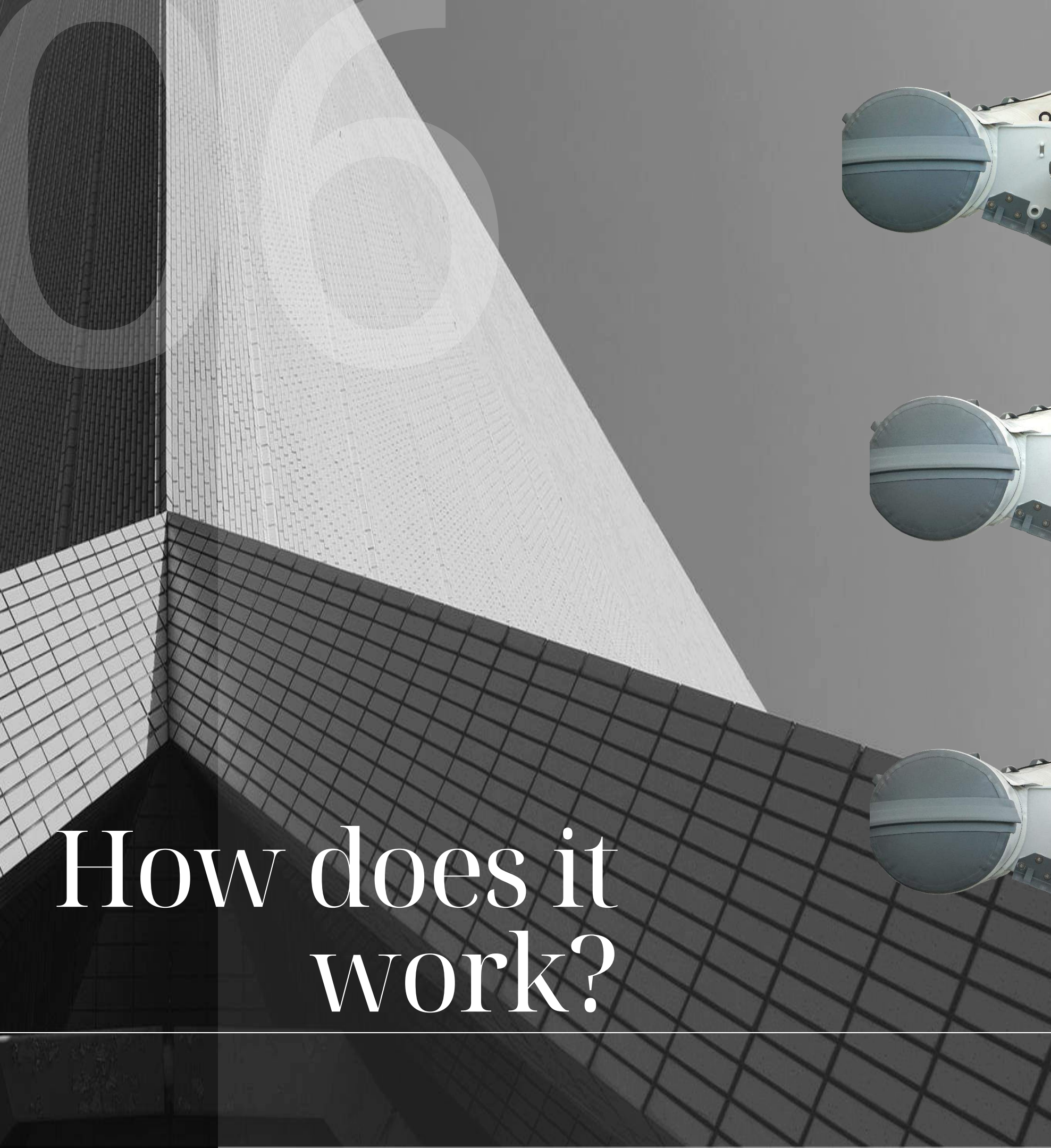
— forward, neutral, reverse
with stainless steel &
anodized aluminum design
throttle

Range

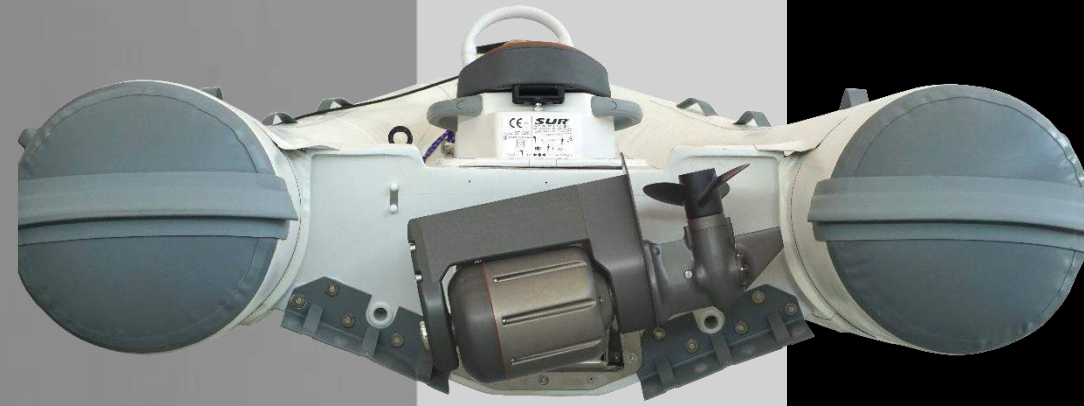
	6hp	10hp	15hp	20hp
Motor type	Brushless PMSM	Brushless PMSM	Brushless PMSM	Brushless PMSM
Voltage	48 V	48 V	48 V	48 V
Max current	95 A	170 A	280 A	330 A
Input power	4500 W	8000 W	12000 W	15000 W
Weight	41 Kg	41 Kg	46 Kg	48 Kg



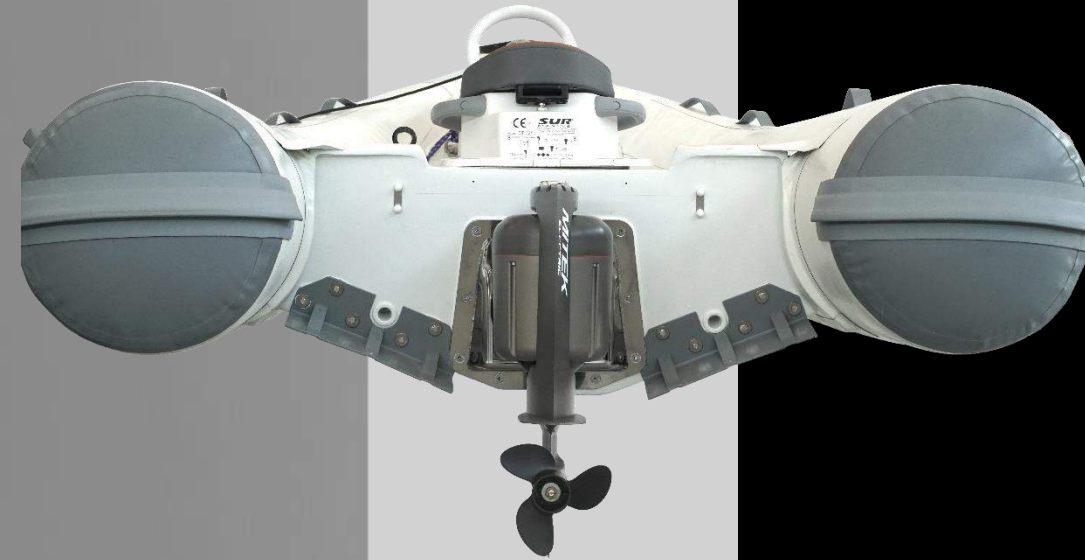
The electric motor you've been waiting for



How does it
work?



OFF



ON



DRIVE

— The electric motor you've been waiting for

01

—
Engineering,
design and
production
made in Italy

02

—
Continuous and
patented
innovation

03

—
40 years of
experience

04

—
quality and
customer
service



What sets
us apart?

07

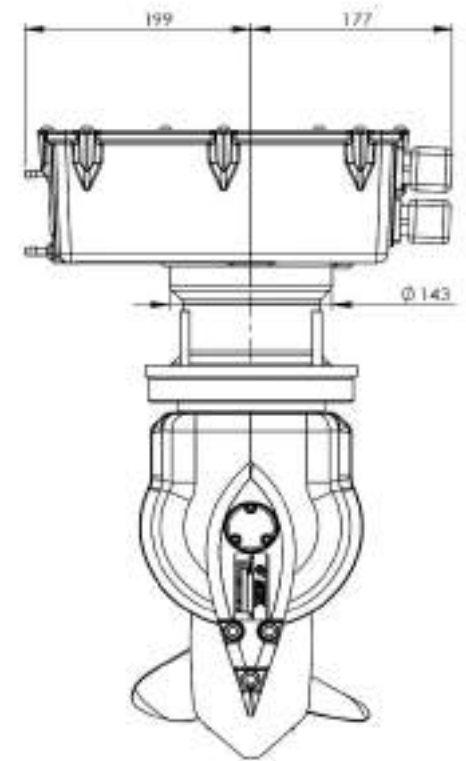
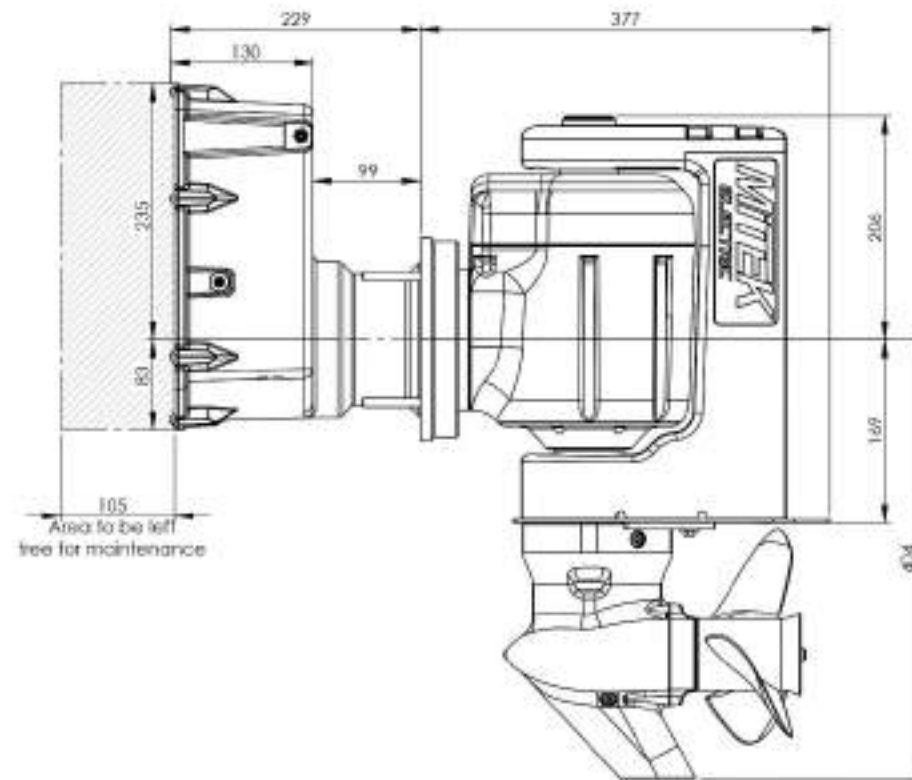
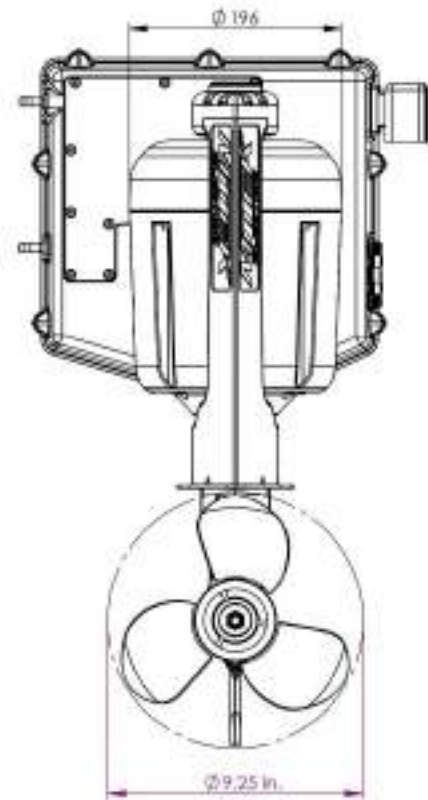
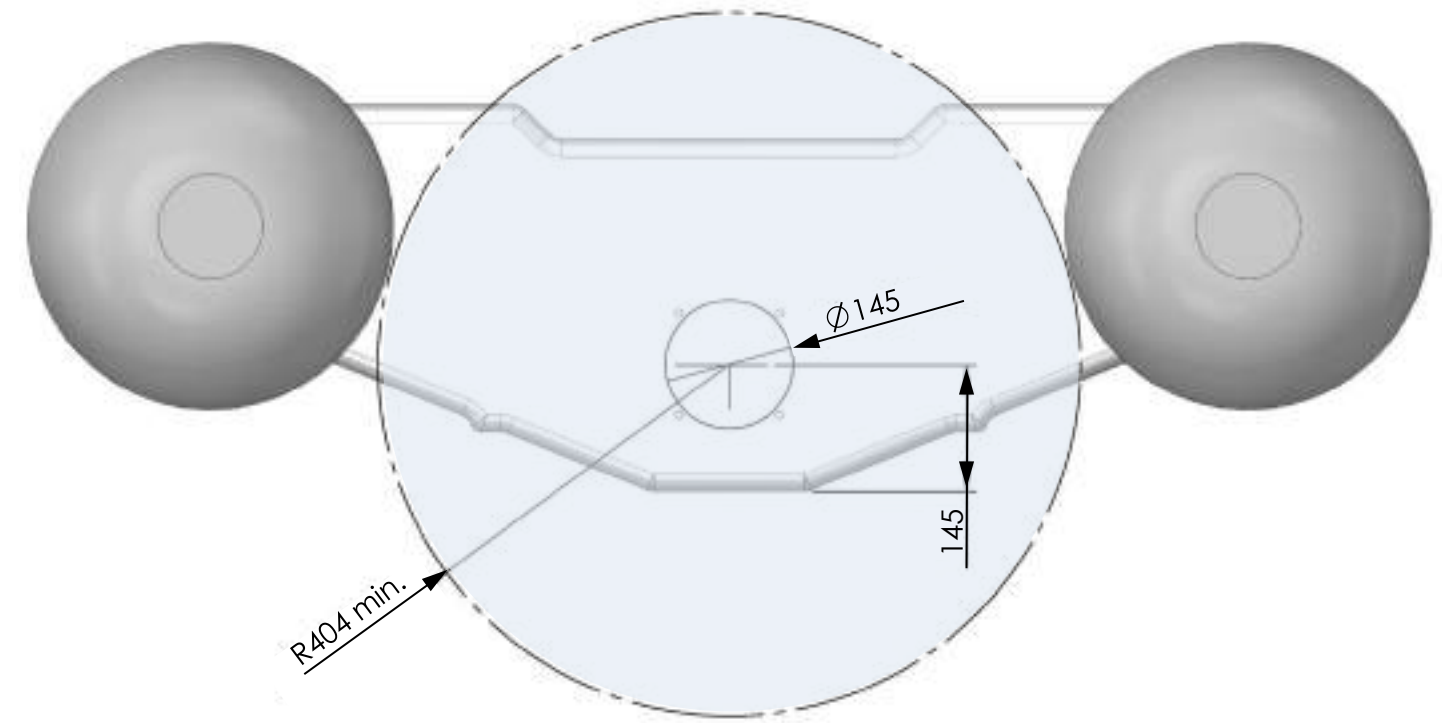
The electric motor you've been waiting for

Performances

- 20,0 knt top speed with 1 person
- 19,5 knt top speed with 2 people
- 12,5 knt gliding speed
- 4 knt, 1.5 kW consumption
- IP67 system

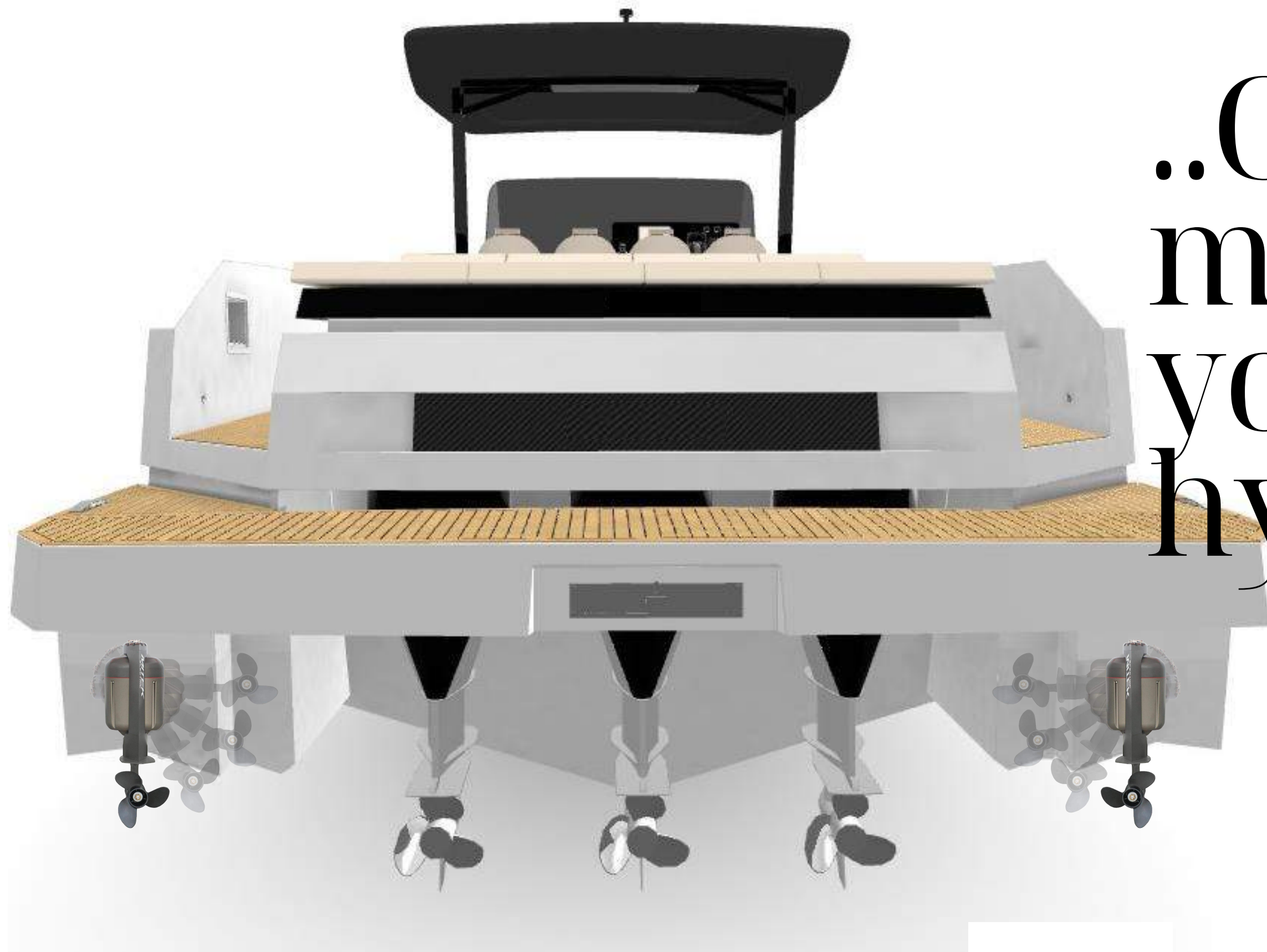
Revolve 15hp
Battery pack 15 kWh

Sized to adapt any tender..



10

..Or to
make
your boat
hybrid



The electric motor you've been waiting for

— Via Frisi, 70
48124 Ravenna - ITALY

— +39 0544 264459

— www.mitekitaly.com

— info@mitekitaly.com
sales@mitekitaly.com

Contact us